

Setup Guide

Doorbell Pro

ring



Quick Start

1. Open the Ring app and select Set Up Device.

Then follow the in-app instructions.

2. Scan this code.

This identifies your Ring device to make setup fast and easy.



For additional help, visit ring.com/help



Included installation hardware.

Bag Hardware

A



(3) 1" Mounting Screws



(3) Wall Anchors

B



(2) 3/16" Security Screws

C



(2) 1-1/4" Short Bracket Screws



(2) 1-1/2" Medium Bracket Screws



(2) 2" Long Bracket Screws



(2) Wall Anchors

D



(2) Wire Nuts



(2) Wire Extenders



(1) Alt Pro Power Kit Cables



(1) 1/8" Terminal Screw

Download the Ring App.

The Ring App walks you through setting up and managing your Ring Video Doorbell Pro.

Search for “Ring” in one of the app stores below, or visit ring.com/app



Set up your Ring Doorbell.

In the Ring app, select **Set Up a Device** and follow the in-app instructions.

Find your doorbell chime.

Your Doorbell Pro is designed to replace an existing doorbell button, and gets its power from the doorbell system.

Ring your existing doorbell and listen for the chime. If it rings, we know your existing doorbell system is working.

Follow the sound to find your chime and make a mental note of the location. We'll return to your chime soon.

Turn off power at the breaker.

This is essential to keeping you and your new Ring Doorbell safe.

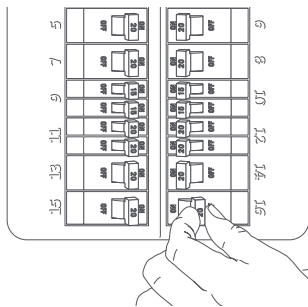
If you're not sure which breaker controls your doorbell chime, turn off the master breaker for your home, or contact an electrician.



CAUTION!

You'll be working with electrical wires during the install process.

If you are uncomfortable or inexperienced with doing so, consult with a licensed electrician.



Grab the included Pro Power Kit.

The Pro Power Kit ensures that your Ring Doorbell gets the power it needs, and must be installed before you install your Ring Doorbell.

Your Ring Doorbell is compatible with doorbell systems supplying 16–24 volts AC at 50 or 60Hz, 40VA max.



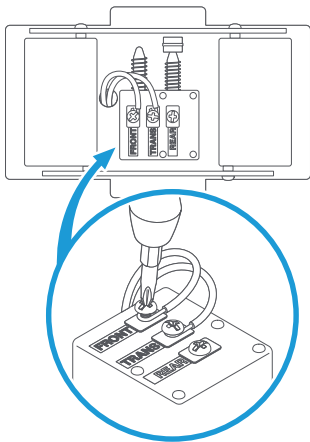
If you have an existing Pro Power Kit already installed, you must use the new one included with your new doorbell.

Remove the cover from your doorbell chime.

After you've turned off power at the breaker, remove the cover from your chime and set it aside for now.

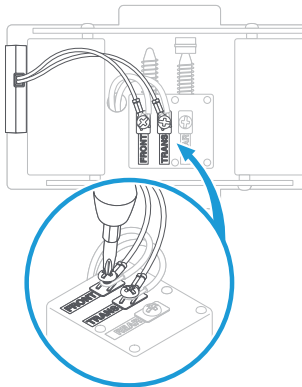
Loosen the "Front" and "Trans" terminal screws.

Make sure to keep the existing doorbell wires in place.



Connect the Pro Power Kit wires.

Connect one wire from the Pro Power Kit to the “Front” terminal, and the other to the “Trans” terminal. It doesn’t matter which wire you connect to which terminal. Then re-tighten the terminal screws.



Position the Pro Power Kit and replace the cover.

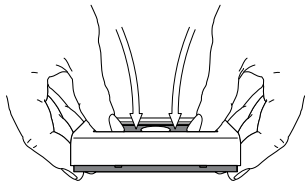
Place it within your internal doorbell, away from any moving parts.

Uninstall your existing doorbell button.

Remove your doorbell from the wall and disconnect the wires. Make sure they don't fall back inside your wall so you can access them later.

Remove the faceplate.

Grasp the edges of the faceplate and push gently against the front of the Doorbell to remove.

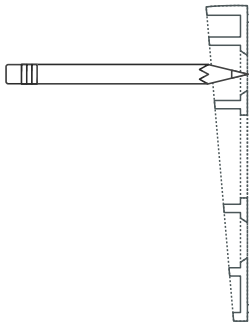


Install the included Corner or Wedge Mount. (optional)

The Corner and Wedge Mounts can angle your Ring Doorbell to improve motion detection and provide a better view.

First, position your chosen mount on your wall, and feed your doorbell wires through the center hole. Then mark two mounting holes on your wall through the slots on your Corner or Wedge Mount.

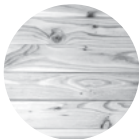
(Skip to page 14 if you don't plan on using the Corner or Wedge Mounts.)



Install the anchors. (optional)

On stucco, brick, or concrete, use a 1/4" masonry bit to drill holes in your wall, then insert the included wall anchors.

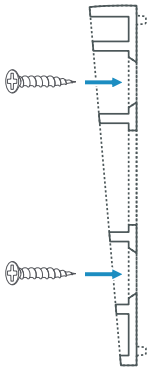
(If you're installing on wood or siding, you can skip this step.)



Screw in the Corner or Wedge Mount.

Using the short bracket screws, secure the Corner or Wedge Mount to the wall.

You'll use the 1" mounting screws to attach your Doorbell to the bracket later.



If you need both vertical and horizontal adjustment, you can stack the Corner and Wedge Mounts and mount them both with the medium or long bracket screws.

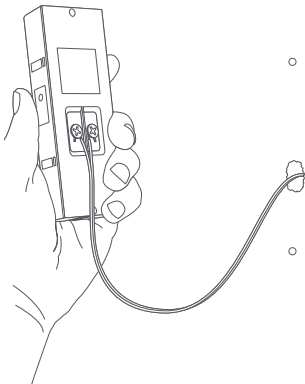


DO NOT USE any screw other than the included 1" mounting screws when securing your Ring Doorbell.

Connect the doorbell wires.

Loop one doorbell wire around each of the screw terminals on the rear of your Ring Doorbell then tighten the terminals to secure.

If your doorbell wires are too short to reach your new Ring Doorbell, you can attach the included wire extenders using the included wire nuts.



Mount your Ring Doorbell to the Corner or Wedge Mount.

Secure your Ring Doorbell to the Corner or Wedge Mount with two of the included 1" mounting screws.

Be sure to feed any excess wiring back into the wall first. If you used the wire nuts, push them through the hole as well.

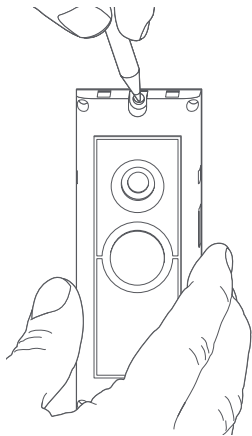
Once you're done, skip ahead to page 18.



DO NOT USE any screw other than the included 1" mounting screws when securing your Ring Doorbell.

Mark the screw holes.

Using your Ring Doorbell as a template, mark the location of the two mounting holes on your wall.



Install the anchors. (optional)

On stucco, brick, or concrete, use a 1/4" masonry bit to drill holes in your wall, then insert the included wall anchors.

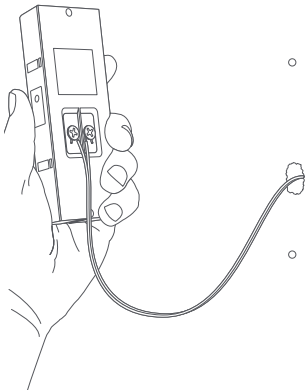
(If you're installing on wood or siding, you can skip this step.)



Connect the doorbell wires.

Loop one doorbell wire around each of the screw terminals on the rear of your Ring Doorbell then tighten the terminals to secure.

If your doorbell wires are too short to reach your new Ring Doorbell, you can attach the included wire extenders using the included wire nuts.



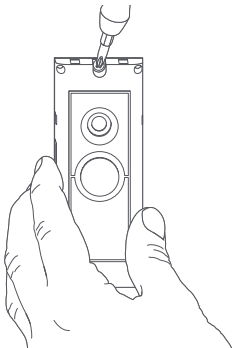
Screw in your Ring Doorbell.

Mount your Ring Doorbell with two of the included 1" mounting screws.

Be sure to feed any excess wiring back into the wall first. If you used the wire nuts, push them through the hole as well.



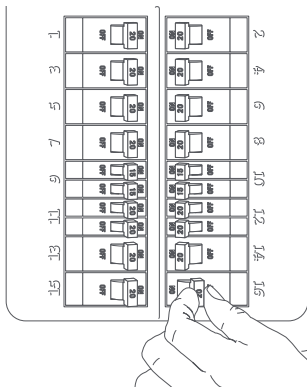
DO NOT USE any screw other than the included 1" mounting screws when securing your Ring Doorbell.



Restore power at the breaker.

It may take a moment for your Ring Doorbell to power on.

You'll know it's ready once it lights up and speaks to you.



Secure your Ring Doorbell.

Re-attach the faceplate, then use the included screwdriver to insert and tighten one of the 3/16" Security Screws.



CAUTION!

If you use the wrong screws to secure the Ring Doorbell, you could damage the battery during installation, create a fire hazard, and be seriously injured.



3/16"
Security
Screw

Free Ring Protect Plan for 30 days.

Your new device comes with a free, 30-day trial of **Ring Protect**. This comprehensive subscription service lets you review, save, and share your video and photo history anytime so you never miss a moment.*

To continue using Ring Protect after your free trial ends, visit ring.com/protect-plans to compare plans and pricing.



**Your free trial isn't applicable for locations with an existing Ring Protect subscription. See ring.com/protect-plans to learn more about your plan's retention period.*



For additional help, visit
ring.com/help

Or give us a call

US 1 800 656 1918

Canada 1 855 300 7289

Worldwide +1 310 929 7085

For a list of all our customer
support numbers, visit
ring.com/callus

For information on our warranty, theft protection,
and Ring Protect Plans, visit ring.com/legal

© 2022 Ring LLC or its affiliates.

Ring and all related marks are trademarks
of Ring LLC or its affiliates.

XX-XXXXXX-XX