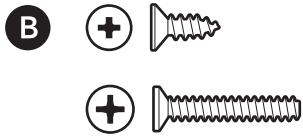
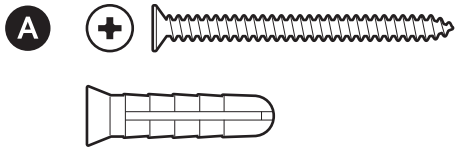
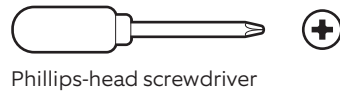
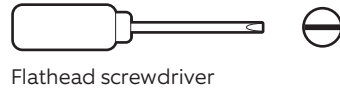


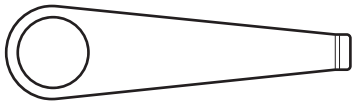
Hardware included



Tools needed



Tools included



Removal tool

1.

Remove the protective wrap.



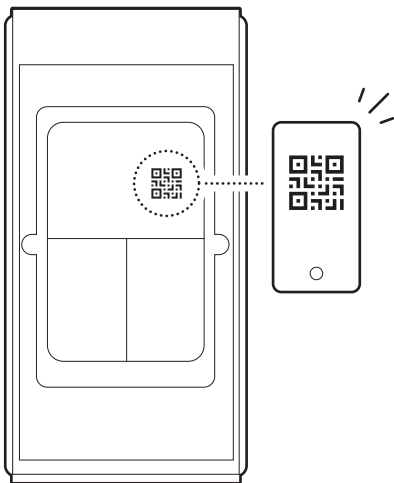
2.

Download the Ring app.



3.

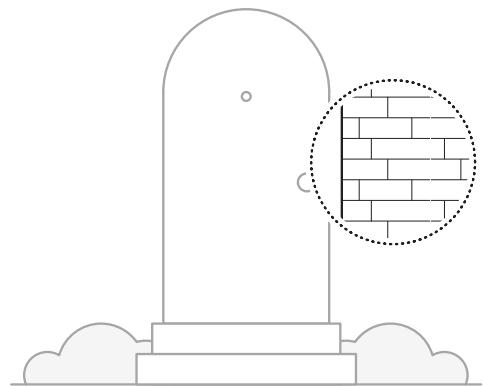
Scan the QR code on your device.



4.

Assess your wall's construction.

**NOTE:** Depending on your wall's construction, you may be required to install the included electrical box or another suitable electrical box. If connecting your doorbell to an in-home chime or access controller, installation by a low-voltage contractor is recommended.

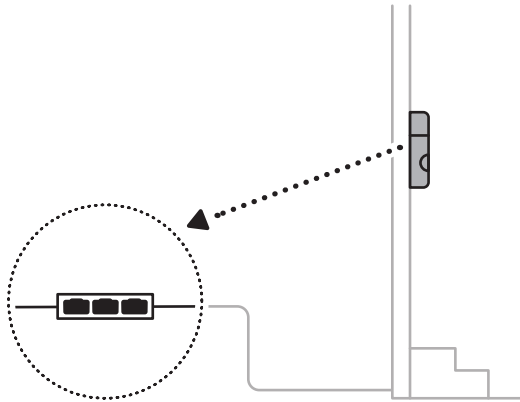


## Electrical box installation

### 1.

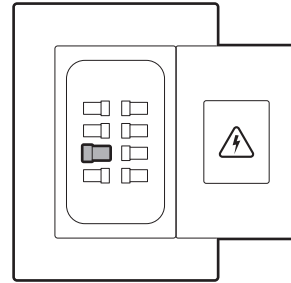
Choose a location less than 100 m from your PoE switch or injector.

**NOTE:** Before installation, ensure your Power over Ethernet (PoE) switch or injector capable of PoE+ (802.03at) is active and connected to a functioning Category 5e or higher Ethernet cable.



### 2.

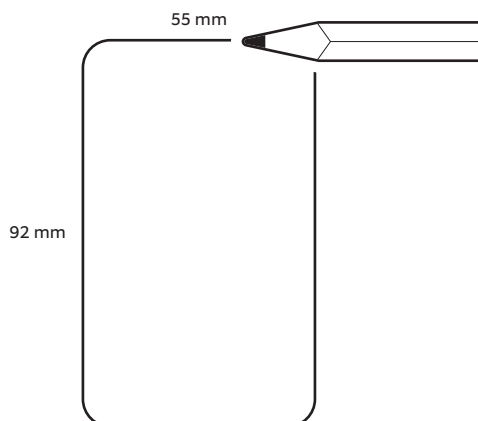
(Optional) If connecting your doorbell to an existing in-home chime or access controller system, shut off power at the breaker.



### 3.

(Optional) Depending on your wall's construction, you may need to replace your existing electrical box with an enclosed electrical box (not included).

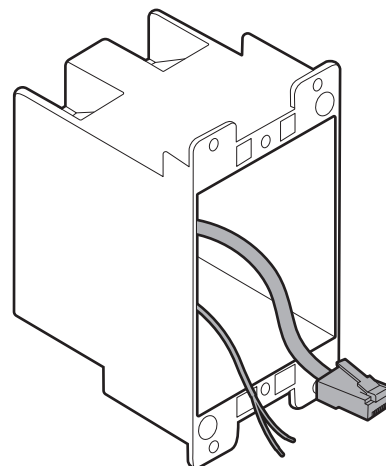
**NOTE:** Use the included template to trace and cut a rectangular hole in the wall at your desired installation location for an enclosed electrical box, if necessary.



### 4.

Route your Ethernet cable and any existing wires to the opening and through the center of the electrical box.

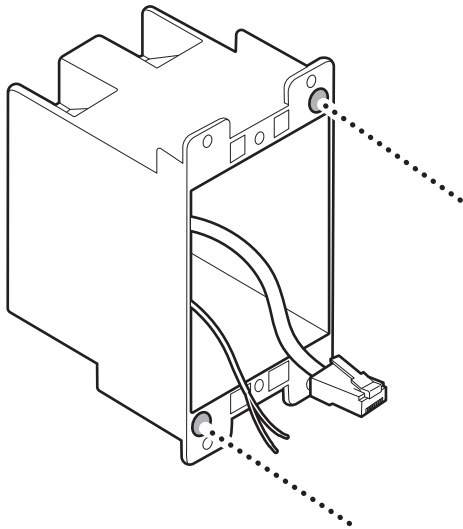
**NOTE:** The cable and wiring must be routed from inside your wall.



5.

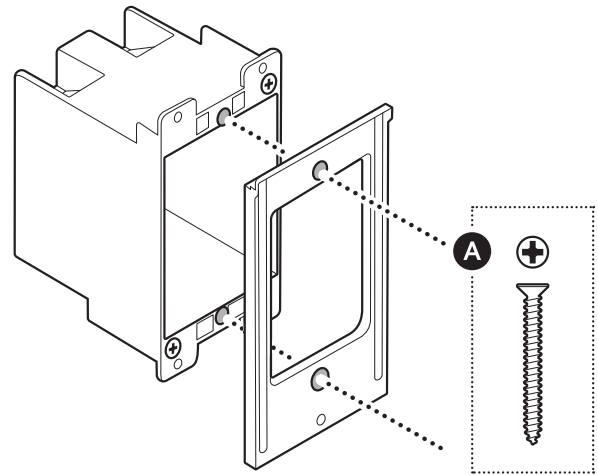
Use the included screws to install the electrical box.

**NOTE:** The wing clamps will rotate as the screws turn to secure the electrical box in place.



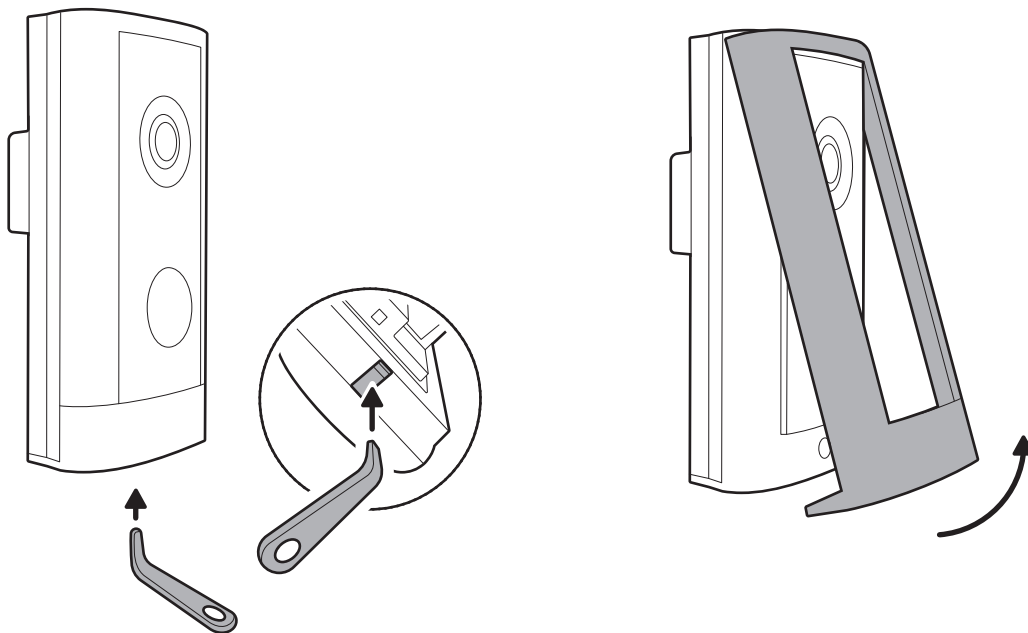
6.

Install the mounting bracket onto the electrical box.



7.

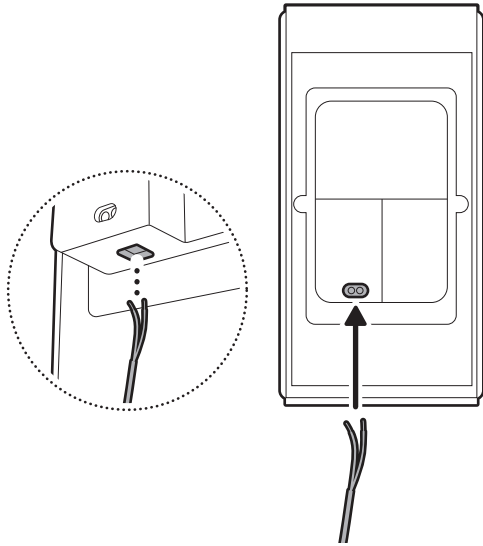
Use the removal tool to remove your doorbell's faceplate.



## 8.

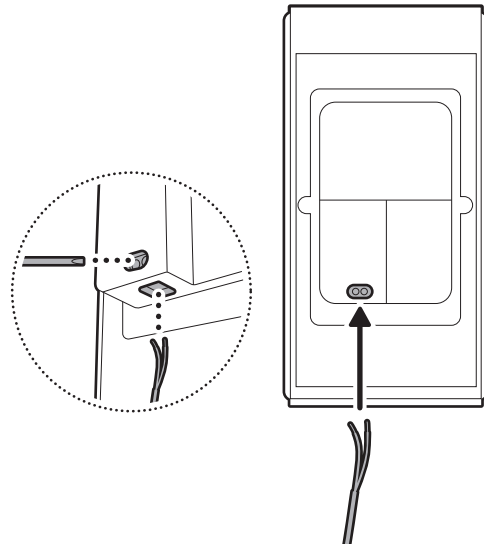
(Optional) If connecting to an existing chime, ensure it is compatible (8 to 24VAC 8 to 40VA) before using a flathead screwdriver to connect the wiring to your doorbell's wire terminals.

**NOTE:** Do not connect existing doorbell wiring if connecting to an existing access control system.



(Optional) If connecting to an existing access control system, ensure it is compatible (24V 2A) before using a flathead screwdriver to secure the wiring to your doorbell's wire terminals.

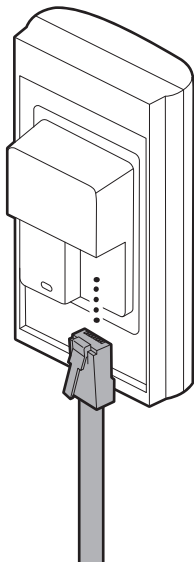
**NOTE:** Do not connect existing access control system wiring if connecting to an existing in-home chime.



## 9.

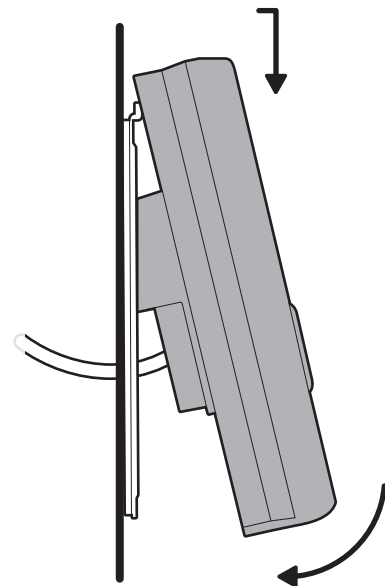
Plug the Ethernet cable into the back of your doorbell.

**NOTE:** When properly connected, the front light will begin spinning.



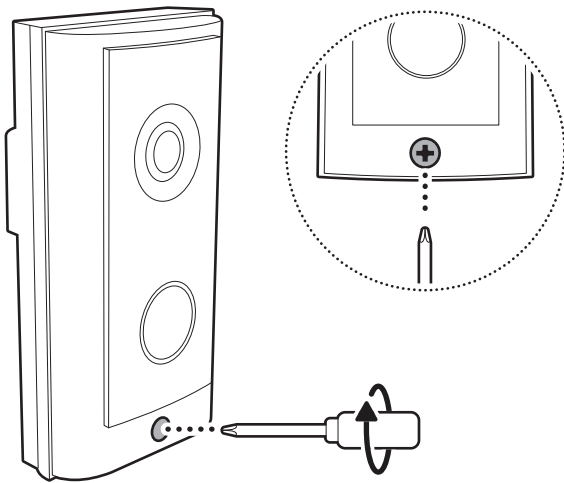
## 10.

Tuck the wires into the wall, then hook your doorbell over the mounting bracket to attach.



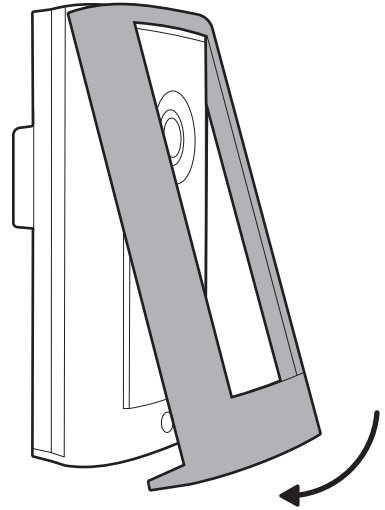
11.

Tighten the security screws.



12.

Reattach your doorbell's faceplate.

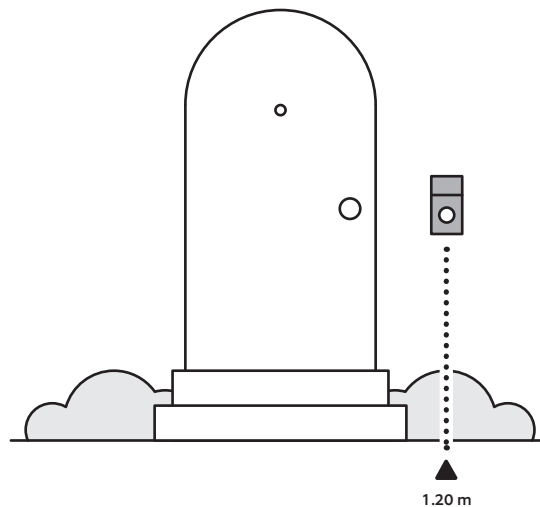


## Surface mount installation

1.

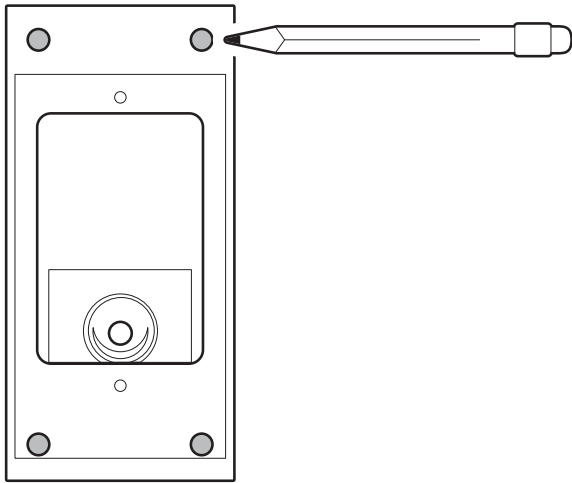
Choose a location.

**NOTE:** The surface mount can be installed on a flat surface or directly over existing wiring.



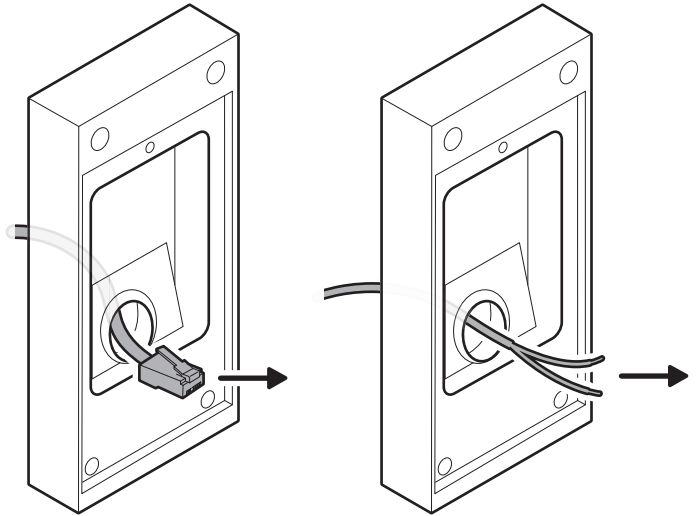
2.

Use the surface mount as a guide to mark screw holes on the wall.



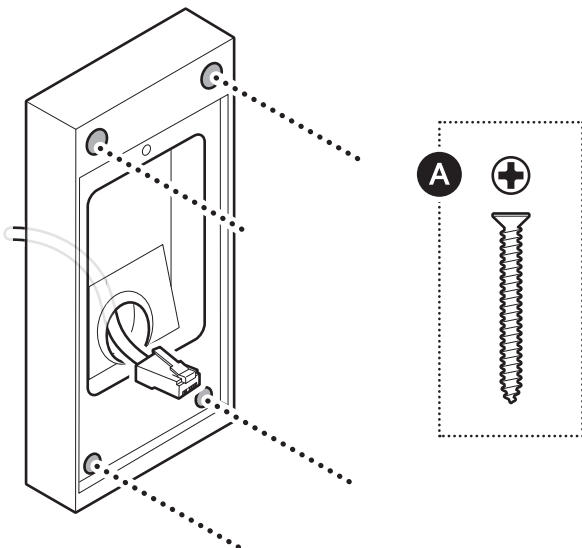
3.

Route the wiring through the center hole, ensuring cables are not pinched or kinked.

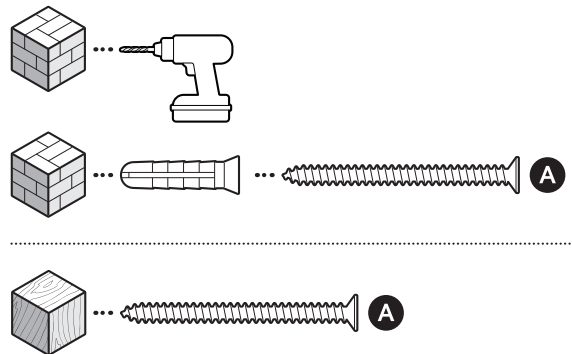


4.

Install the surface mount with the included screws.

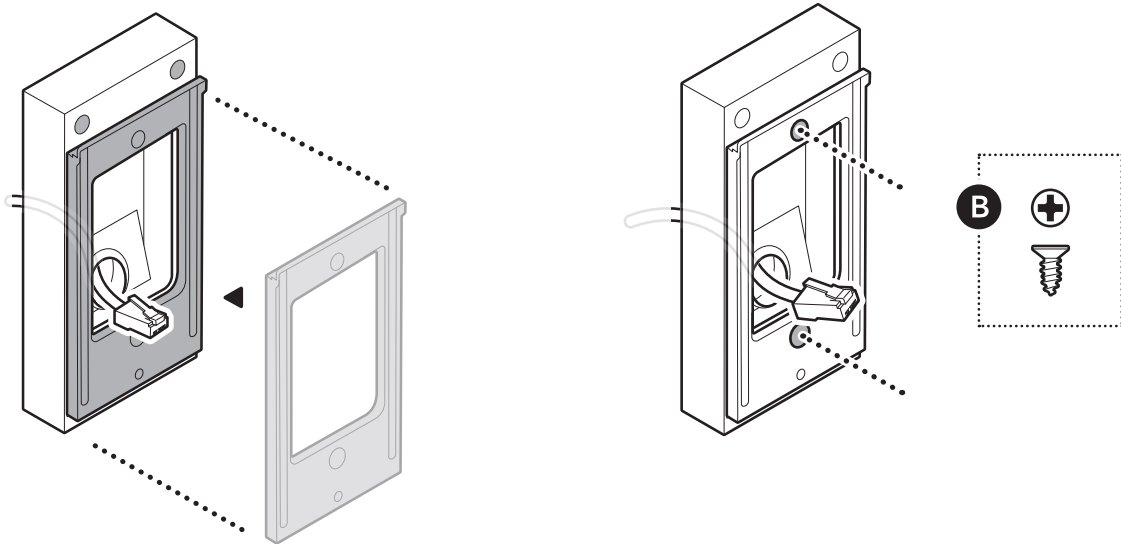


On stucco, brick, or concrete, use a 1/4 in (6 mm) masonry bit to drill holes for the included wall anchors.



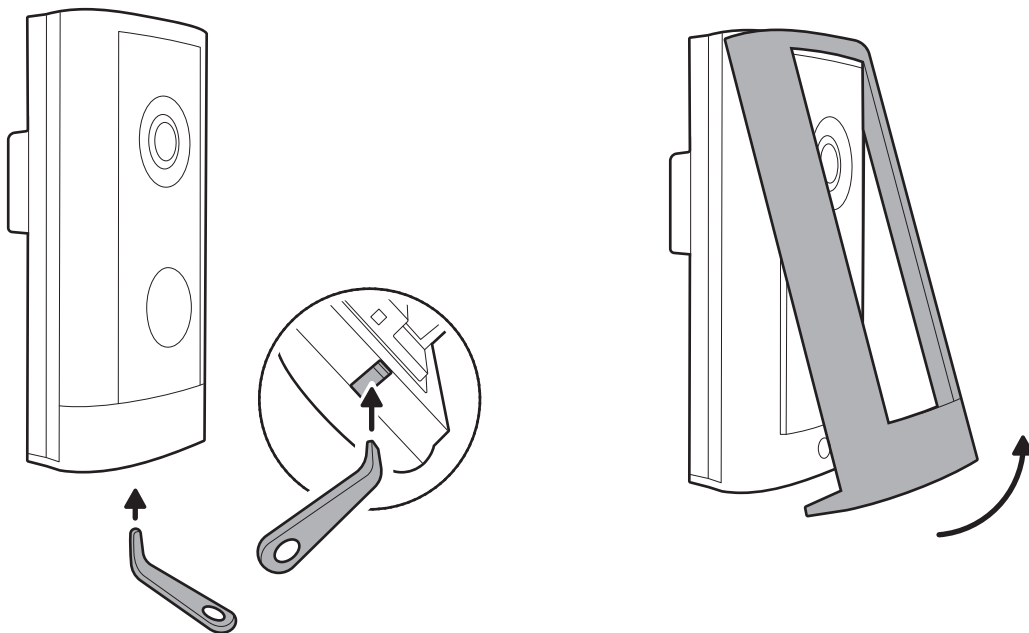
5.

Attach your doorbell's mounting bracket to the surface mount with the included screws.



6.

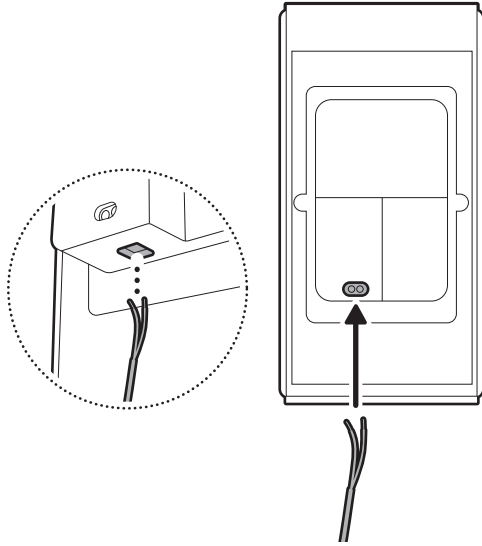
Use the removal tool to remove your doorbell's faceplate.



## 7.

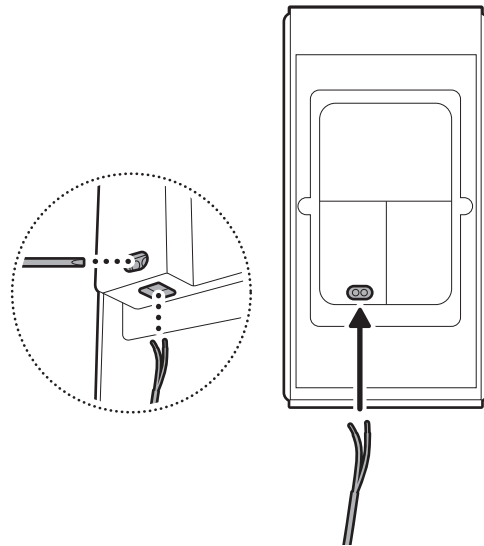
(Optional) If connecting to an existing chime, ensure it is compatible (8 to 24VAC 8 to 40VA) before using a flathead screwdriver to connect the wiring to your doorbell's wire terminals.

**NOTE:** Do not connect existing doorbell wiring if connecting to an existing access control system.



(Optional) If connecting to an existing access control system, ensure it is compatible (24V 2A) before using a flathead screwdriver to secure the wiring to your doorbell's wire terminals.

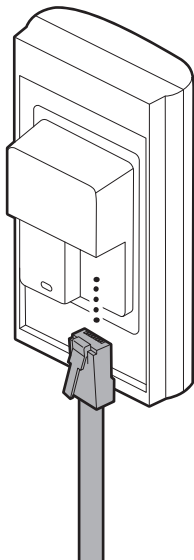
**NOTE:** Do not connect existing access control system wiring if connecting to an existing in-home chime.



## 8.

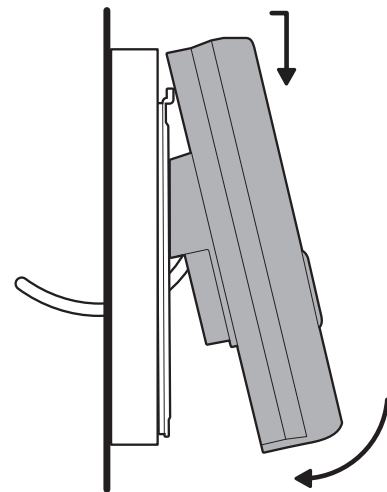
Plug the Ethernet cable into the back of your doorbell.

**NOTE:** When properly connected, the front light will begin spinning.



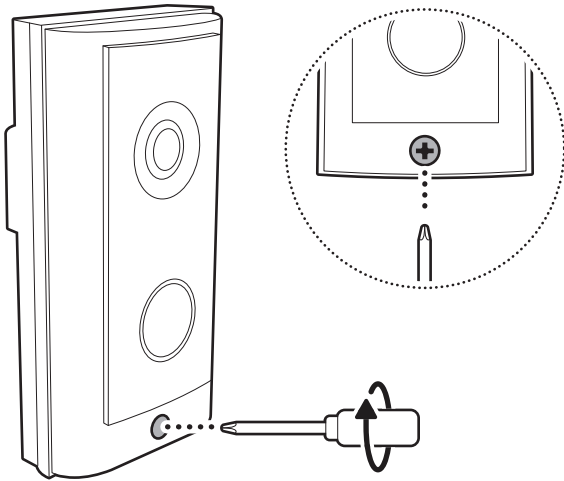
## 9.

Tuck the wires into the wall, then hook your doorbell over the mounting bracket to attach.



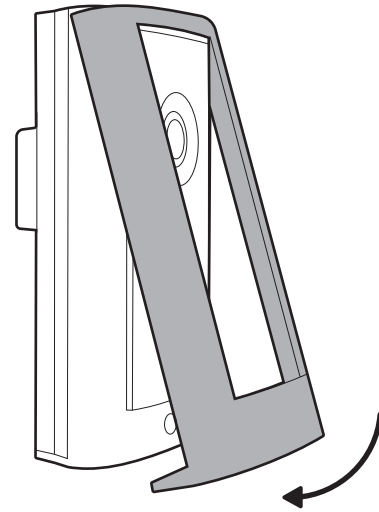
10.

Tighten the security screws.



11.

Reattach your doorbell's faceplate.

[ring.com/contact](https://ring.com/contact)[ring.com/help](https://ring.com/help)

Ring LLC 12515 Cerise Ave, Hawthorne, CA, 90250 USA

Ring LLC / Amazon EU S.à.r.l., 38 Avenue John F. Kennedy, L-1855  
Luxembourg / Amazon UK, 1 Principal Place, Worship Street,  
London, EC2A 2FA, United KingdomRing LLC ميني 12515 طريق سيريس، هاوثورن، كاليفورنيا،  
90250، الولايات المتحدة الأمريكية©2026 Ring LLC or its affiliates. Ring and all related  
marks are trademarks of Ring LLC or its affiliates.