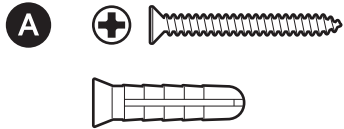
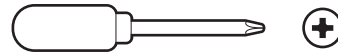


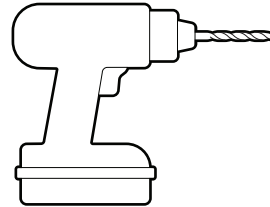
Hardware included



Tools needed



Phillips-head screwdriver



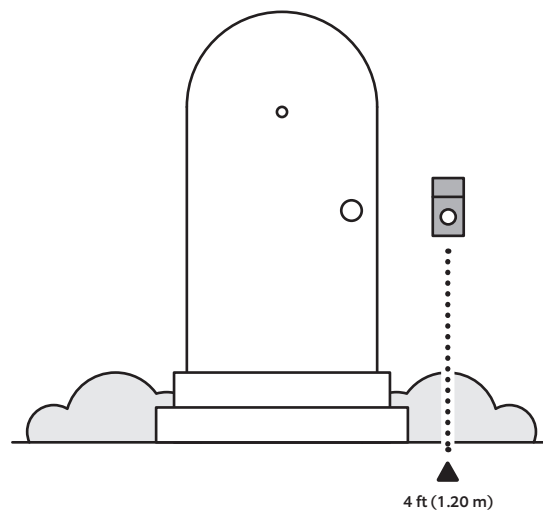
Drill with a 1/4 in (6 mm) masonry bit (optional)

Installation

1.

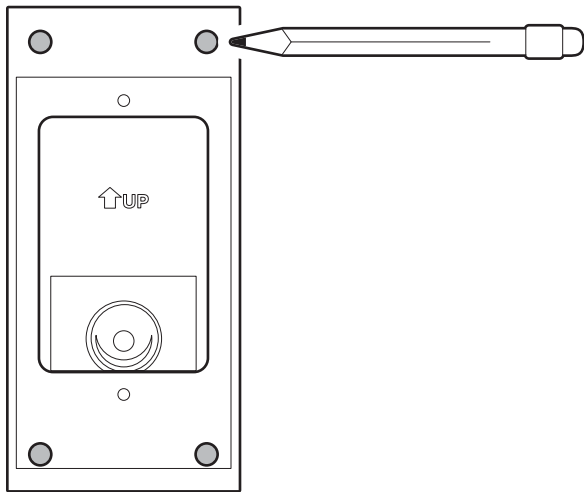
Choose a location.

NOTE: The surface mount can be installed on a flat surface or directly over existing wiring.



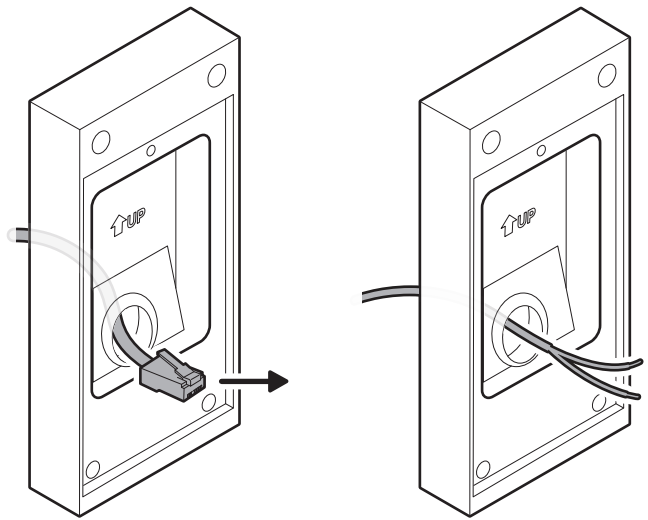
2.

Use the surface mount as a guide to mark screw holes on the wall.



3.

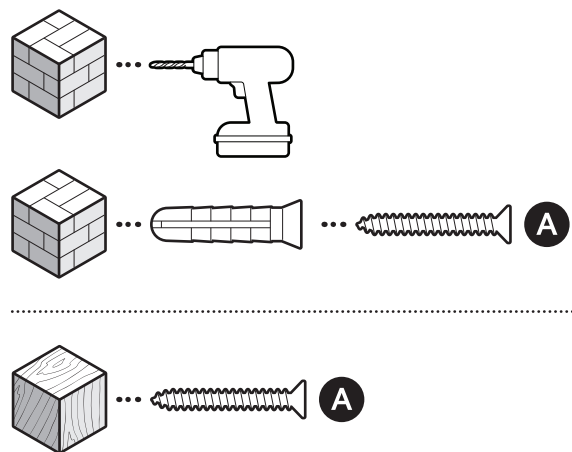
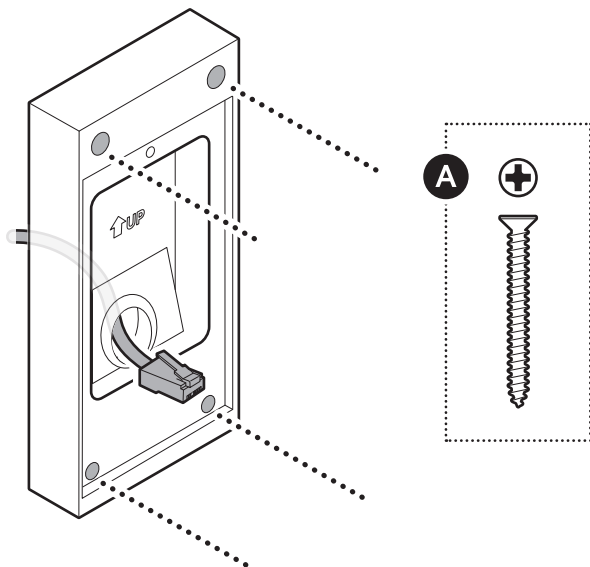
Route the wiring through the center hole, ensuring cables are not pinched or kinked.



4.

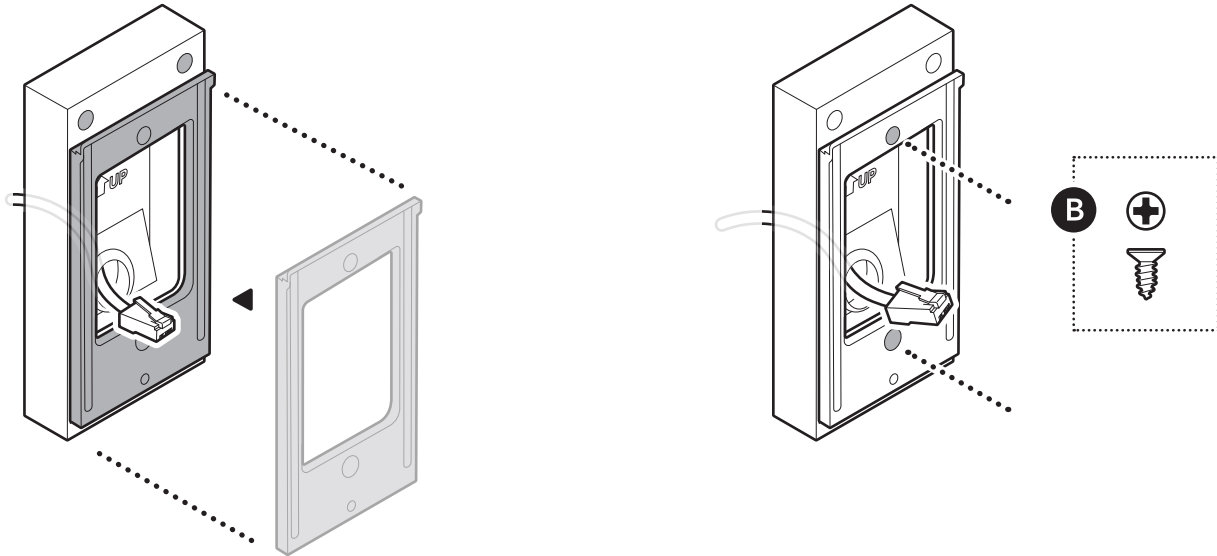
Install the surface mount with the included screws.

On stucco, brick, or concrete, use a 1/4 in (6 mm) masonry bit to drill holes for the included wall anchors.





5.

Attach your doorbell's mounting bracket to the surface mount with the included screws.



6.

Follow your doorbell's setup guide to complete setup.

-  ring.com/contact
-  ring.com/help

