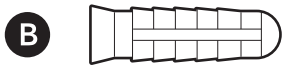
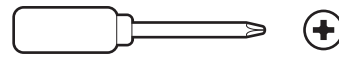


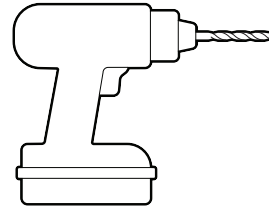
## Hardware included



## Tools needed



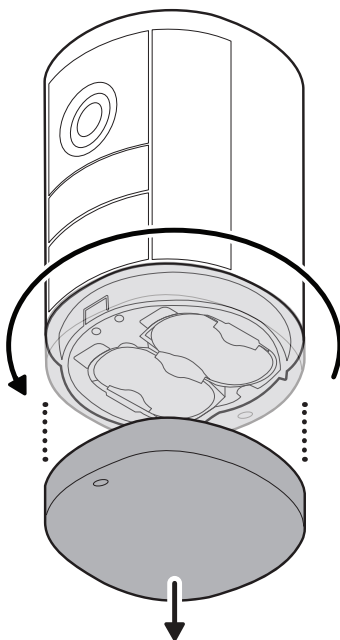
Phillips-head screwdriver



Drill with 1/4 in (6 mm) masonry bit (optional)

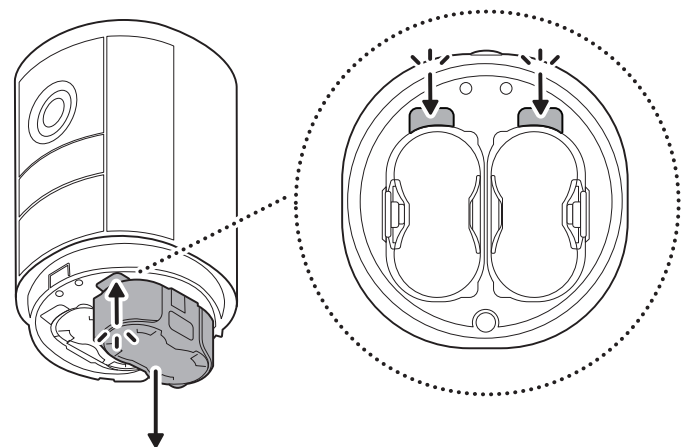
1.

Twist the battery cover counterclockwise to open the battery cover.



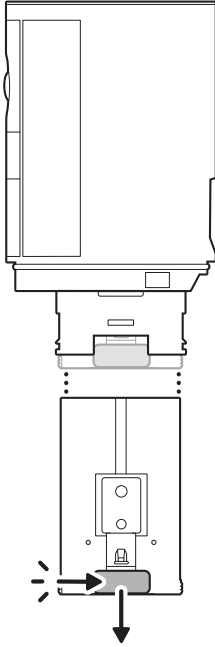
2.

Click the ejector button to eject the battery housing.



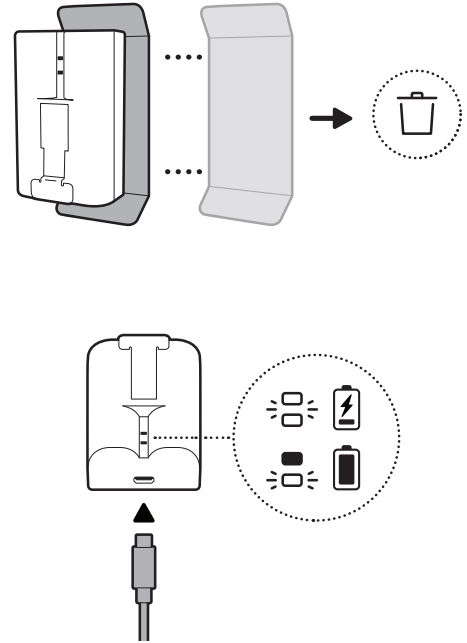
3.

Push the tab to remove the battery.



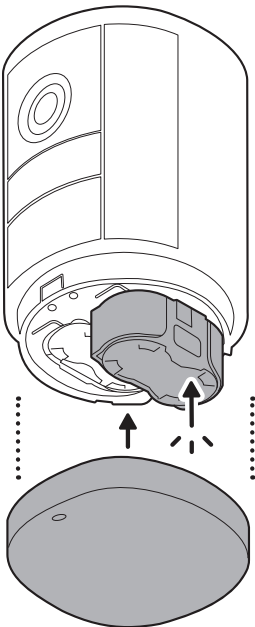
4.

Discard the battery insulator and fully charge the battery.



5.

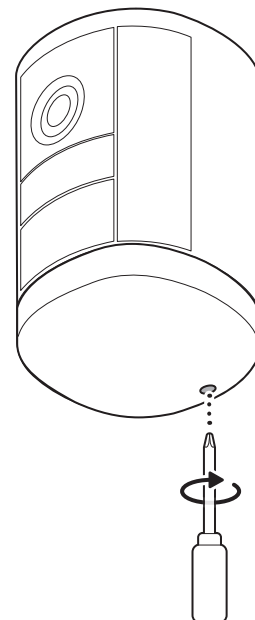
Insert the battery and twist to close the battery cover to the locked position.



6.

Tighten the security screw on the battery cover.

**CAUTION!** The security screw creates a seal to prevent damage from rain or humidity. Always tighten it when replacing the battery.



7.

Download the Ring Always Home app.



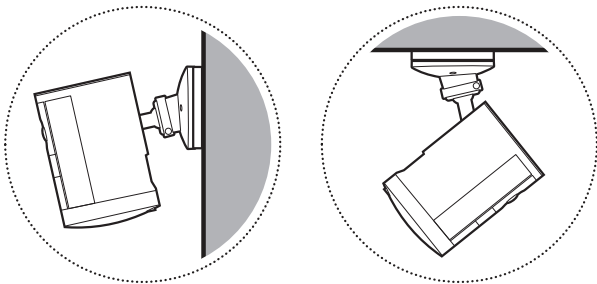
8.

Scan the QR code on your device.



9.

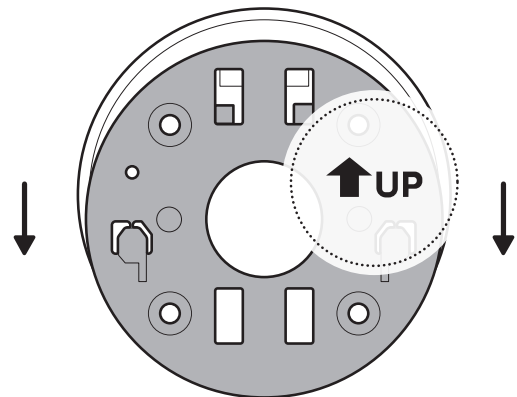
Choose a location.



## Wall installation

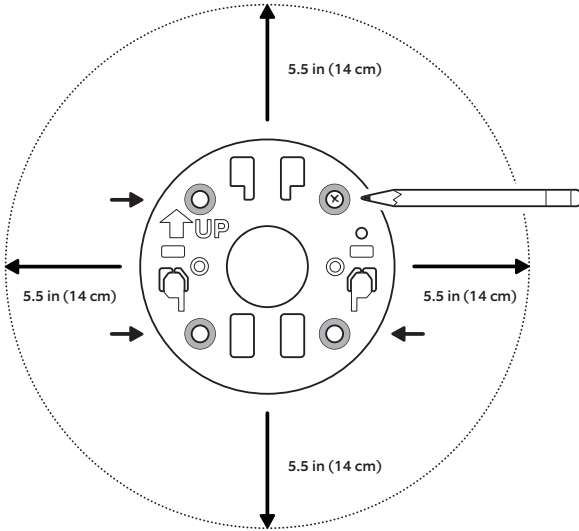
1.

Slide the mounting plate in the direction opposite to the UP arrow to remove.



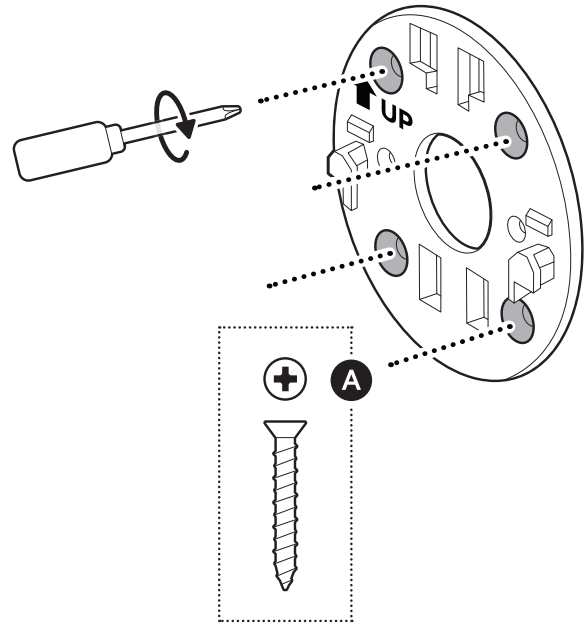
2.

Use the mounting plate as a guide to mark screw holes on the wall with 5.5 in (14 cm) of space in every direction.

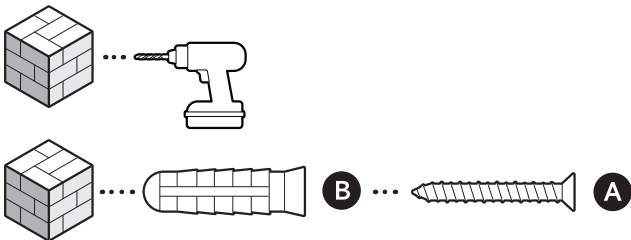


3.

Install the mounting plate with the UP arrow pointing up.

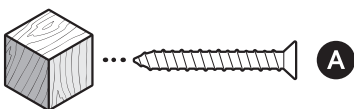
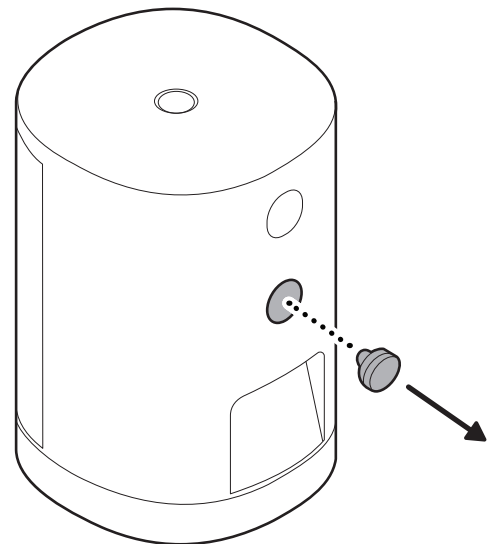


On stucco, brick, or concrete, use a 1/4 in (6 mm) masonry bit to drill holes for the included wall anchors.



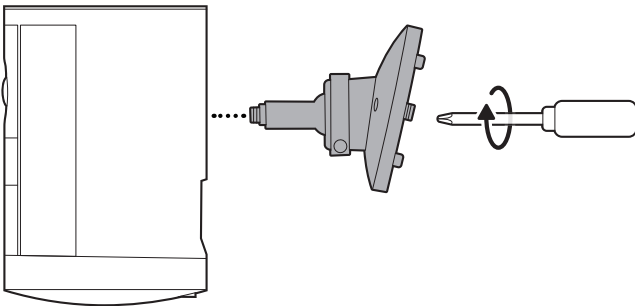
4.

Remove the middle rubber cap on the back of your camera.



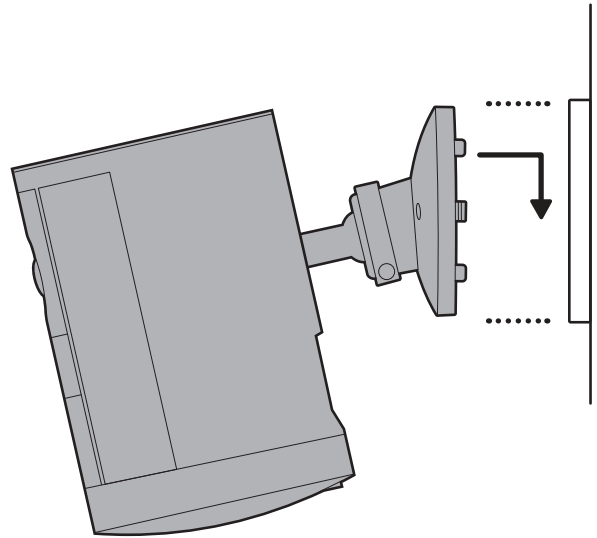
5.

Attach the camera mount to the back of your camera with its screw.



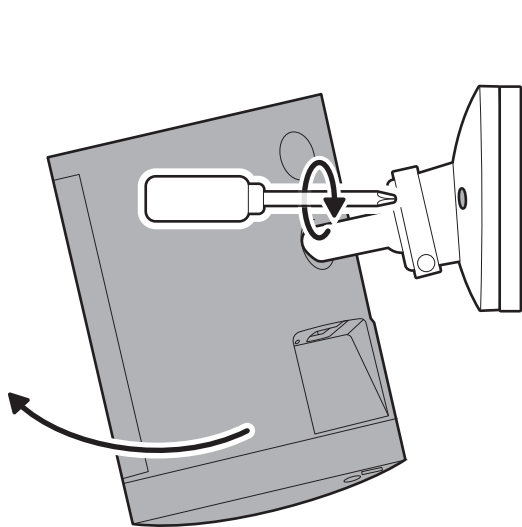
6.

Secure your camera to the mounting plate by sliding until you feel a click.



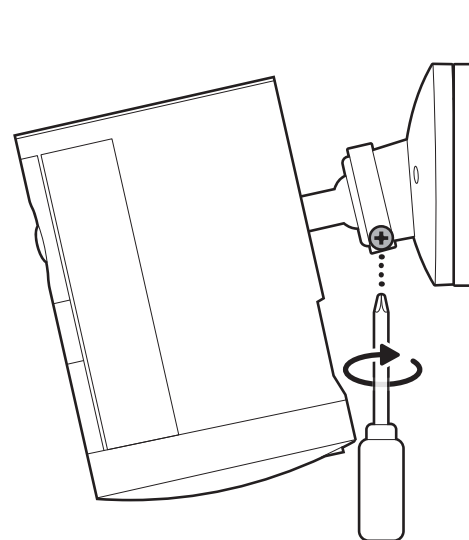
7.

Rotate your camera and tighten the security screw.



8.

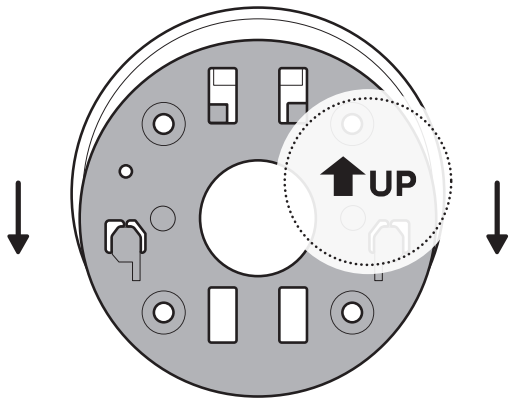
Adjust your camera's position and tighten the ball joint to secure in place.



## Ceiling installation

1.

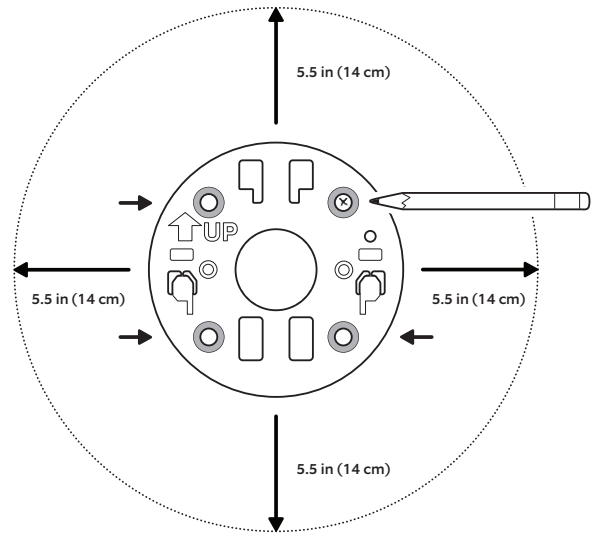
Slide the mounting plate in the direction opposite to the UP arrow to remove.



2.

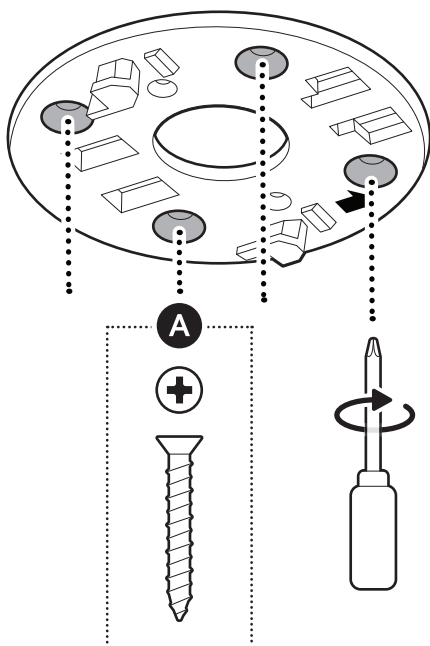
Use the mounting plate as a guide to mark screw holes on the ceiling with 5.5 in (14 cm) of space in every direction.

**NOTE:** For best results, avoid locations with nearby objects that can interfere with your camera's field of view.

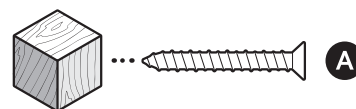
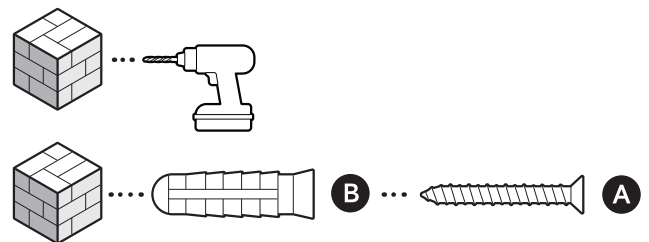


3.

Install the mounting plate with the UP arrow pointing toward your desired viewing direction.

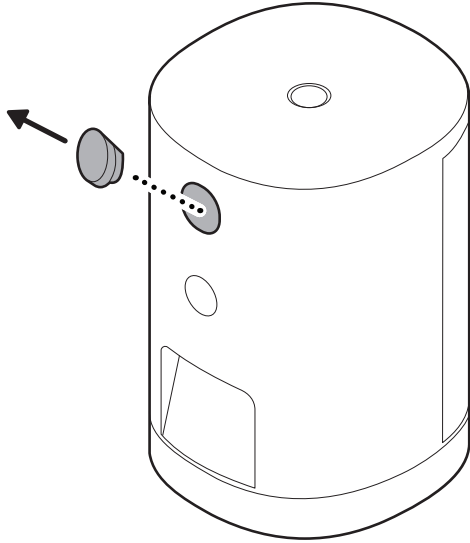


On stucco, brick, or concrete, use a 1/4 in (6 mm) masonry bit to drill holes for the included wall anchors.



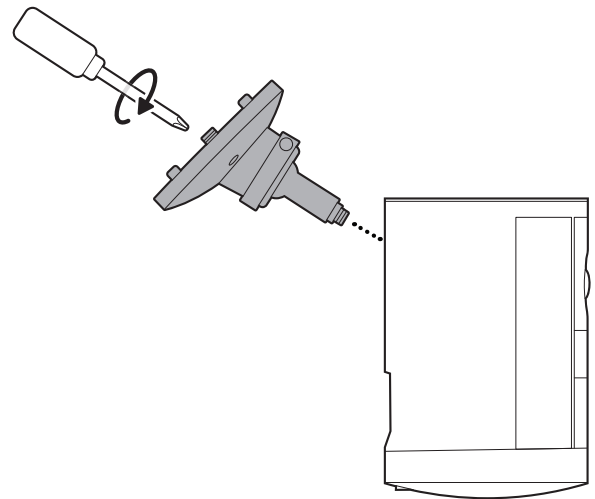
4.

Remove the top rubber cap on the back of your camera.



5.

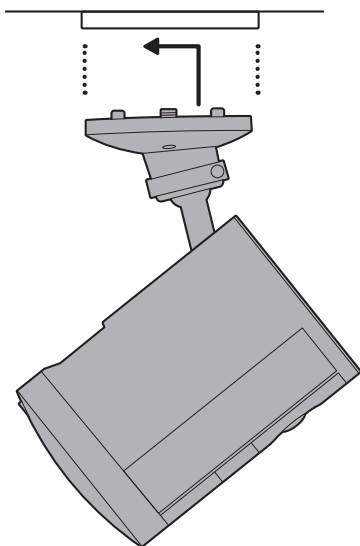
Attach the camera mount to the back of your camera with its screw.



6.

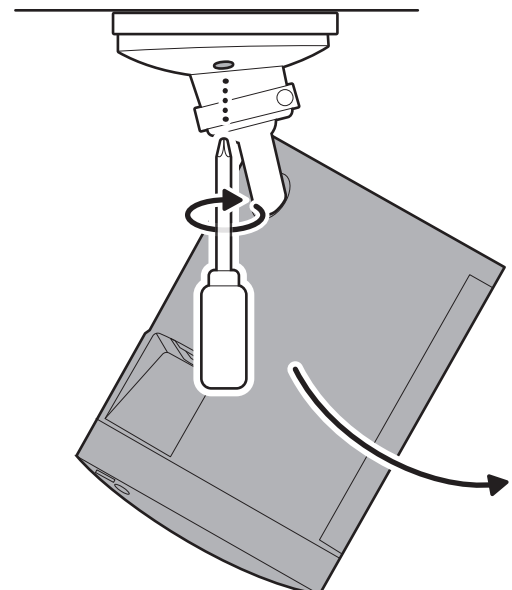
Secure your camera to the mounting plate by sliding until you feel a click.

**NOTE:** Your camera should be in an upright position.



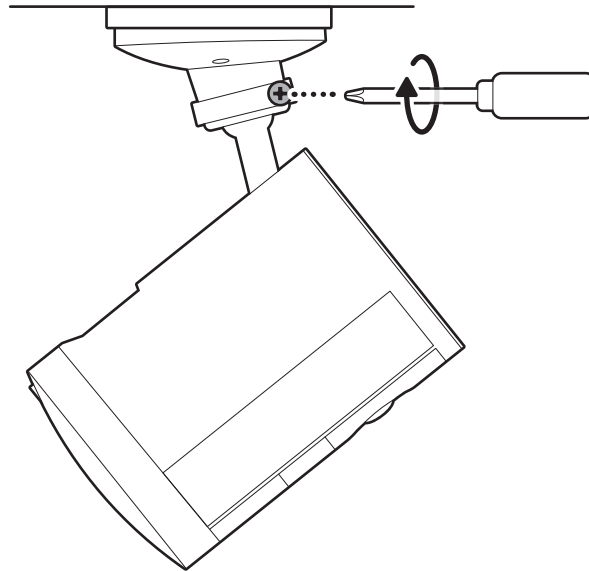
7.

Rotate your camera and tighten the security screw.



## 8.

Adjust your camera's position and tighten the ball joint to secure in place.



[ring.com/contact](https://ring.com/contact)



[ring.com/help](https://ring.com/help)

Ring LLC 12515 Cerise Ave, Hawthorne, CA, 90250 USA

Ring LLC / Amazon EU S.à.r.l., 38 Avenue John F. Kennedy, L-1855 Luxembourg / Amazon UK, 1 Principal Place, Worship Street, London, EC2A 2FA, United Kingdom

アマゾンジャパン合同会社〒153-0064 東京都目黒区下目黒1-8-1

Ring LLC ميني 12515 طريق سيريس، هاوثورن، كاليفورنيا، 90250، الولايات المتحدة الأمريكية

©2026 Ring LLC or its affiliates. Ring and all related marks are trademarks of Ring LLC or its affiliates.

©2026 Ring LLC又はその関連会社。Ring及びこれらに関するすべての商標は、Ring LLC又はその関連会社の商標です。