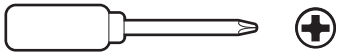


Tools needed



Phillips-head screwdriver

1.

Remove the protective wrap.



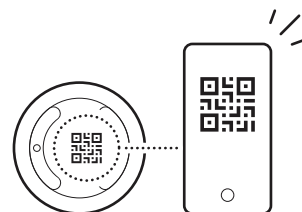
2.

Download the Ring app.



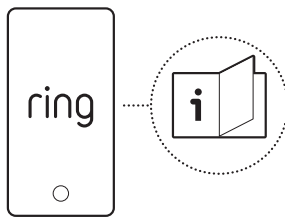
3.

Scan the QR code on your device.



4.

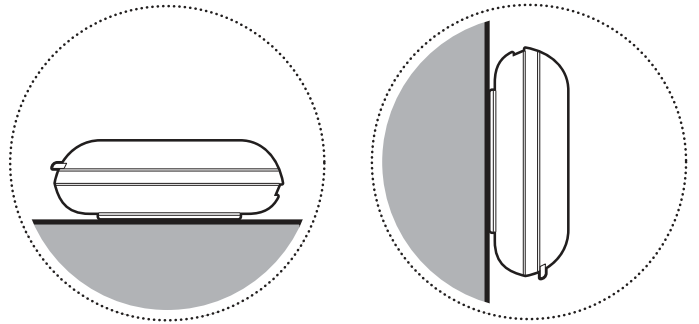
Follow in-app setup.



Installation

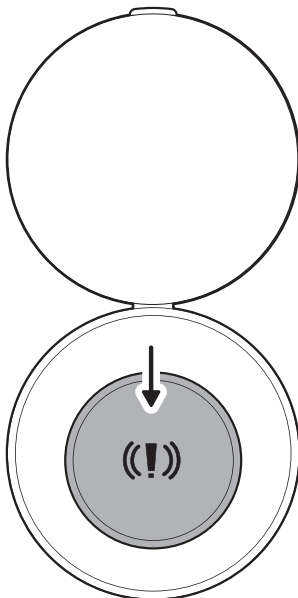
1.

Place your panic button in a safe, easily accessible place—away from small children, pets, or where it can be accidentally triggered.



2.

To trigger your panic button, press and hold the button for a minimum of 3 seconds.



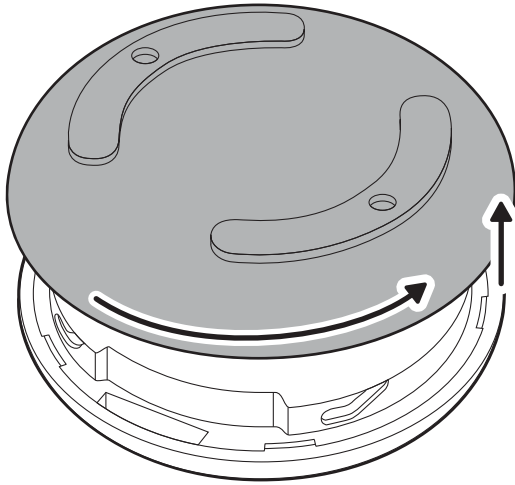
Replacing the batteries

**WARNING!**

- **INGESTION HAZARD:** This product contains a button cell or coin battery.
- **DEATH** or serious injury can occur if ingested.
- A swallowed button cell or coin battery can cause Internal Chemical Burns in as little as 2 hours.
- **KEEP** new and used batteries **OUT OF REACH** of **CHILDREN**.
- Seek immediate medical attention if a battery is suspected to be swallowed or inserted inside any part of the body.

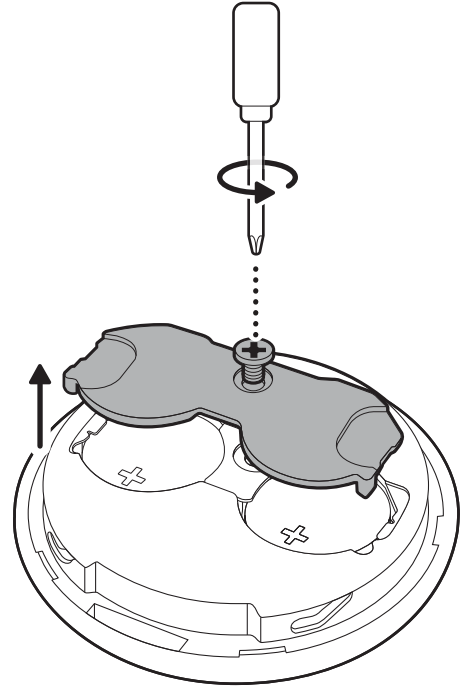
1.

Hold your panic button between both palms and twist to remove the back cover.



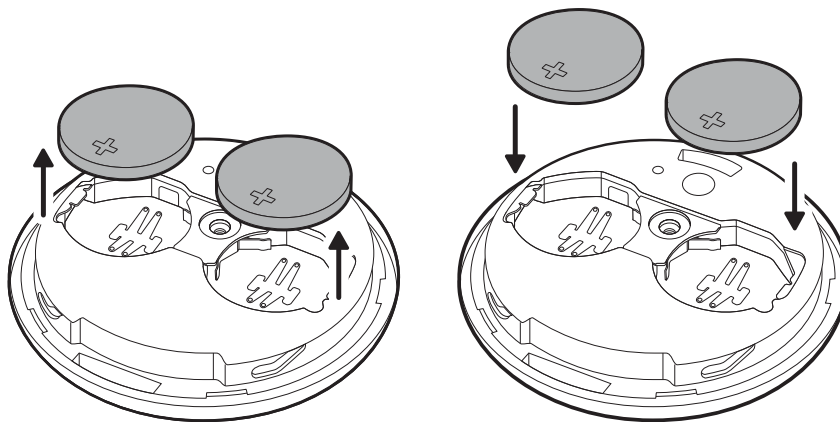
2.

Use a Phillips-head screwdriver to remove the battery security plate.



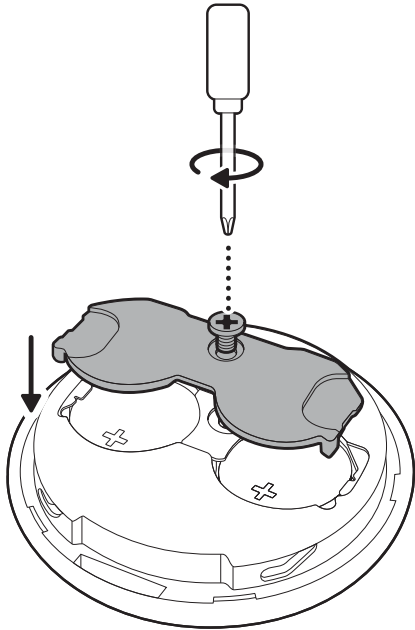
3.

Carefully remove the coin cell batteries and replace.



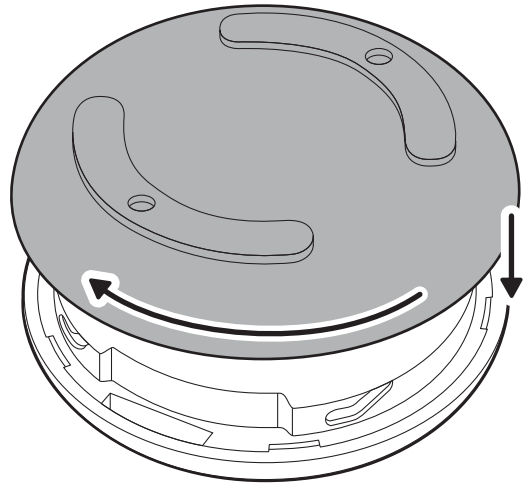
4.

Reattach the battery security plate.



5.

Hold your panic button and the battery cover between both palms and twist to reattach.



Amazon Sidewalk-enabled device; Amazon Sidewalk connection or Ring Base Station required for use; sold separately. Sidewalk coverage may vary by location.

For Amazon Sidewalk information, visit ring.com/sidewalk



ring.com/contact



ring.com/help