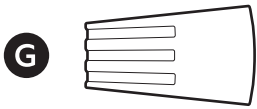
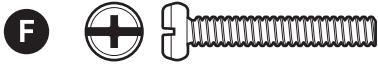
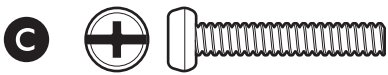
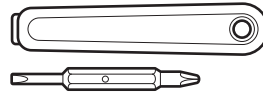


Hardware included

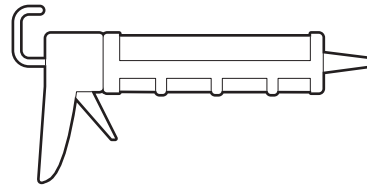


Tools included



Screwdriver

Tools needed



Caulk gun



WARNING: Risk of electrical shock. Disconnect power at the fuse or circuit breaker before installing.

CAUTION: Risk of fire. Do not install near combustible or flammable surfaces.

NOTE: Your Floodlight Cam must be installed on a 4 inch round UL-listed weatherproof electrical box.

This manual is for informational purposes only. Working with electricity can be dangerous unless proper safety precautions are taken. If you are not comfortable or are inexperienced with the processes and tools described in this manual, we recommend that you hire a licensed electrician.

1.

Remove the protective wrap from the camera lens.



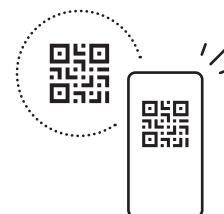
2.

Download the Ring Always Home app.



3.

Scan the QR code on your device.



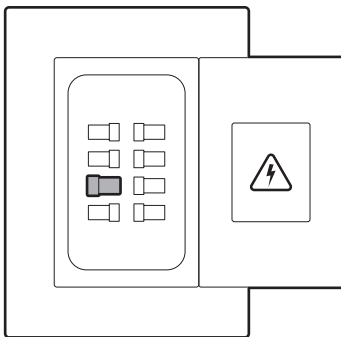
4.

Shut off power at the breaker.

NOTE: If you are unsure which breaker to flip, turn off the master breaker or contact a licensed electrician.

Verify that the supply voltage is correct. Connect fixture to a 100 to 240 VAC 50/60Hz power source.

Do not connect this light fixture to a dimmer switch or timer.

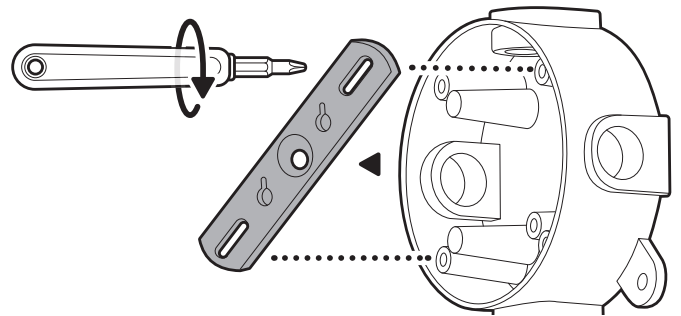


Wall installation

1.

Remove your existing floodlight from the junction box, including any existing metal bracket, and disconnect the wires.

NOTE: If you do not have an existing junction box, contact a licensed electrician.



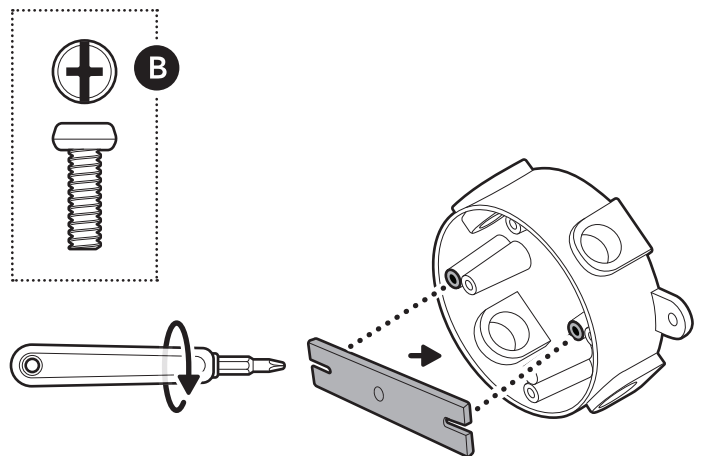
2.

Choose the screws that fit your junction box.

Bag A	For standard junction boxes
Bag B & C	For recessed junction boxes
Bag D, E & F	For older junction boxes

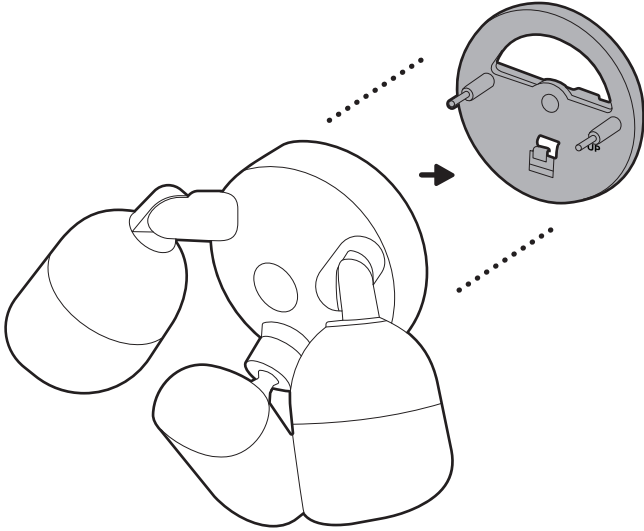
3.

Align the mounting bracket with the junction box, ensuring FRONT faces outward, and attach using the included screws.



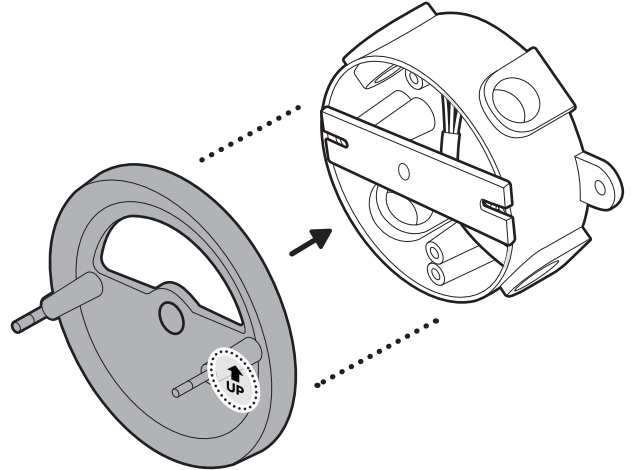
4.

Remove the mounting plate from the back of your camera fixture.



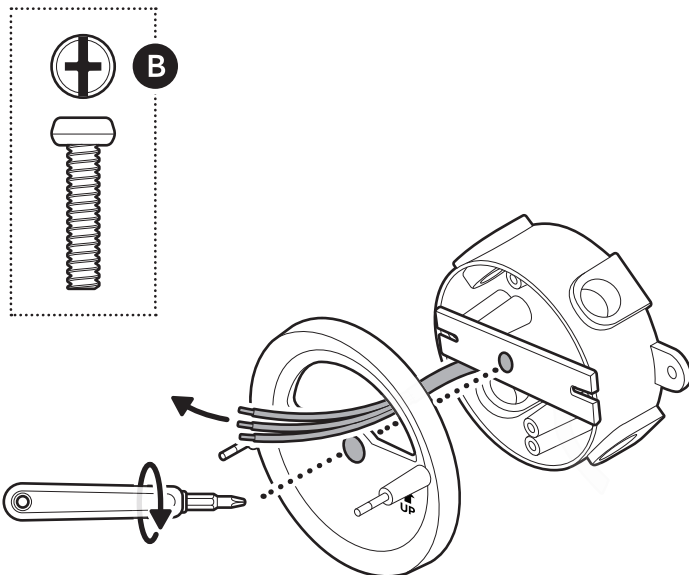
5.

Align the mounting plate over the metal mounting bracket with the UP arrow pointing up.



6.

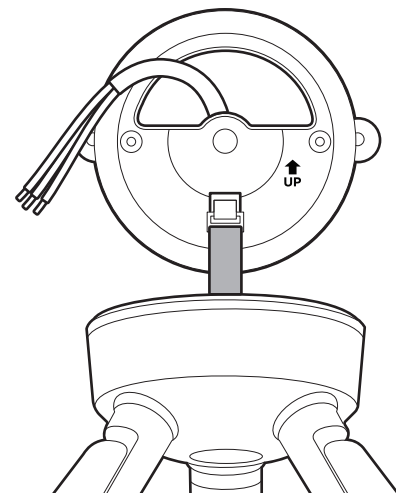
Feed the wires over the metal mounting bracket, through the mounting plate, and attach with the included screw.



7.

Use the nylon strap on the back of your camera fixture to hook it onto the mounting plate.

NOTE: Ensure the buckle and hook are secure before releasing.



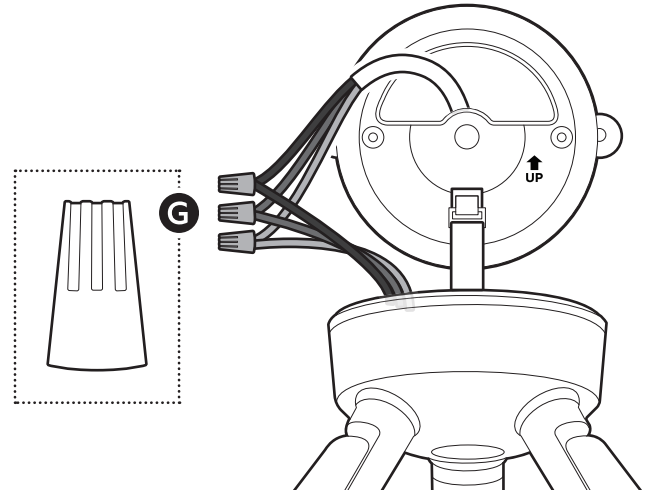
8.

Remove the precut wire sleeve to expose the wire end and use the included wire nuts to connect the green (ground), white (neutral), and black (hot) wires to the matching wires coming from your camera fixture.

NOTE: Gently tug on the wires to ensure they are securely connected.

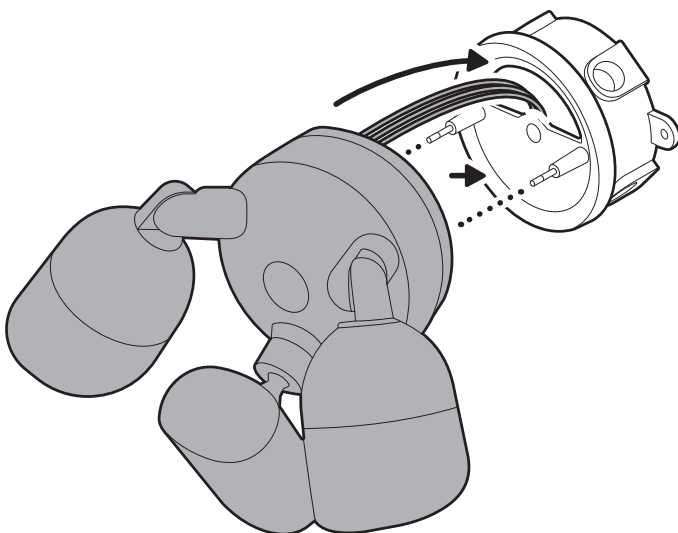
Properly ground fixture.

Always follow code standards when installing wired connections.



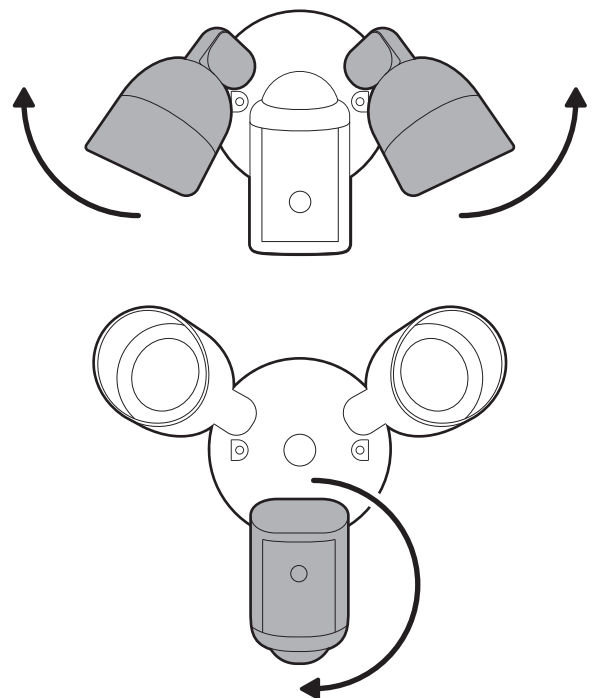
9.

Gently tuck the wires into the junction box, then align the holes on your camera fixture with the threaded posts on the mounting plate and attach using the included hex nuts.



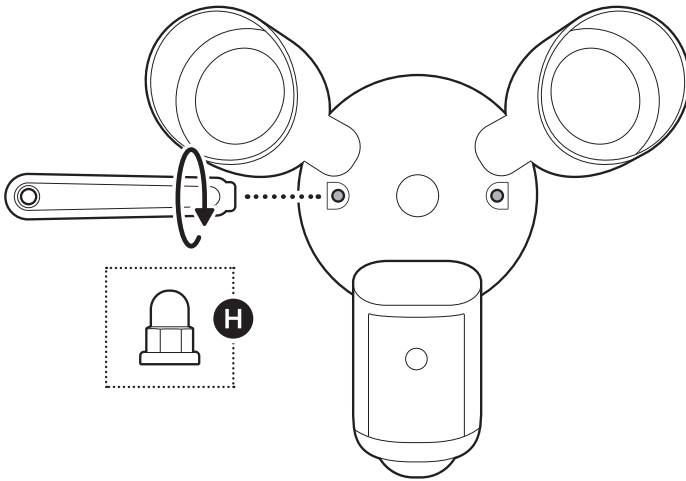
10.

Rotate the lights out of the way, then rotate your camera clockwise.



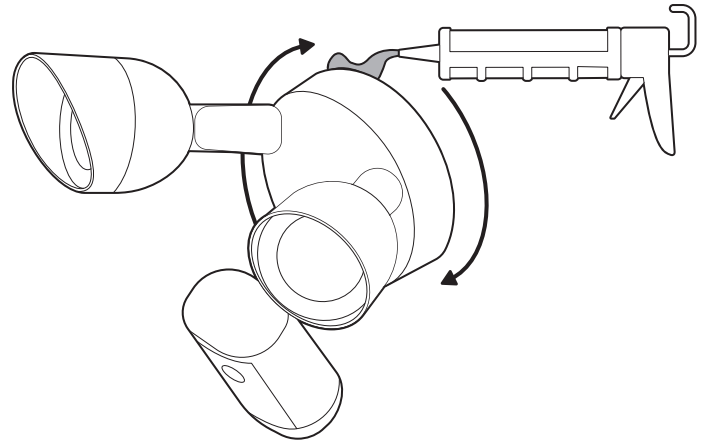
11.

Remove the shank from the included screwdriver and use the handle to tighten the hex nuts. Then, cover with the included hex nut caps.



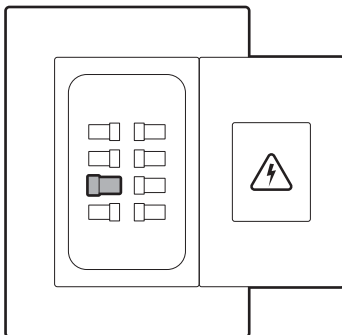

12.

Apply a weatherproof silicone caulk or sealant around the perimeter of the lighting fixture to seal any gaps between the lighting fixture and the mounting surface.



13.

Restore power at the breaker.

 ring.com/contact ring.com/help