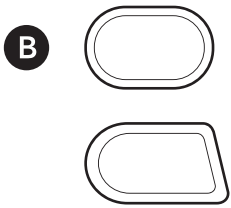
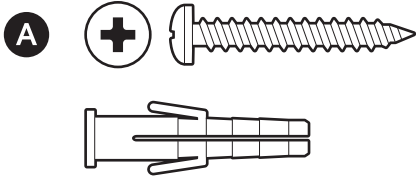
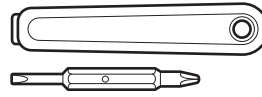


## Hardware included

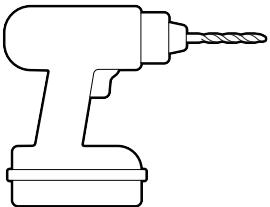


## Tools included

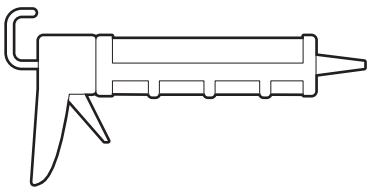


Screwdriver

## Tools needed



Drill with a 6 mm masonry bit (optional)



Caulk gun



**WARNING:** Risk of electrical shock. Disconnect power at the fuse or circuit breaker before installing.

**CAUTION:** Risk of fire. Do not install near combustible or flammable surfaces.

**NOTE:** Your Floodlight Cam must be installed on a 4 inch round UL-listed weatherproof electrical box.

This manual is for informational purposes only. Working with electricity can be dangerous unless proper safety precautions are taken. If you are not comfortable or are inexperienced with the processes and tools described in this manual, we recommend that you hire a licensed electrician.

1.

Remove the protective wrap from the camera lens.



2.

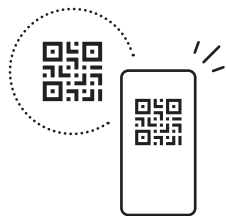
Download the Ring Always Home app.



3.

Scan the QR code on your device.

**WARNING!** Professional installation recommended.



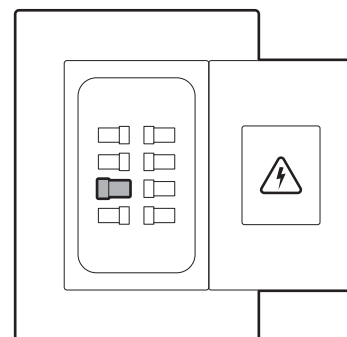
4.

Shut off power at the consumer unit.

**NOTE:** If you are unsure which breaker to flip, turn off the master breaker or contact a licensed electrician.

Verify that the supply voltage is correct. Connect fixture to a 100 to 240 VAC 50/60Hz power source.

Do not connect this light fixture to a dimmer switch or timer.

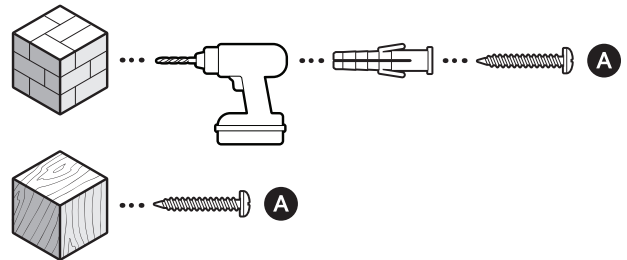
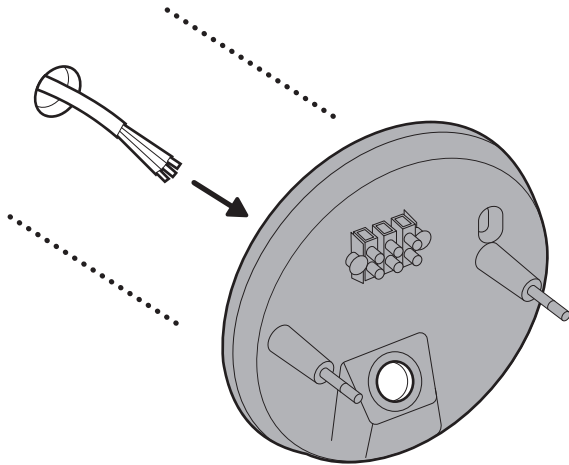


## Wall installation

1.

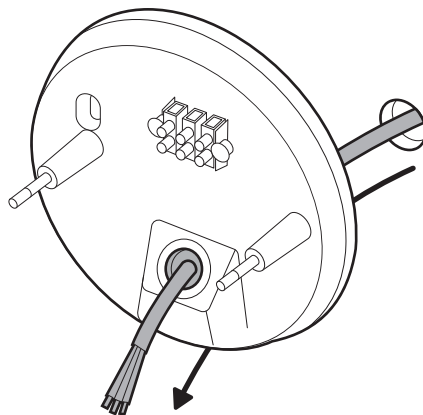
Remove your existing floodlight and disconnect the wires.

On stucco, brick, or concrete, use a 6 mm masonry bit to drill holes for the included wall anchors.



2.

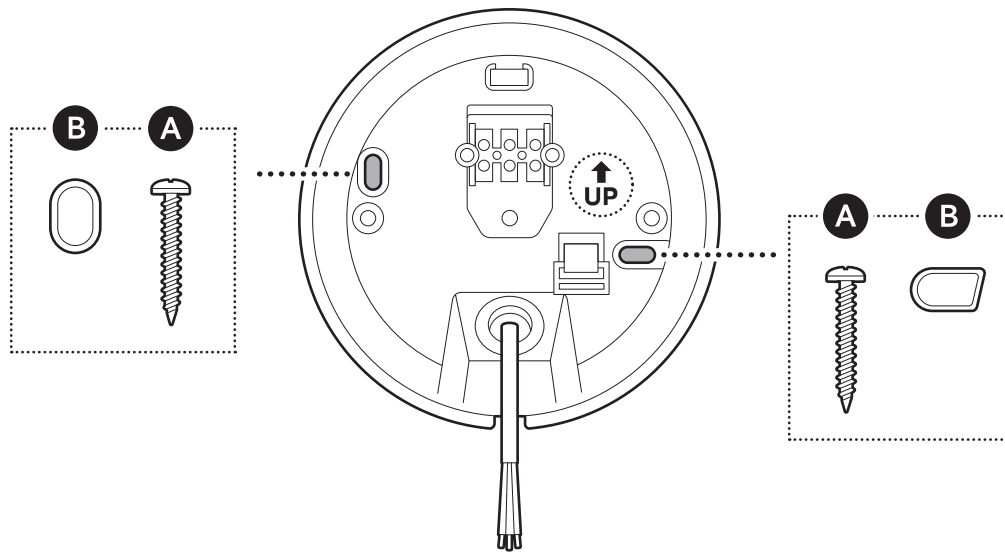
Feed the wires through the mounting plate.



3.

Install the mounting plate with the UP arrow pointing up.

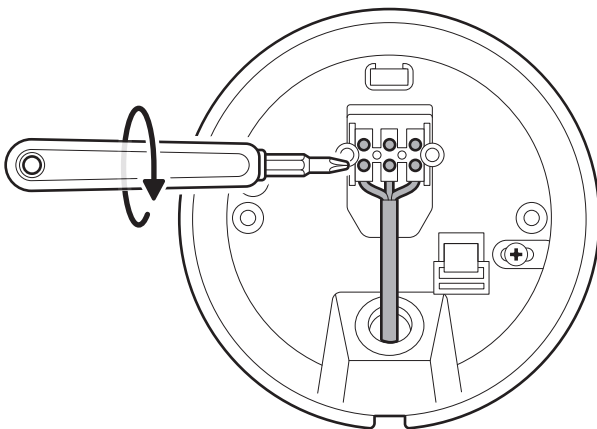
**NOTE:** Use the included screwdriver, washers, and screws.



4.

Connect the wires to the terminal block with a screwdriver.

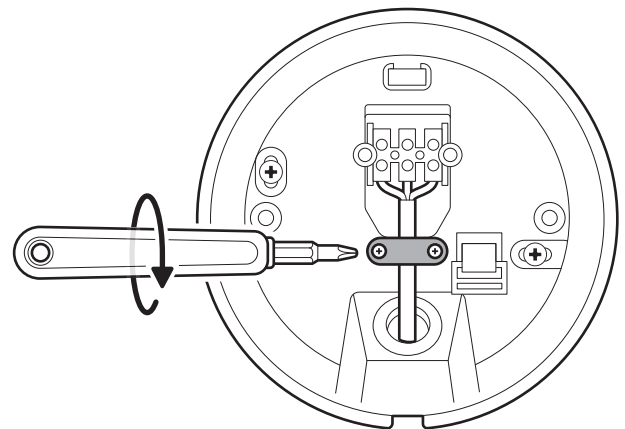
**NOTE:** Gently tug on the wires to ensure they are securely connected.



5.

Attach the pressing plate over the wire insulation and not over the individual wires.

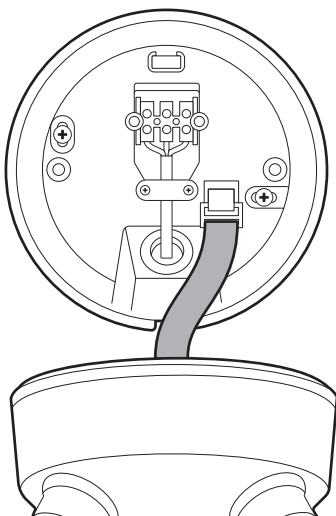
**CAUTION!** Risk of fire. Follow the standard electrical code in your country. Consult a qualified electrician in your area if you are unsure or uncomfortable in performing the installation.



6.

Use the nylon strap on the back of your camera fixture to hook it onto the mounting plate.

**NOTE:** Ensure the buckle and hook are secure before releasing.



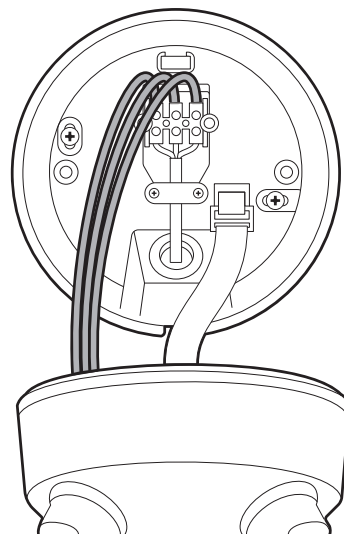
7.

Connect the wires from your camera to the terminal block.

**NOTE:** Gently tug on the wires to ensure they are securely connected.

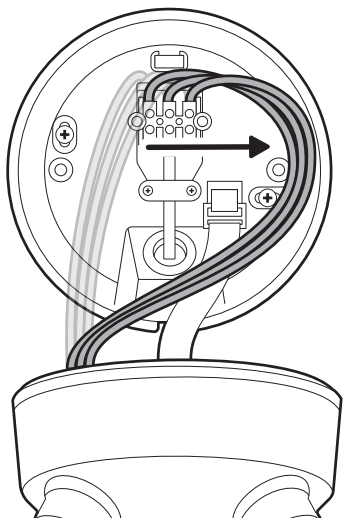
Properly ground fixture.

Always follow code standards when installing wired connections.



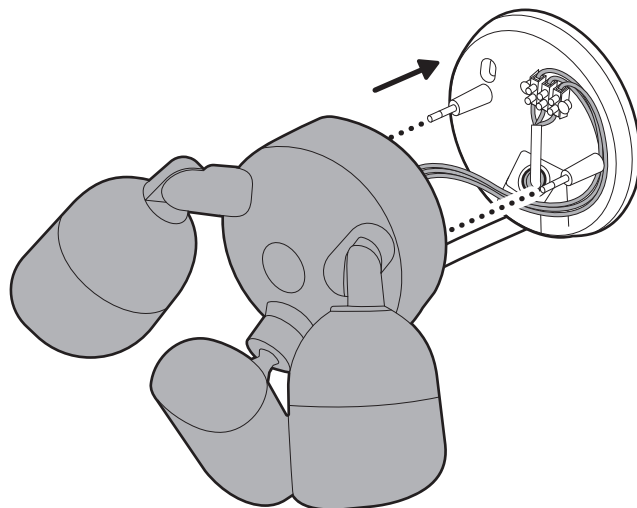
8.

Route the wires from your camera fixture along the right side of the mounting plate.



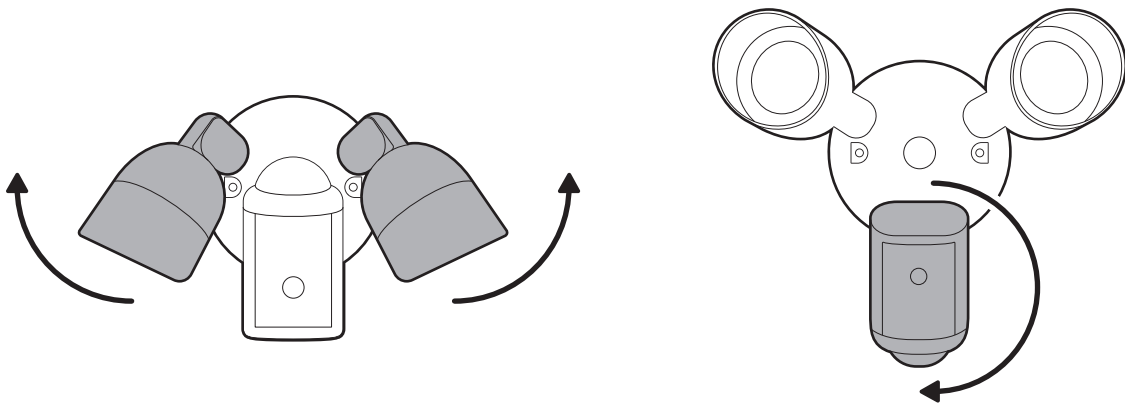
9.

Slide the camera fixture onto the mounting plate and attach using the included hex nuts.



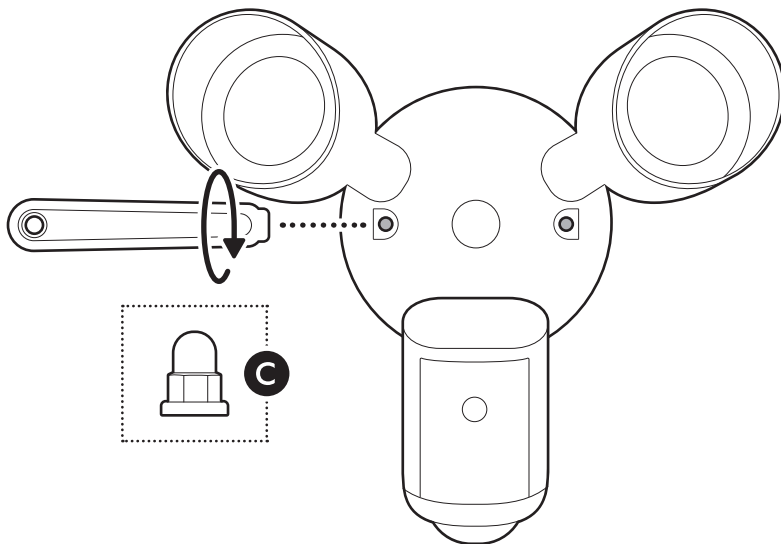
10.

Rotate the lights out of the way, then you rotate camera clockwise.



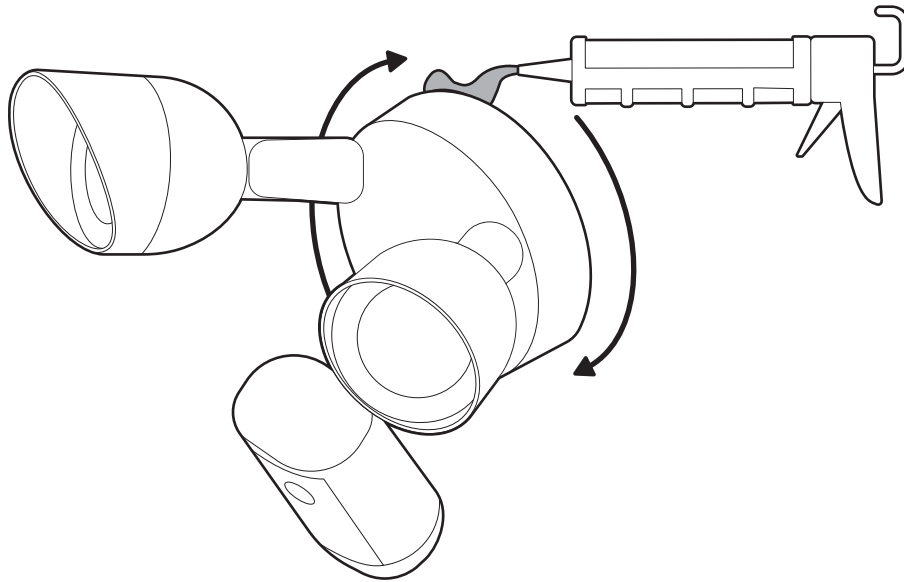
11.

Remove the shank from the included screwdriver and use the handle to tighten the hex nuts. Then, cover with the included hex nut caps.



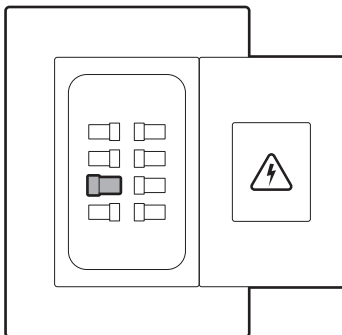
## 12.

Apply a weatherproof silicone caulk or sealant around the perimeter of the lighting fixture to seal any gaps between the lighting fixture and the mounting surface.



## 13.

Restore power at the consumer unit.



 [ring.com/contact](https://ring.com/contact)

 [ring.com/help](https://ring.com/help)

Ring LLC 12515 Cerise Ave, Hawthorne, CA, 90250 USA

Ring LLC / Amazon EU S.à.r.l., 38 Avenue John F. Kennedy, L-1855 Luxembourg / Amazon UK, 1 Principal Place, Worship Street, London, EC2A 2FA, United Kingdom

©2026 Ring LLC or its affiliates. Ring and all related marks are trademarks of Ring LLC or its affiliates.