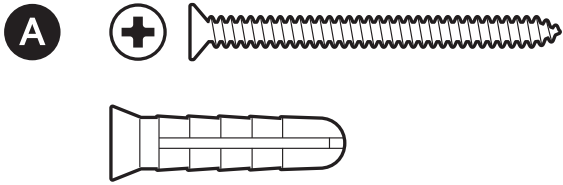
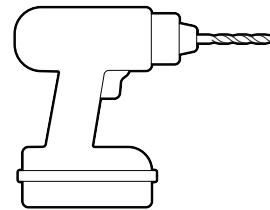
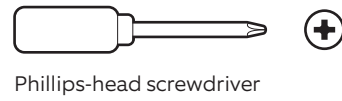


Hardware included

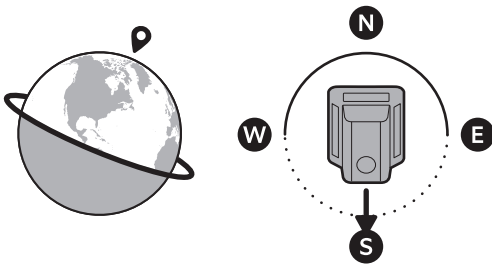


Tools needed

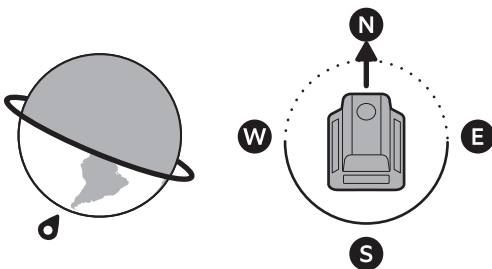


1.

Choose a location.

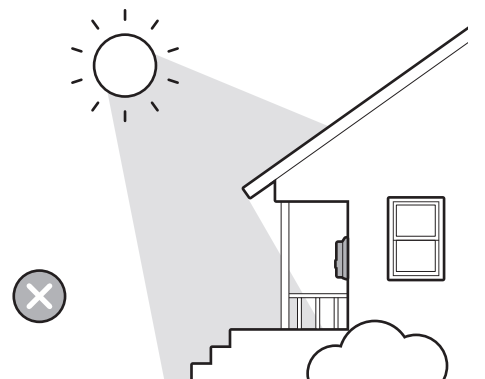
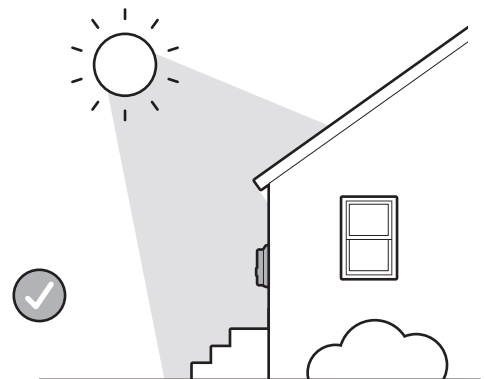


If you are in the Northern Hemisphere, direct your solar charger toward the south.



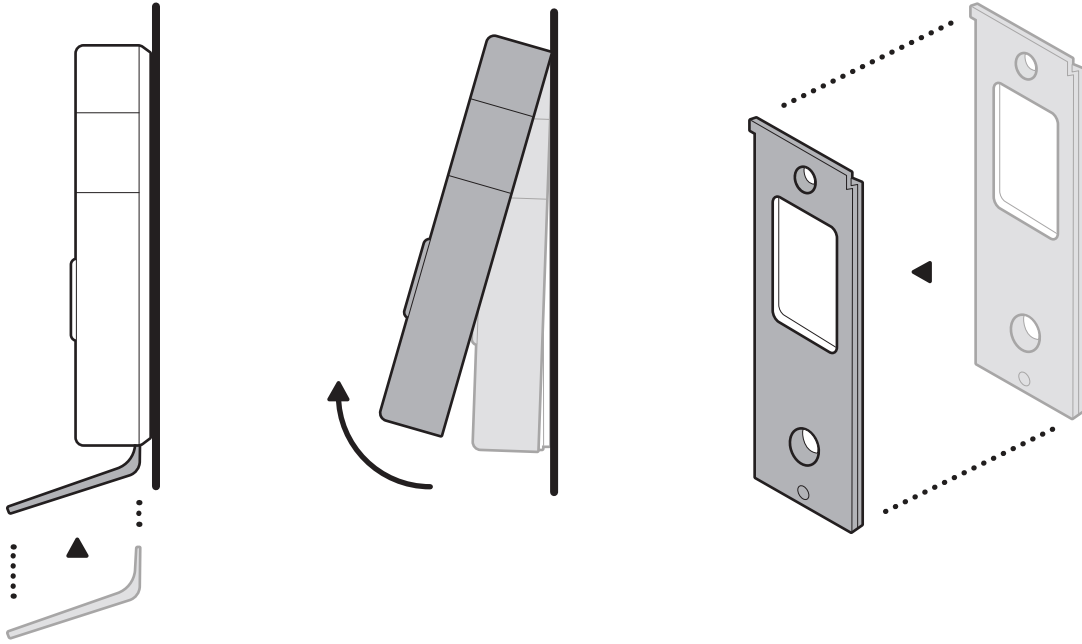
If you are in the Southern Hemisphere, direct your solar charger toward the north.

Ensure nothing is blocking sunlight to your solar panel.



2.

If you have a previously mounted Battery Doorbell, remove your doorbell from mounting bracket with its included removal tool, then remove the mounting bracket.

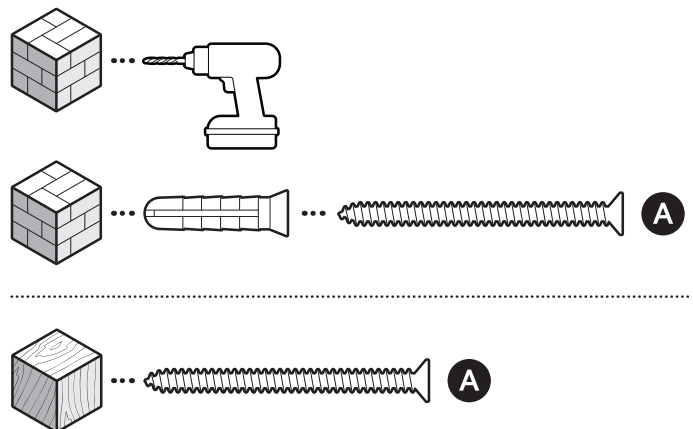
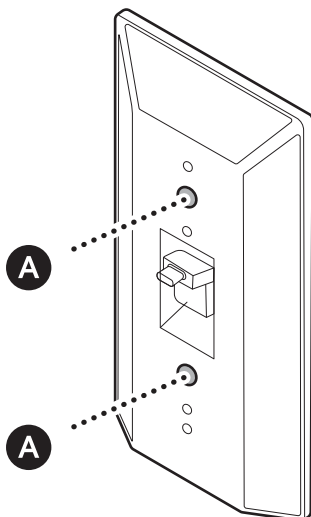


3.

Install your solar charger with the solar panels facing up and out.

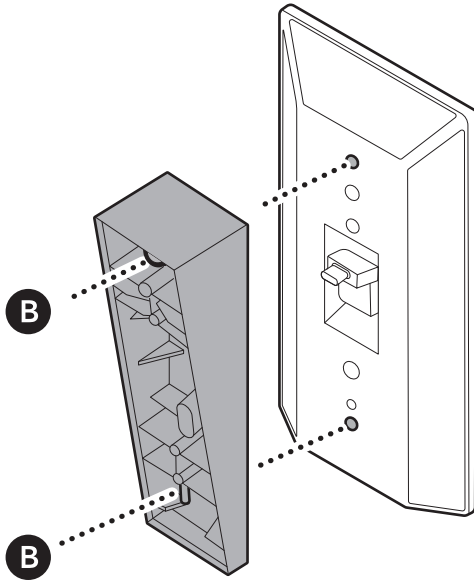
NOTE: If installing a corner mount, skip to step 5.

On stucco, brick, or concrete, use a ¼ in (6 mm) masonry bit to drill holes for the included wall anchors.



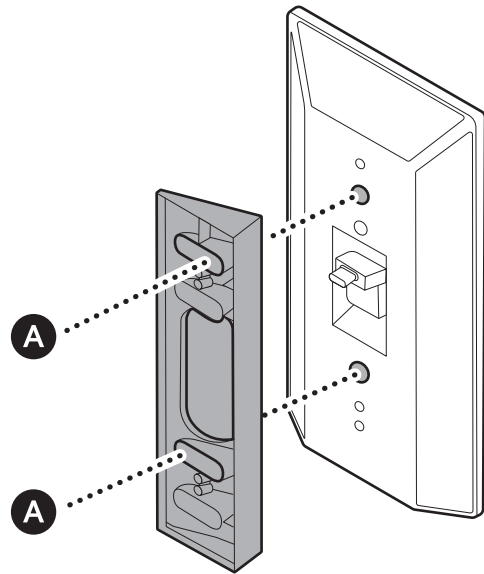
4.

(Optional) If installing a wedge mount, mount it directly onto your solar charger with the included screws.

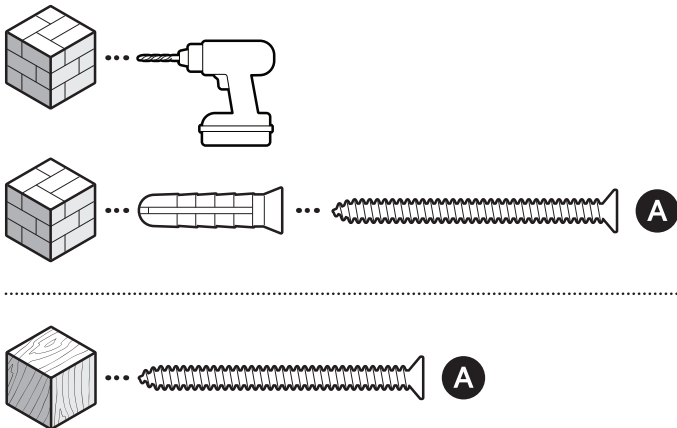


5.

(Optional) If installing a corner mount, stack the mount over your solar charger and install both directly onto the wall with the included screws.

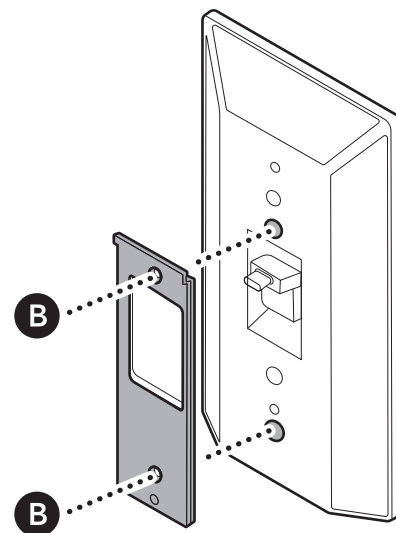


On stucco, brick, or concrete, use a ¼ in (6 mm) masonry bit to drill holes for the included wall anchors.



6.

Install your doorbell's mounting bracket.

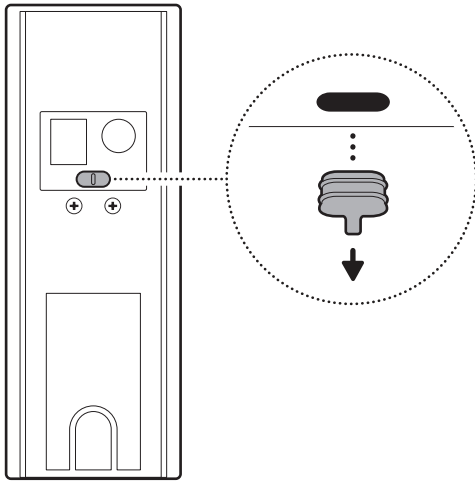


7a.

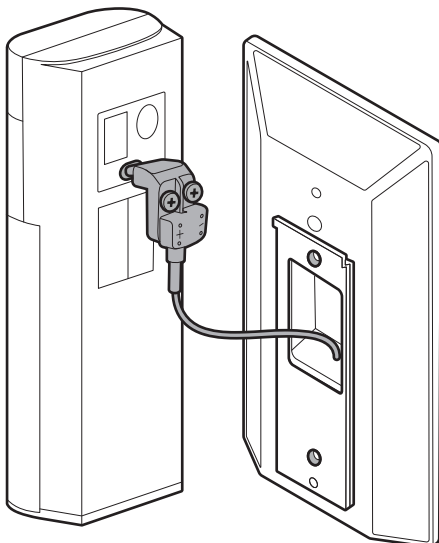
If using Battery Doorbell (2nd Gen), remove the rubber cap from the power port, then plug the USB-C adapter into the back of your doorbell, ensuring it is fully inserted.

The USB-C adapter should only be used with the Solar Charger for Battery Doorbells.

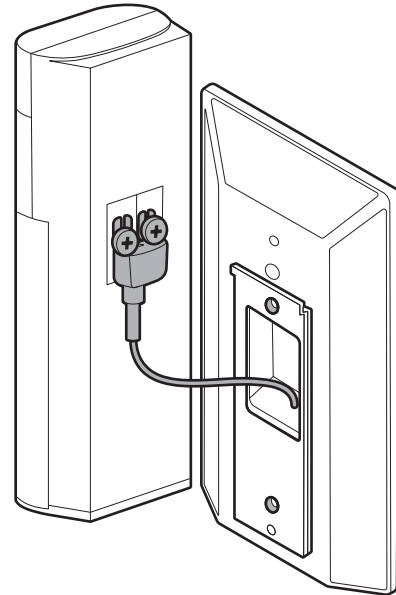
NOTE: Store the rubber cap in a safe place. Reinsert it into the power port when not using your solar charger.



NOTE: Battery Doorbell (2nd Gen) can charge using solar power only through the USB-C port. Connecting the Solar Charger for Battery Doorbells to your Battery Doorbell (2nd Gen) AC fork connector may result in damage to your Battery Doorbell (2nd Gen).

**7b.**

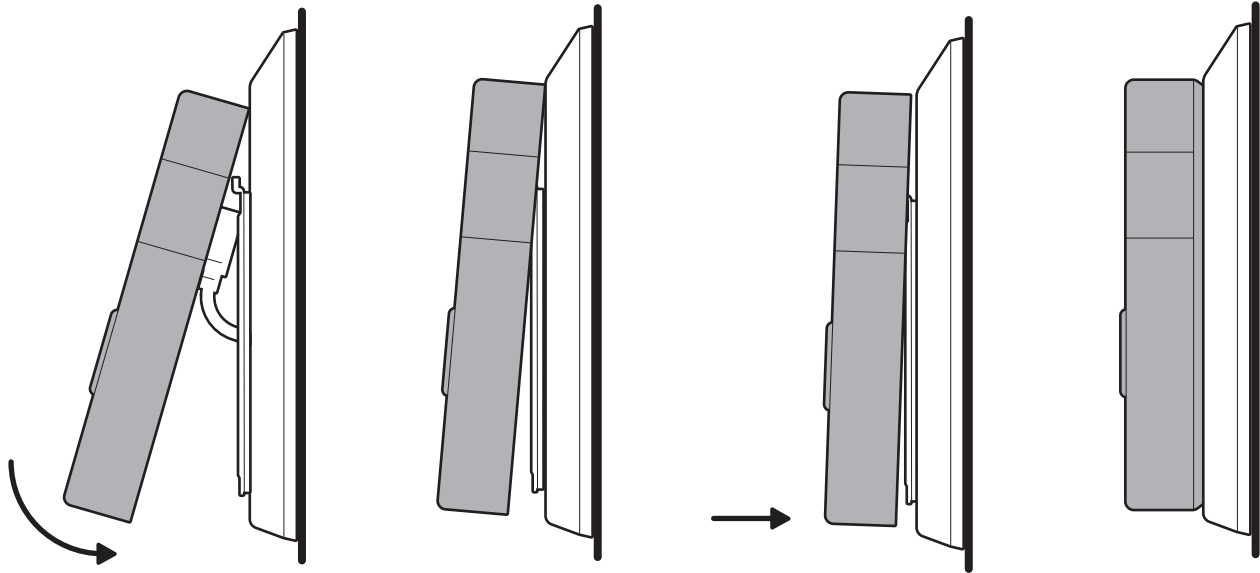
If using Battery Doorbell Plus (2nd Gen) or Battery Doorbell Pro (2nd Gen), remove the USB-C adapter to access the fork connector. Then, secure it to your doorbell's wire terminals by loosening and tightening the screws.



8.

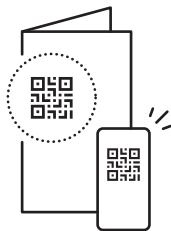
Mount your doorbell by hooking it over the bracket.

NOTE: Gently tuck the USB-C cable or doorbell wiring into the mounting bracket, ensuring everything is securely connected.



9.

Refer to your doorbell setup guide to secure your doorbell and complete setup.



ring.com/contact



ring.com/help

Ring LLC 12515 Cerise Ave, Hawthorne, CA, 90250 USA

Ring LLC / Amazon EU S.à.r.l., 38 Avenue John F. Kennedy, L-1855 Luxembourg / Amazon UK, 1 Principal Place, Worship Street, London, EC2A 2FA, United Kingdom

アマゾンジャパン合同会社〒153-0064 東京都目黒区下目黒1-8-1

Ring LLC ميني 12515 طريق سيريس، هاوثورن، كاليفورنيا، 90250. الولايات المتحدة الأمريكية

©2026 Ring LLC or its affiliates. Ring and all related marks are trademarks of Ring LLC or its affiliates.

©2026 Ring LLC又はその関連会社。Ring及びこれらに関するすべての商標は、Ring LLC又はその関連会社の商標です。