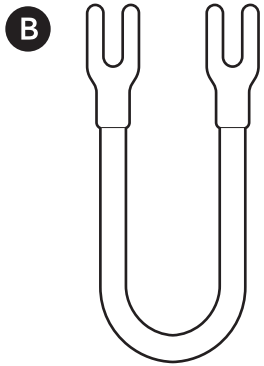
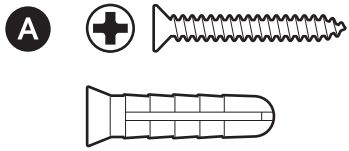
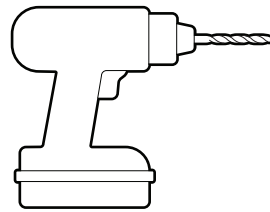


Hardware included



Tools needed



Drill with a 1/4 in (6 mm) masonry bit (optional)

1.

Remove the protective wrap.



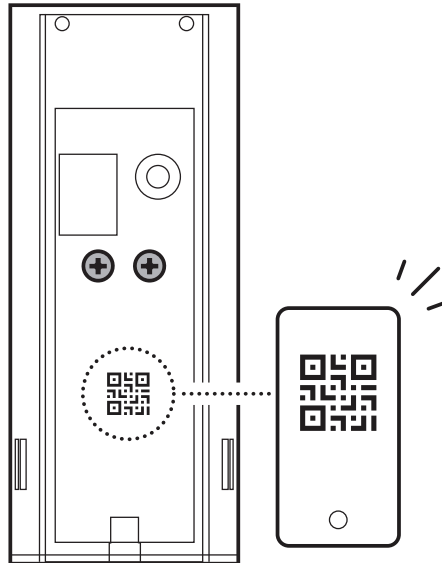
2.

Download the Ring app.



3.

Scan the QR code on your device.



Doorbell installation

1.

Shut off power at the breaker.

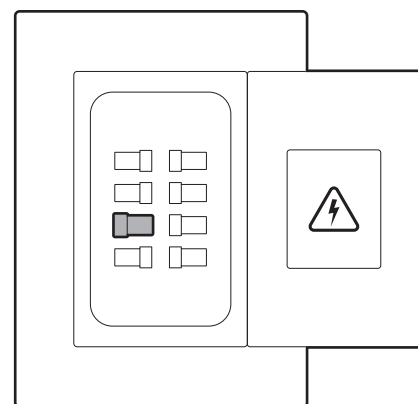
NOTE: If you are unsure which breaker to flip, turn off the master breaker or contact an electrician.



CAUTION! You'll be working with electrical wires during the install process. If you are uncomfortable or inexperienced with doing so, consult with a licensed electrician. Do not wire your Ring Doorbell to a DC-powered intercom system.

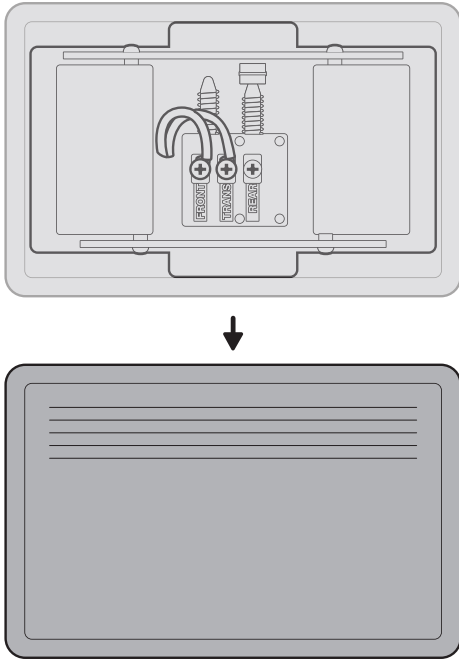
WARNING!

If your home has multiple chimes, you will need to ensure any additional chimes are bypassed by connecting the wires connected to Front and Trans together with a wire nut.



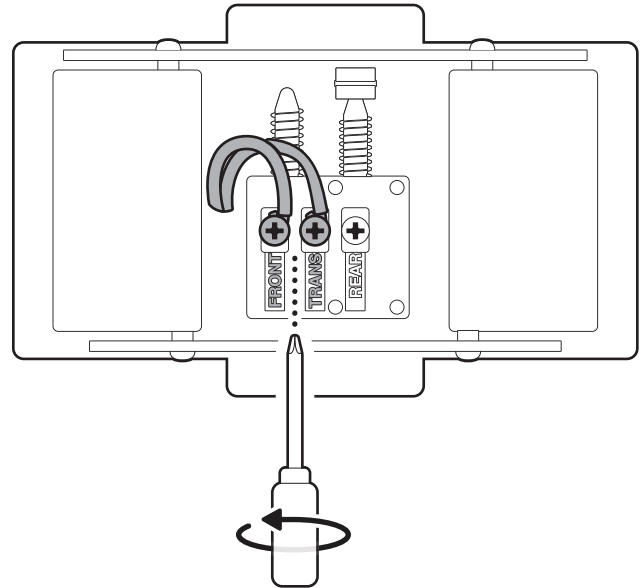
2.

Remove your doorbell chime's cover.



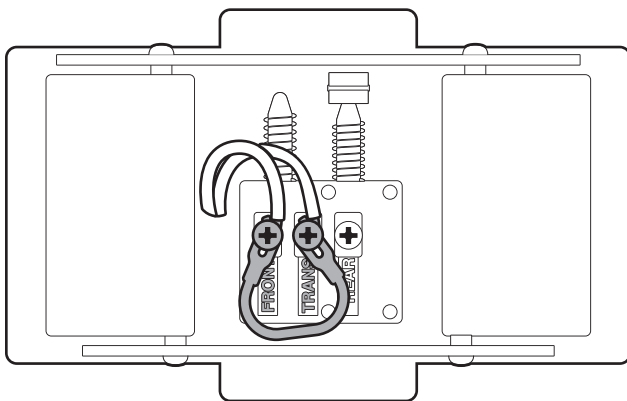
3.

Loosen the Front and Trans terminal screws. Make sure to keep the existing doorbell wires in place.



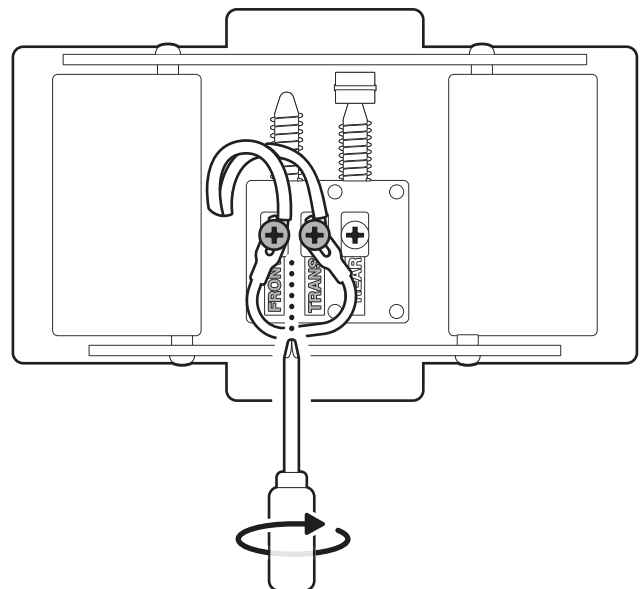
4.

Connect one end of the bypass cable to the Front terminal, and the other to the Trans terminal.



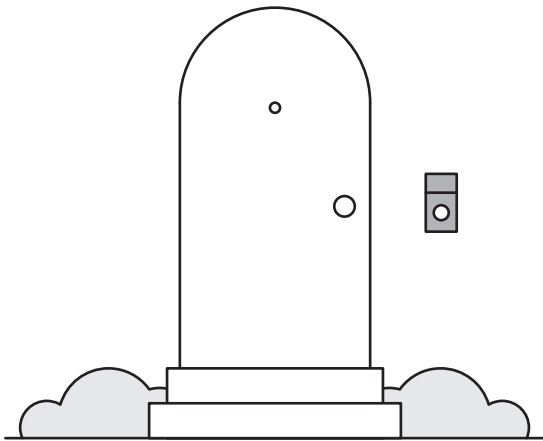
5.

Re-tighten the terminal screws.



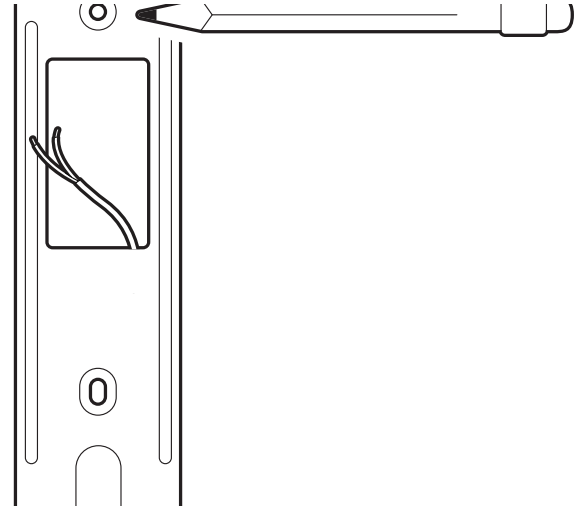
6.

Locate your existing doorbell and remove.



7.

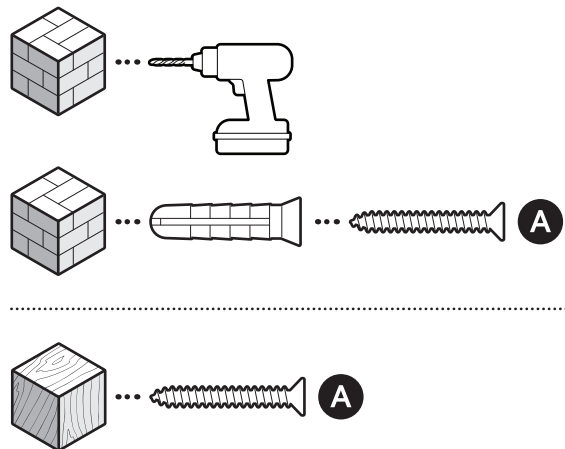
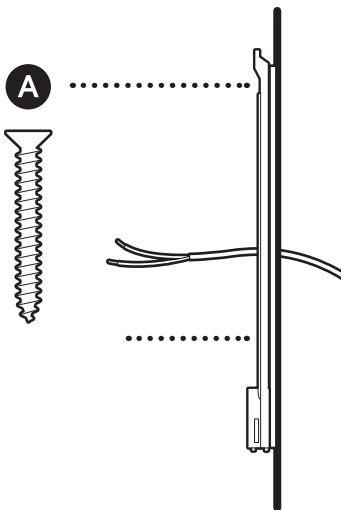
Use the mounting bracket as a guide to mark screw holes on the wall.



8.

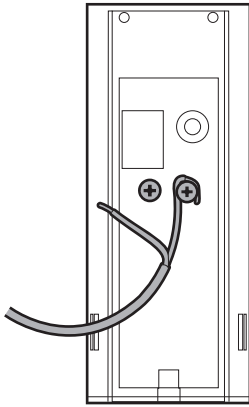
Install the mounting bracket directly over your doorbell wiring with the included screws.

Note: On stucco, brick, or concrete, use a 1/4 in (6 mm) masonry bit to drill holes for the included wall anchors.



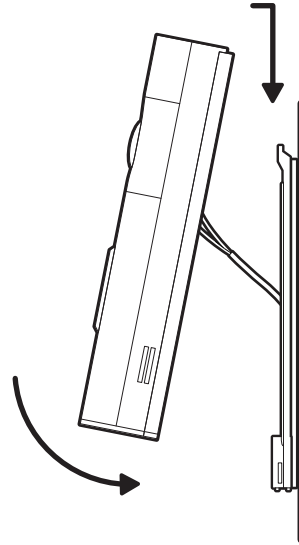
9.

Connect the doorbell wiring to your doorbell's wire terminals.



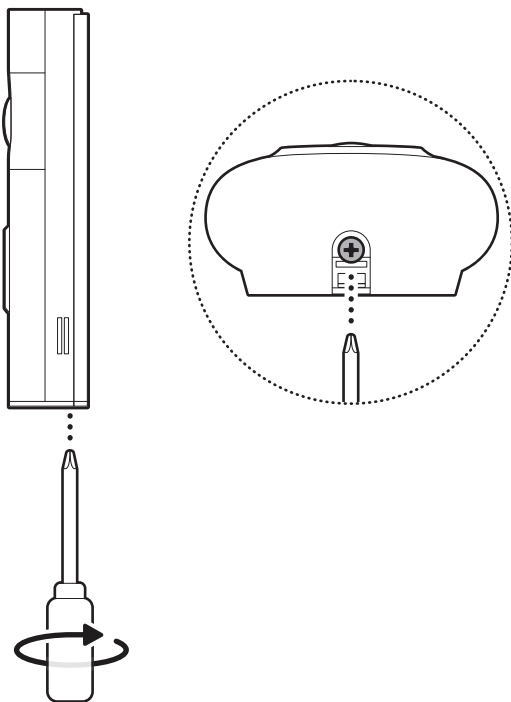
10.

Mount your doorbell by hooking it over the bracket.



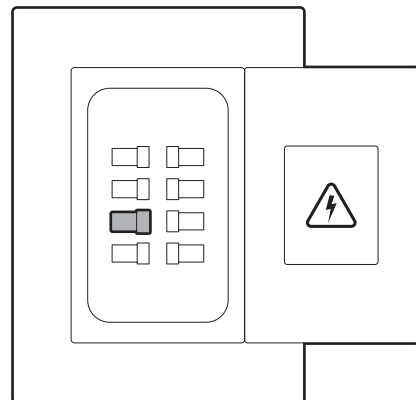
11.

Tighten the security screw.



12.

Restore power at the breaker.



 ring.com/contact

 ring.com/help