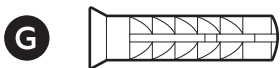
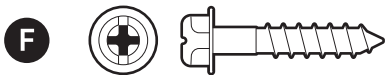
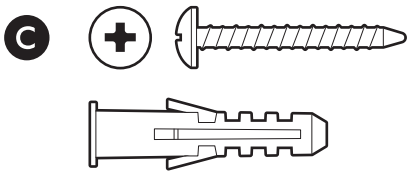
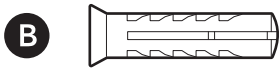
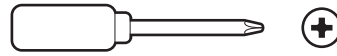


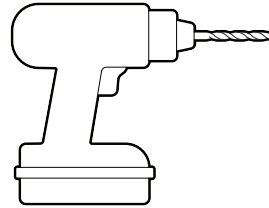
Hardware included



Tools needed



Phillips-head screwdriver



Drill with 1/4 in (6 mm) masonry bit (optional)

Tools included



L-shaped hex key

1.

Remove the protective wrap.



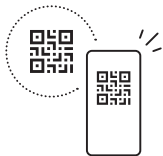
2.

Download the Ring app.



3.

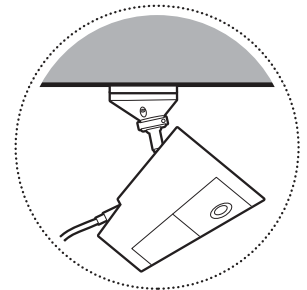
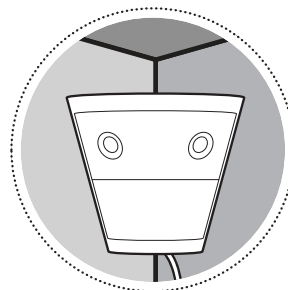
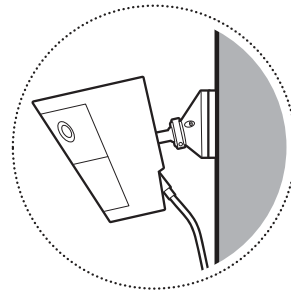
Scan the QR code on your device.



4.

Choose a location near an outlet or active PoE Type 4 injector.

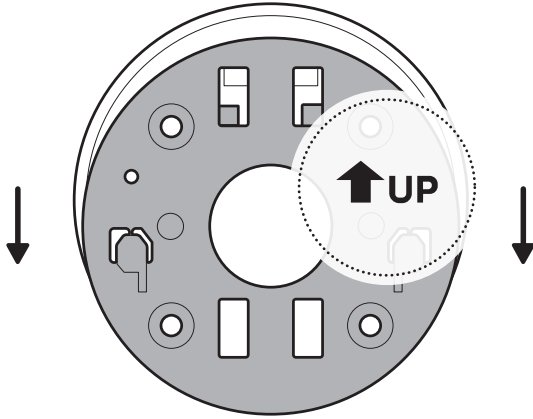
NOTE: If connecting to a PoE (Power over Ethernet) power source, ensure your PoE switch or injector is capable of PoE Type 4, active, and connected to a functioning Cat 6 or above Ethernet cable.



Wall installation

1.

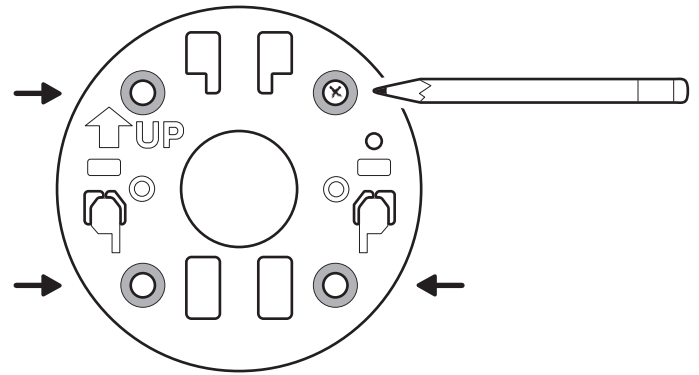
Slide the mounting plate in the direction opposite to the UP arrow to remove.



2.

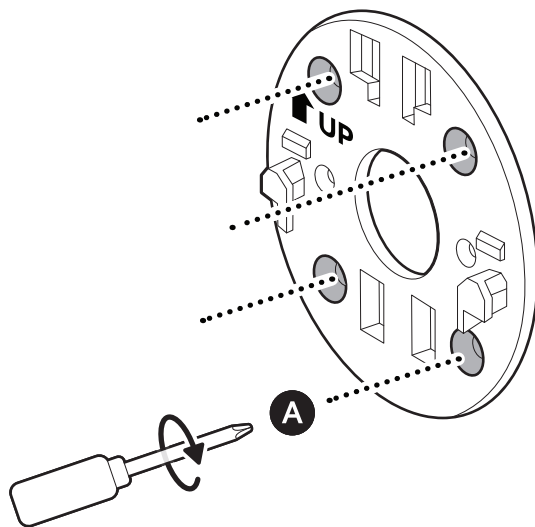
Use the mounting plate as a guide to mark screw holes on the wall.

NOTE: If routing the power cable through the wall, feed it through the mounting plate.

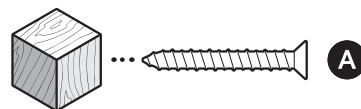
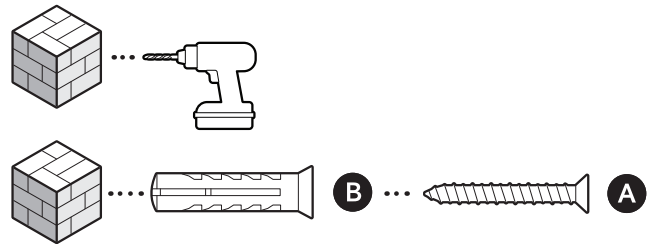


3.

Install the mounting plate with the UP arrow pointing up.

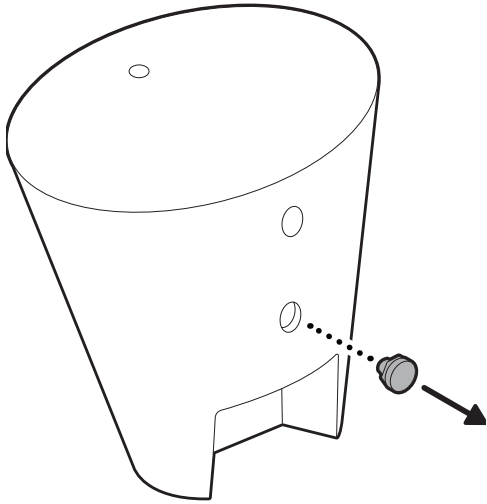


On stucco, brick, or concrete, use a 1/4 in (6 mm) masonry bit to drill holes for the included wall anchors.



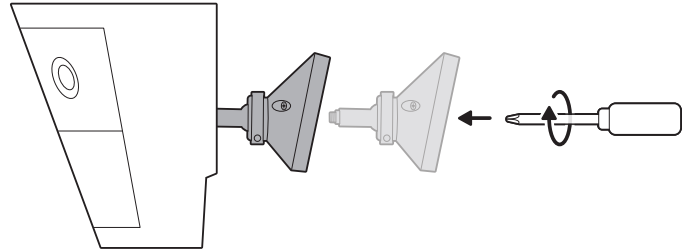
4.

Remove the rubber cap on the back of your camera.



5.

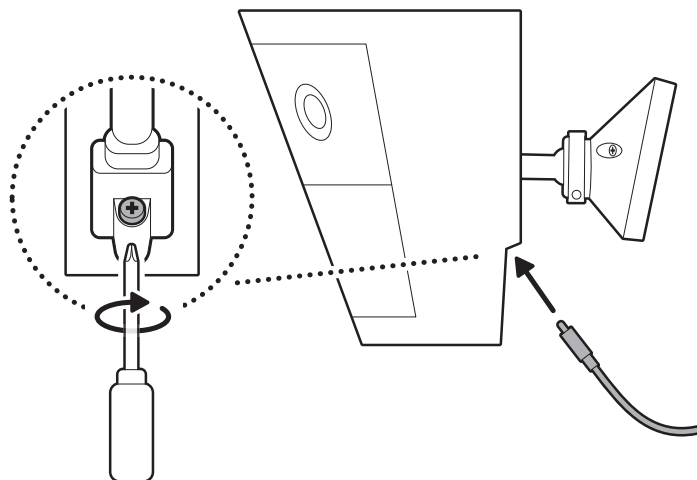
Attach the camera mount to the back of your camera with its screw.



6.

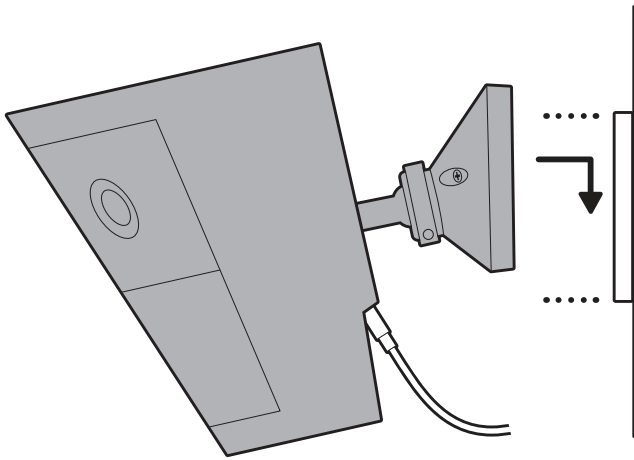
Plug the power or Ethernet cable into your camera.

NOTE: If using the USB-C cable, tighten the screw to secure it to your camera.

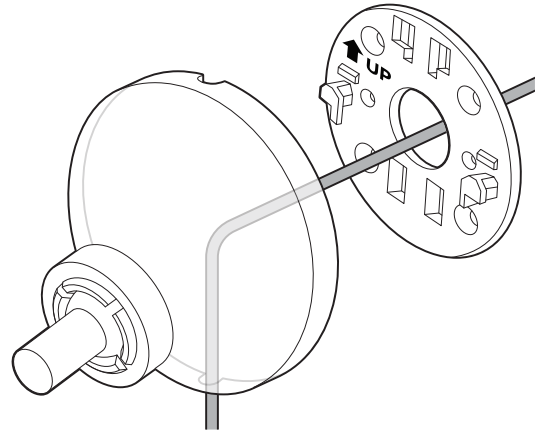


7.

Secure your camera to the mounting plate by sliding until you feel a click.

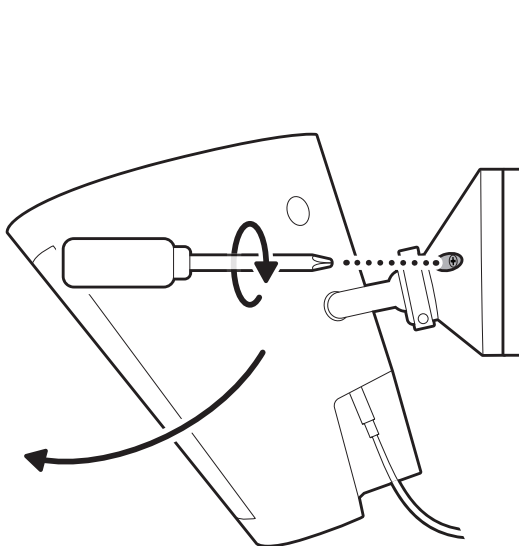


NOTE: If routing the power or Ethernet cable through the wall, feed it through the slot at the bottom of the camera mount.



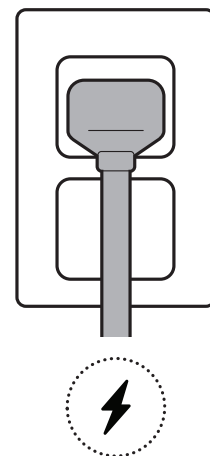
8.

Rotate your camera and tighten the security screw.



9.

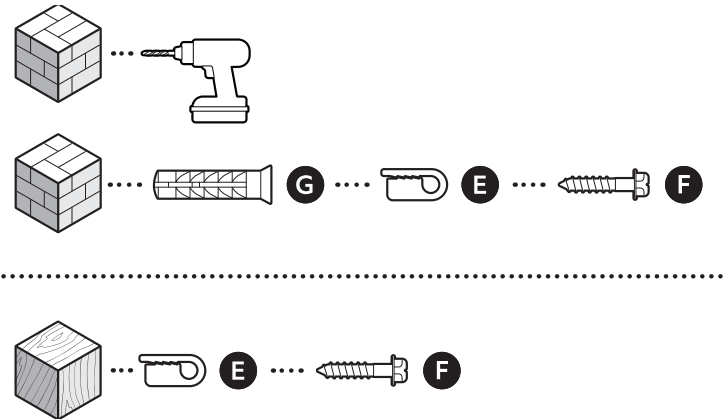
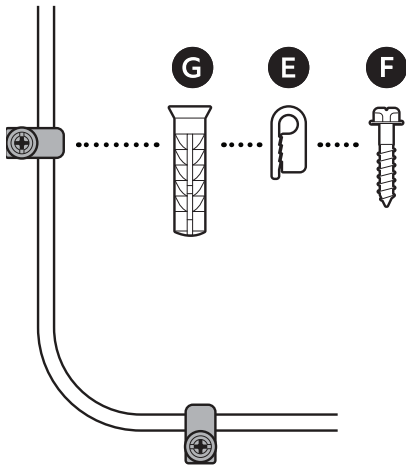
Plug the power adapter into an outlet.



10.

Anchor the power cable to the wall or ceiling with the included cable clips.

On stucco, brick, or concrete, use a 1/4 in (6 mm) masonry bit to drill holes for the included wall anchors.

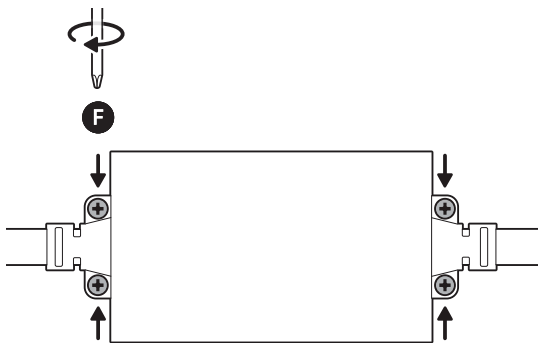


11.

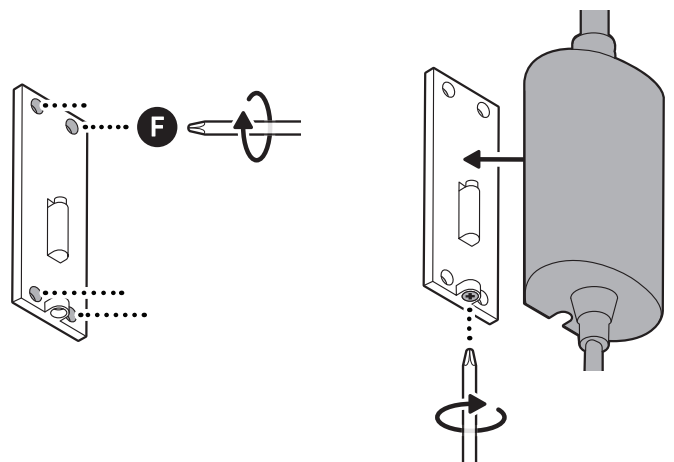
If using the power adapter, secure it to the wall with the included anchors and screws.

NOTE: If your adapter has a mounting plate, secure the mounting plate first, then attach the adapter to the mounting plate.

On stucco, brick, or concrete, use a 1/4 in (6 mm) masonry bit to drill holes for the included wall anchors.

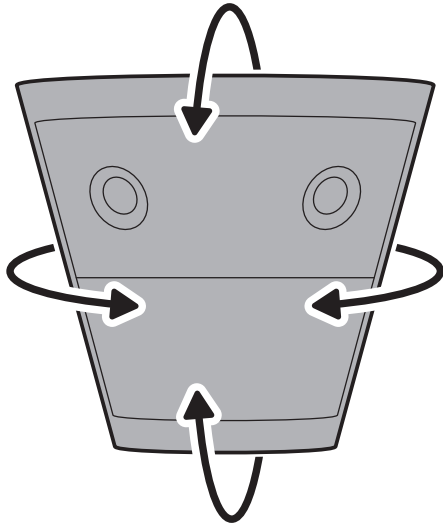


OR



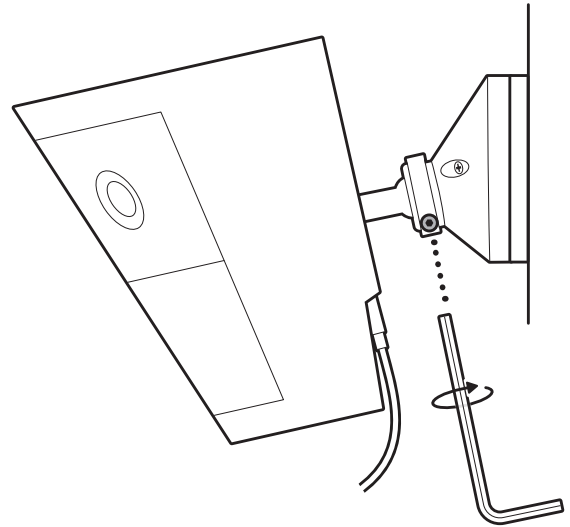
12.

Adjust your camera's angle, if necessary.



13.

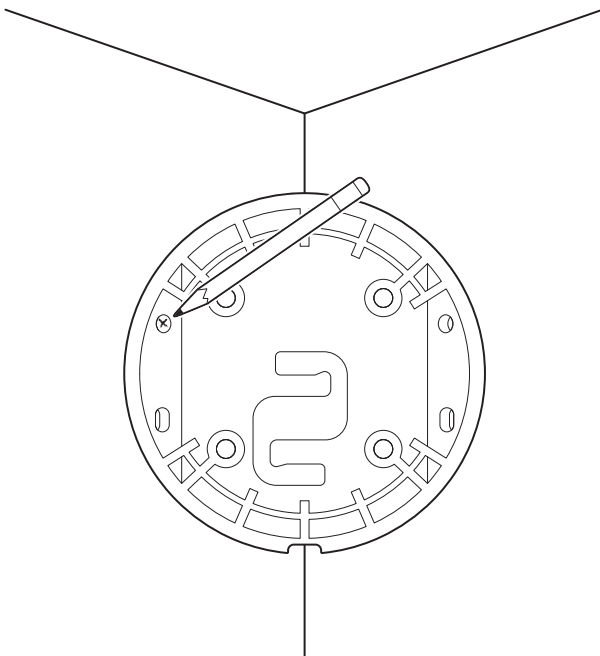
Tighten the screw on the metal collar to secure in place.



Wall corner installation

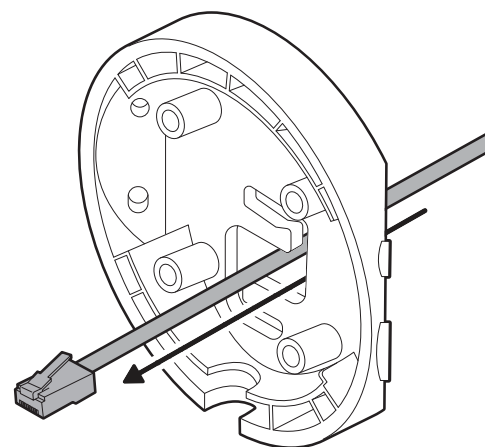
1.

Use the included corner mounting plate as a guide to mark screw holes on an inner wall corner.



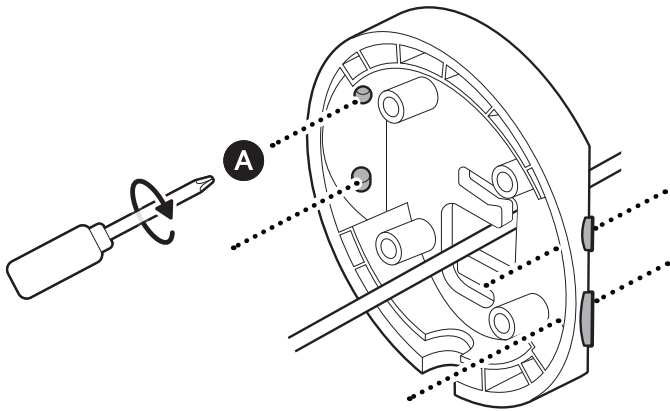
2.

Route the power cable through corner mounting plate.

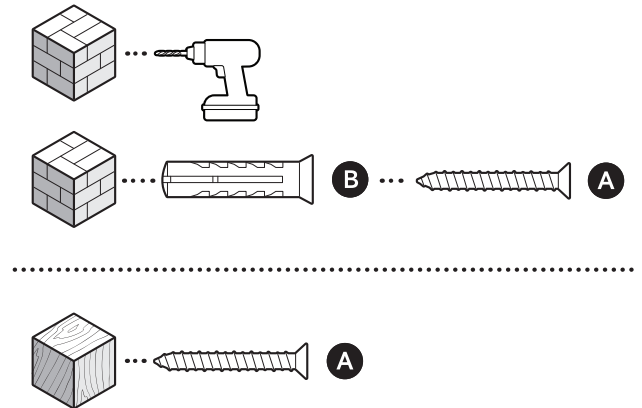


3.

Install the corner mounting plate on the wall corner.

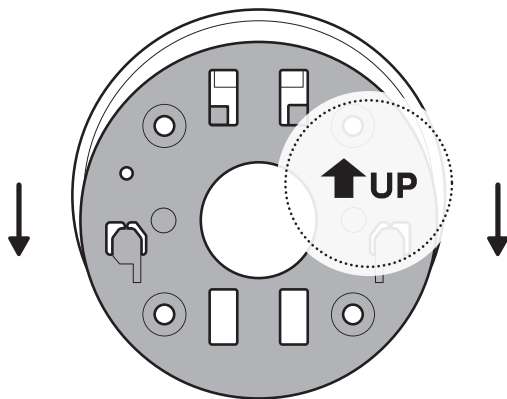


On stucco, brick, or concrete, use a 1/4 in (6 mm) masonry bit to drill holes for the included wall anchors.



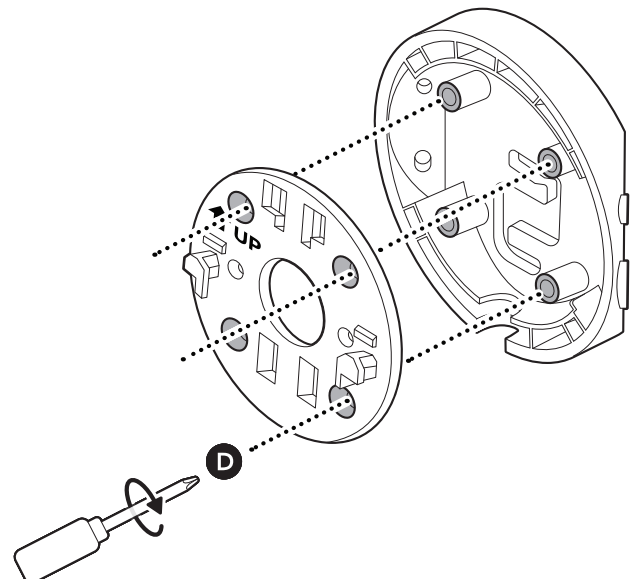
4.

Slide the mounting plate in the direction opposite to the UP arrow to remove.



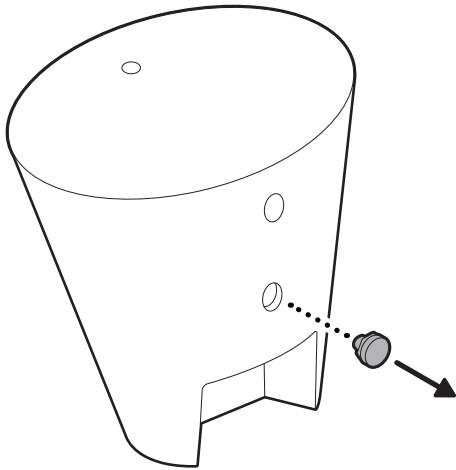
5.

Install the mounting plate onto the corner mounting plate with the UP arrow point up.



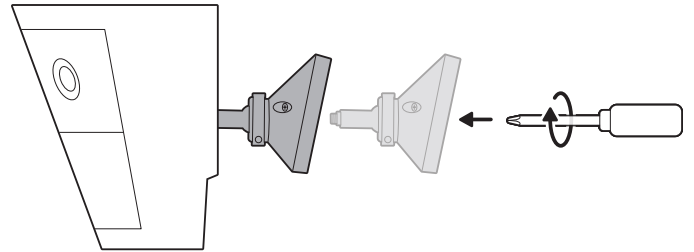
6.

Remove the rubber cap on the back of your camera.



7.

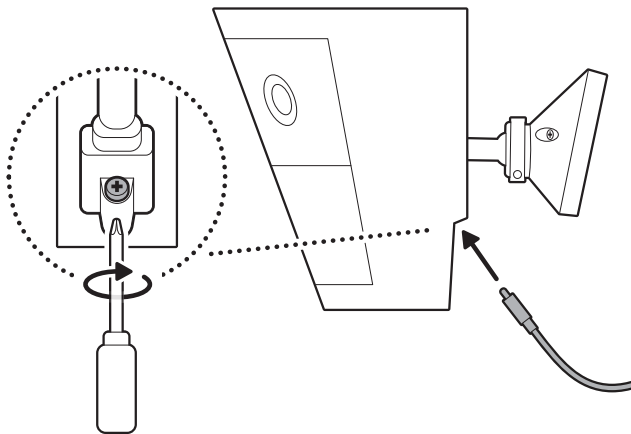
Attach the camera mount to the back of your camera with its screw.



8.

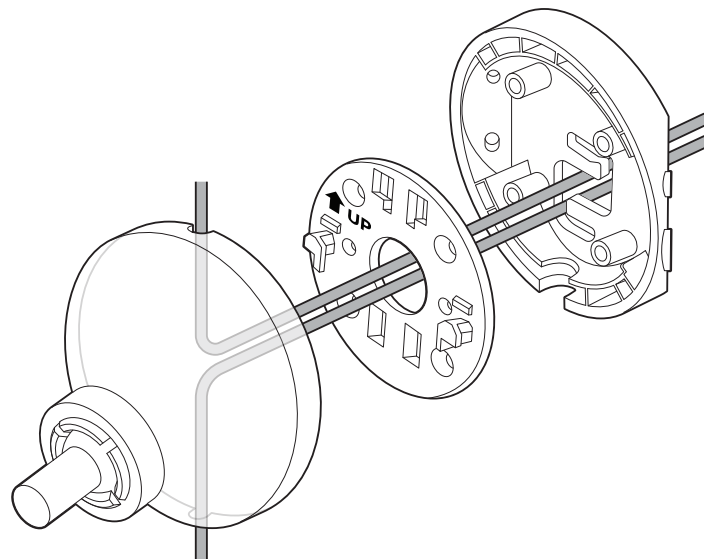
Plug in the power or Ethernet cable into your camera.

NOTE: If using the USB-C cable, tighten the screw to secure it to your camera.



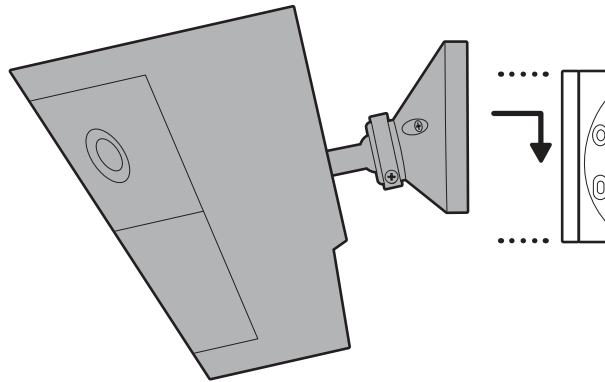
9.

Route the power cable through a slot on the bottom or top of the camera mount.



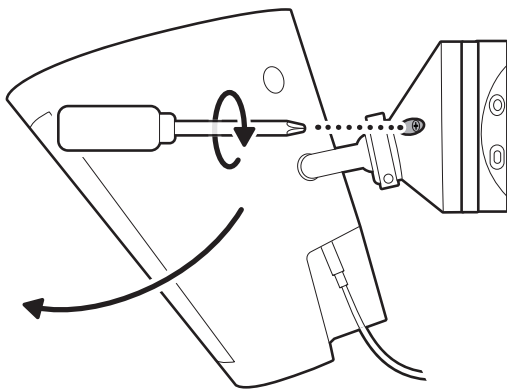
10.

Secure your camera to the mounting plate by sliding until you feel a click.



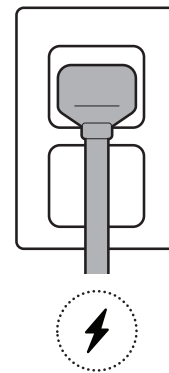
11.

Rotate your camera and tighten the security screw.



12.

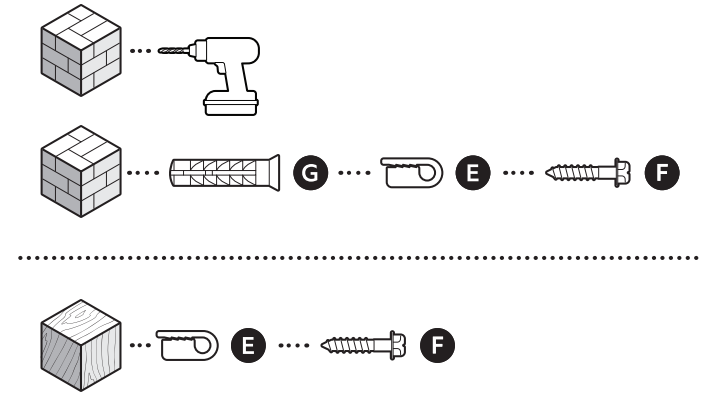
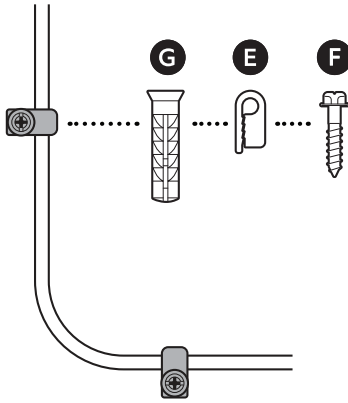
Plug the power adapter into an outlet.



13.

Anchor the power cable to the wall or ceiling with the included cable clips.

On stucco, brick, or concrete, use a 1/4 in (6 mm) masonry bit to drill holes for the included wall anchors.

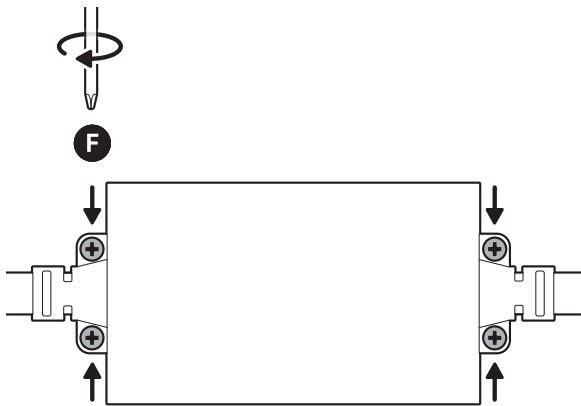


14.

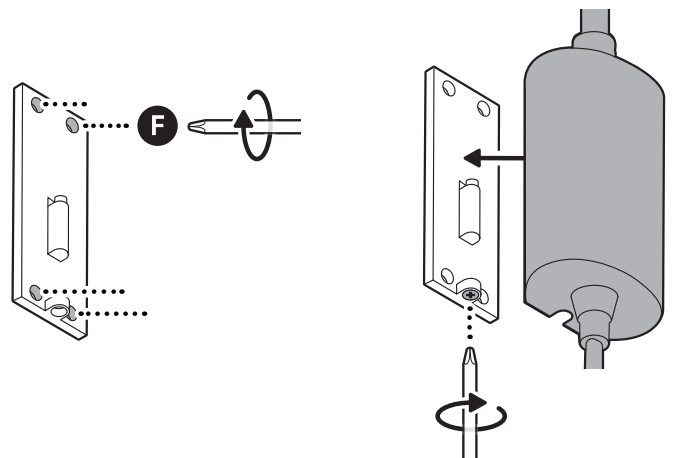
If using the power adapter, secure it to the wall with the included anchors and screws.

NOTE: If your adapter has a mounting plate, secure the mounting plate first, then attach the adapter to the mounting plate.

On stucco, brick, or concrete, use a 1/4 in (6 mm) masonry bit to drill holes for the included wall anchors.

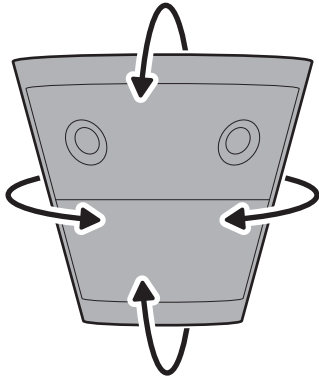


OR



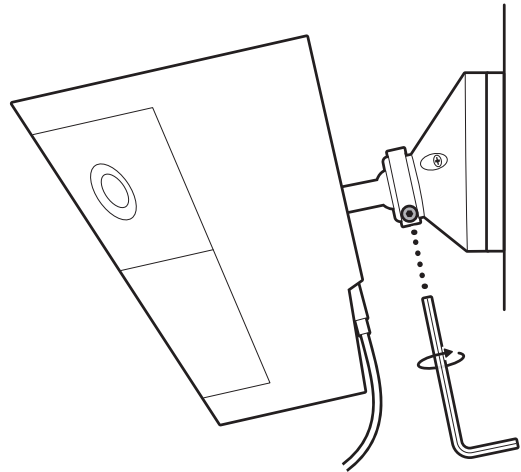
15.

Adjust your camera's angle, if necessary.



16.

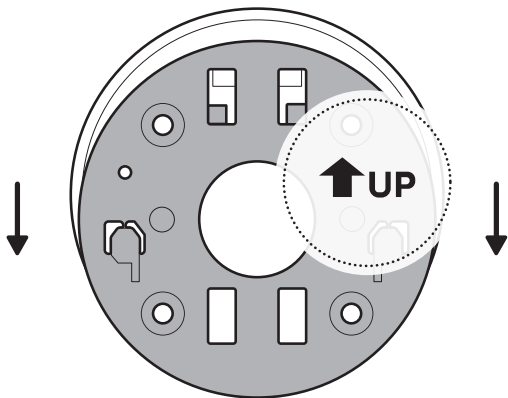
Tighten the screw on the metal collar to secure in place.



Ceiling installation

1.

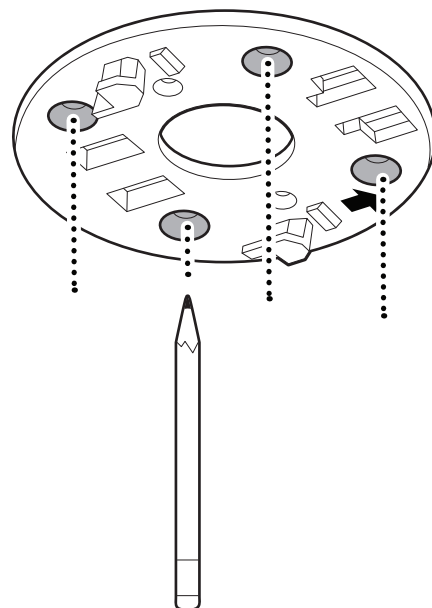
Slide the mounting plate in the direction opposite to the UP arrow to remove.



2.

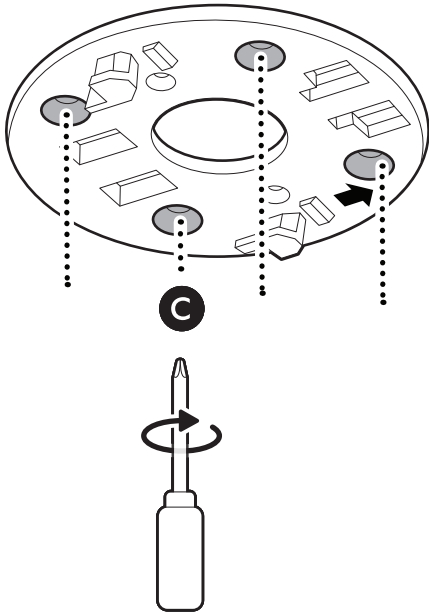
Use the mounting plate as a guide to mark screw holes on the ceiling.

NOTE: The arrow should point toward your desired viewing direction.

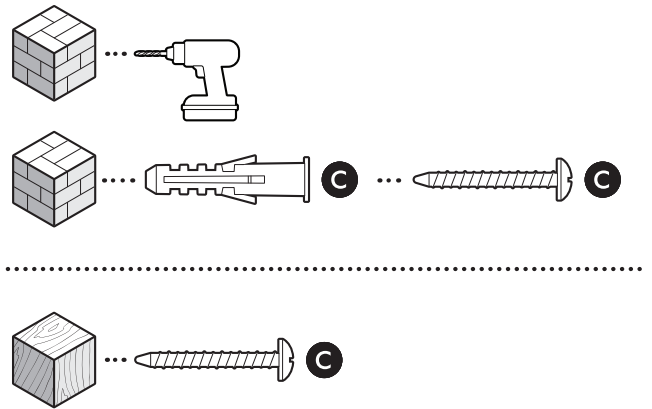


3.

Install the mounting plate.

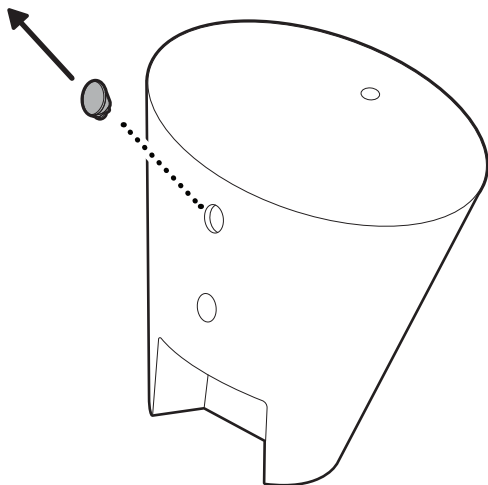


On stucco, brick, or concrete, use a 1/4 in (6 mm) masonry bit to drill holes for the included wall anchors.



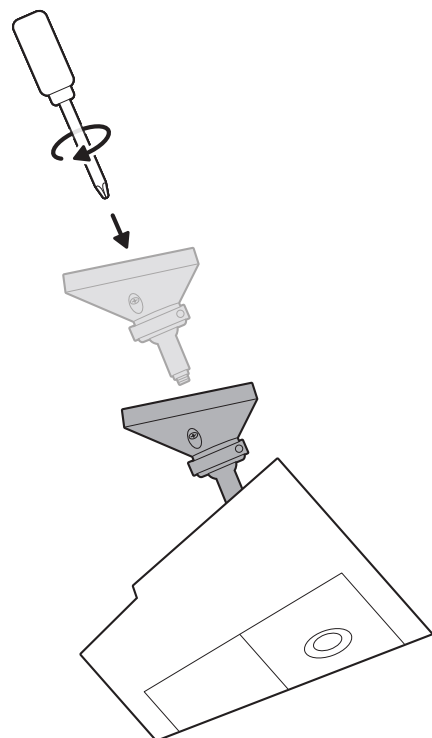
4.

Remove the rubber cap on the back of your camera.



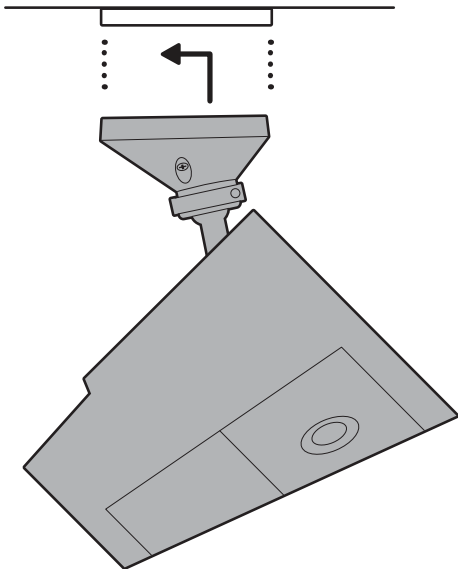
5.

Attach the camera mount to the back of your camera with its screw.



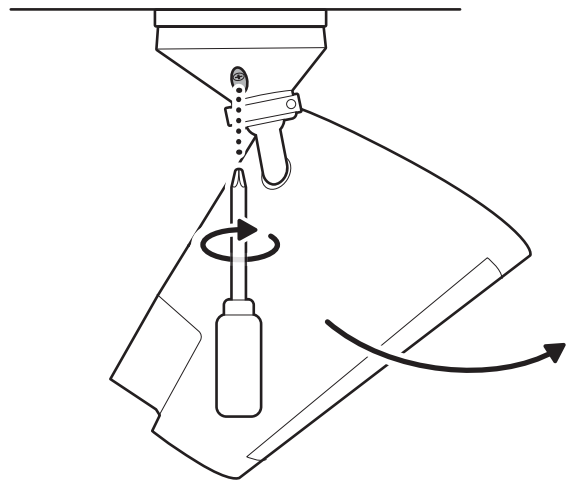
6.

Secure your camera to the mounting plate by sliding until you feel a click.



7.

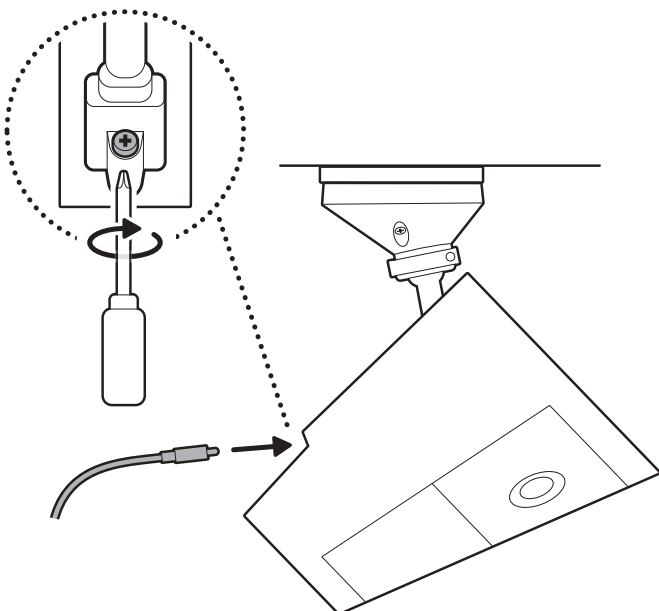
Rotate your camera and tighten the security screw.



8.

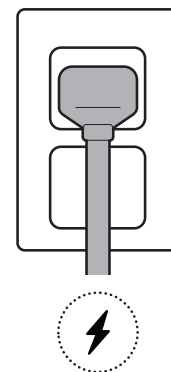
Plug the power or Ethernet cable into your camera.

NOTE: If using the USB-C cable, tighten the screw to secure it to your camera.



9.

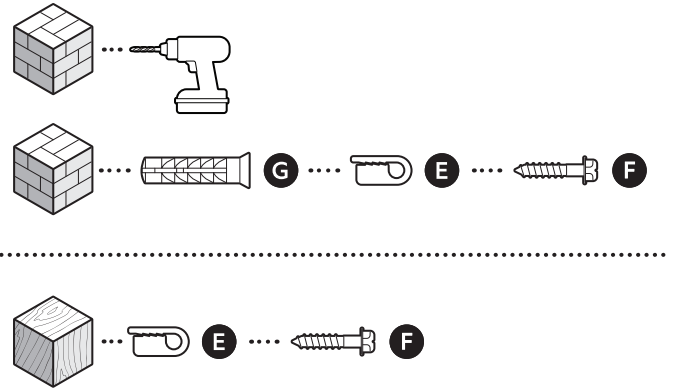
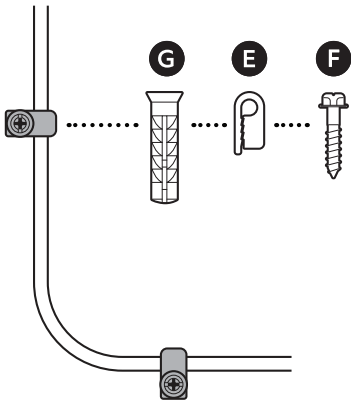
Plug the power adapter into an outlet.



10.

Anchor the power cable to the wall or ceiling with the included cable clips.

On stucco, brick, or concrete, use a 1/4 in (6 mm) masonry bit to drill holes for the included wall anchors.

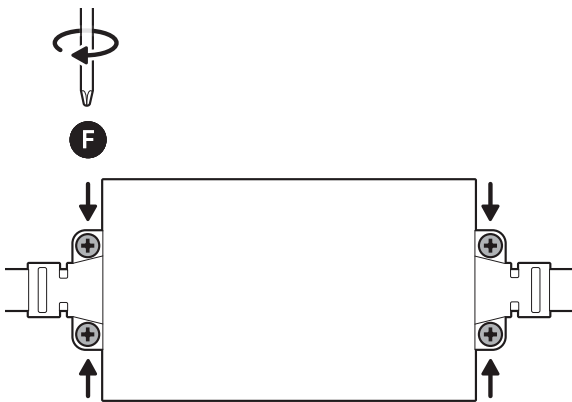


11.

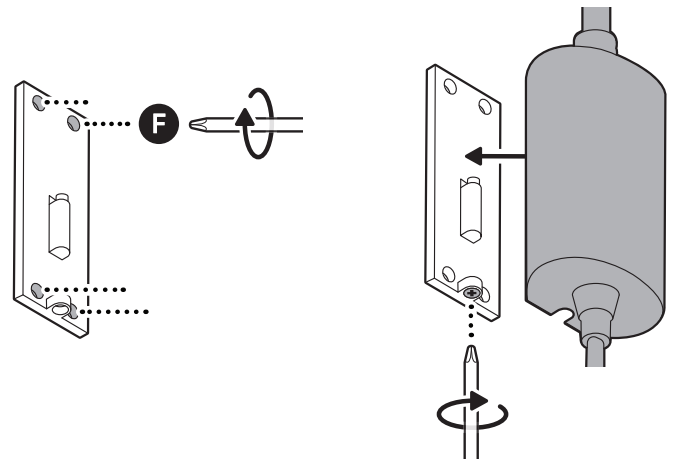
If using the power adapter, secure it to the wall with the included anchors and screws.

NOTE: If your adapter has a mounting plate, secure the mounting plate first, then attach the adapter to the mounting plate.

On stucco, brick, or concrete, use a 1/4 in (6 mm) masonry bit to drill holes for the included wall anchors.

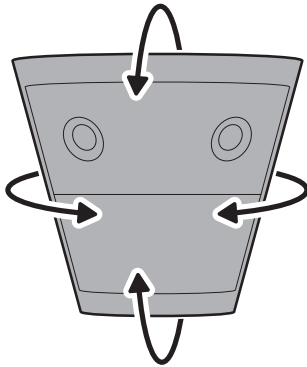


OR



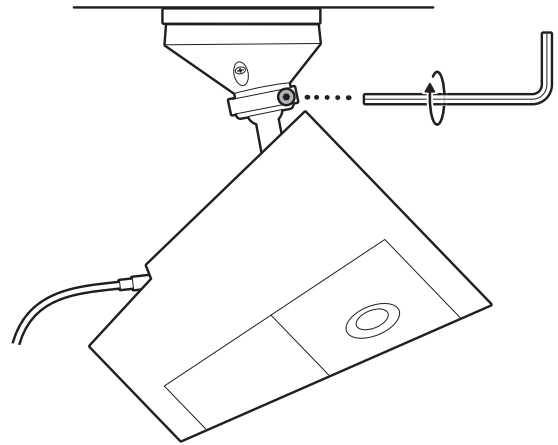
12.

Adjust your camera's angle, if necessary.



13.

Tighten the screw on the metal collar to secure in place.



 ring.com/contact

 ring.com/help