

Hardware included



Tools included



Phillips-head screwdriver

1.

Remove the protective wrap.



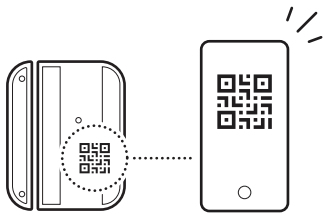
2.

Download the Ring app.



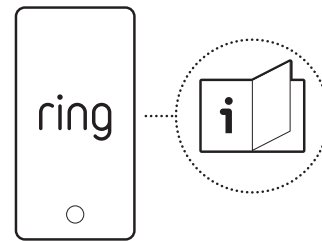
3.

Scan the QR code on your device.



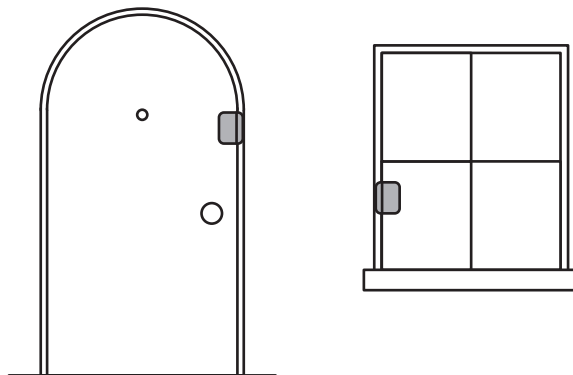
4.

Follow in-app setup.



5.

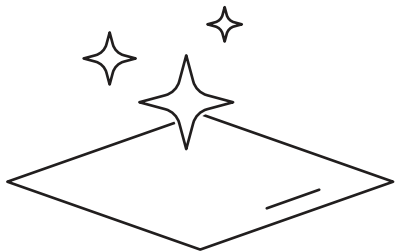
Choose a location with a door or window and frame.



No-drill installation

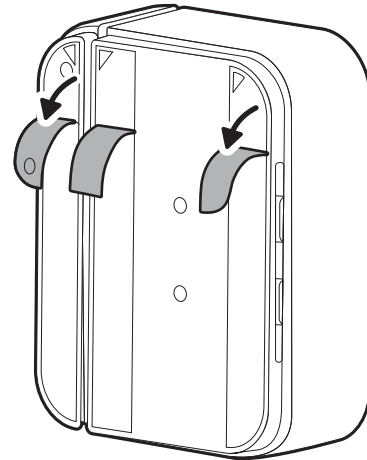
1.

Wipe the area clean and let dry.



2.

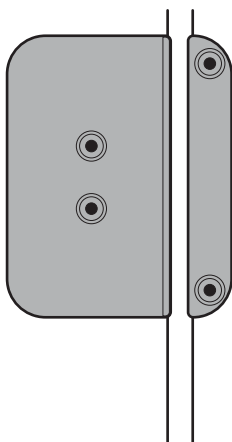
Remove the protective strips from the adhesive backing.



3.

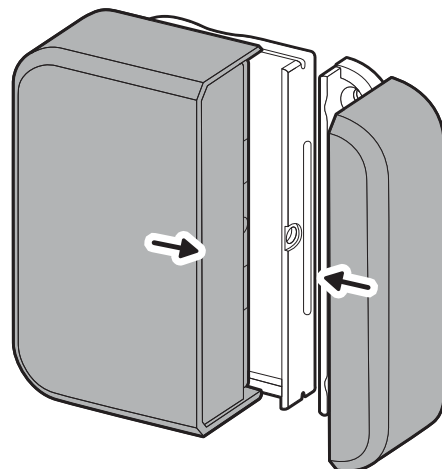
Attach the mounting brackets to the door or window and frame.

NOTE: Ensure no more than 1 in (25.4 mm) between sensor and magnet when closed. Leave at least 1/2 in (12.7 mm) of space to open the battery compartment.



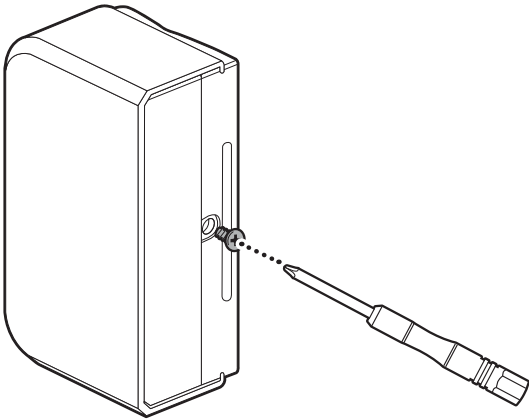
4.

Slide the sensor and magnet onto the mounting brackets to secure.



5.

Secure the sensor and magnet in place with the included screwdriver and screw.

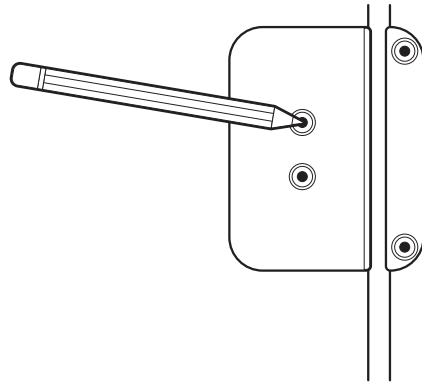


Drill installation

1.

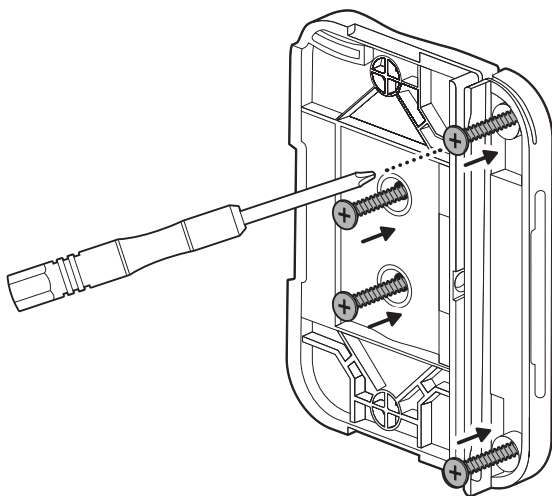
Use the mounting brackets as guides to mark screw holes on the door or window and frame.

NOTE: Ensure no more than 1 in (25.4 mm) between sensor and magnet when closed. Leave at least 1/2 in (12.7 mm) of space to open the battery compartment.

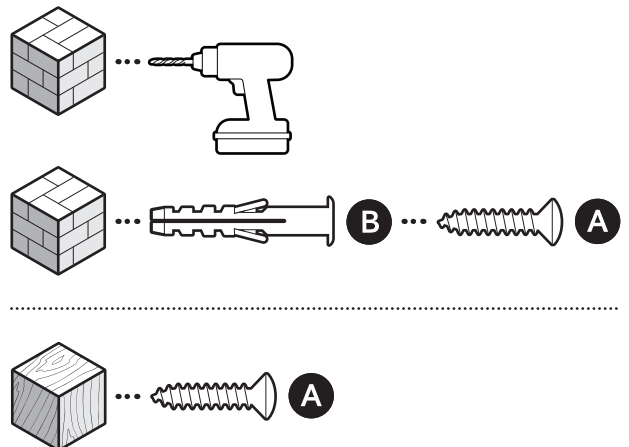


2.

Install the mounting brackets.

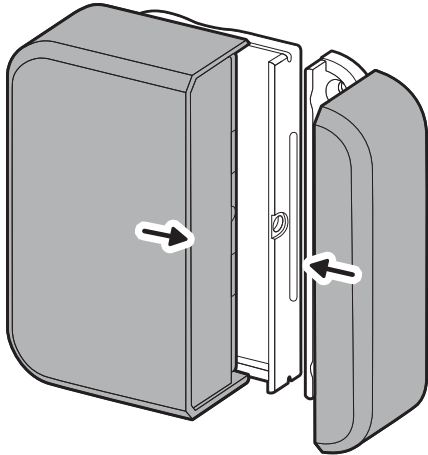


On stucco, brick, or concrete, use a 3/16 in (5 mm) masonry bit to drill holes for the included wall anchors.



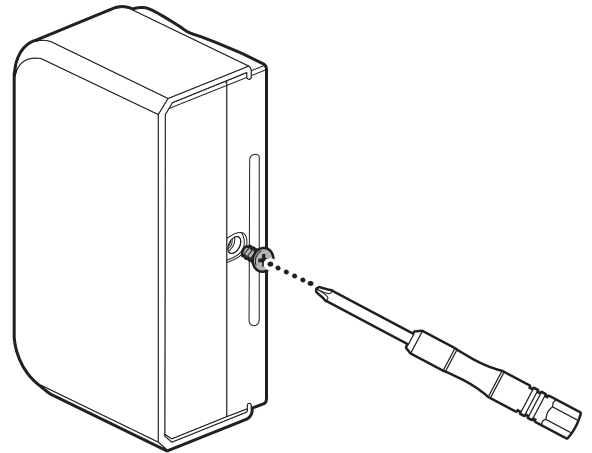
3.

Slide the sensor and magnet onto the mounting brackets to secure.



4.

Secure the sensor and magnet in place with the included screwdriver and screws.



Amazon Sidewalk-enabled device; requires Amazon Sidewalk coverage for use. Coverage may vary by location.

For Amazon Sidewalk information, visit ring.com/sidewalk



ring.com/contact



ring.com/help