

1.

Remove the protective wrap.



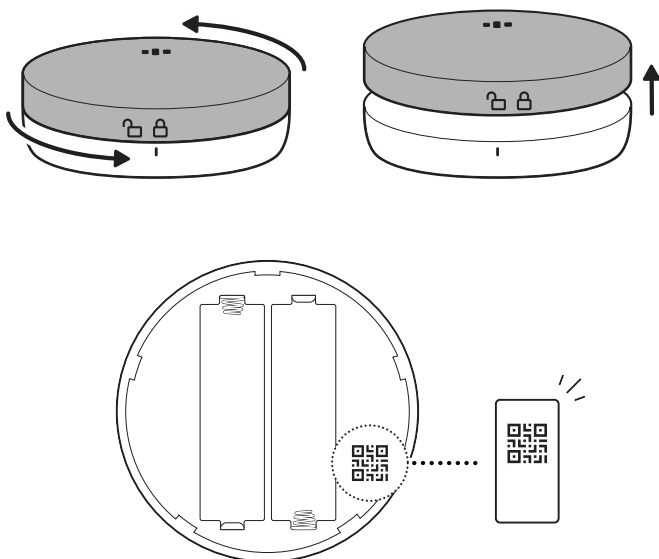
2.

Download the Ring app.



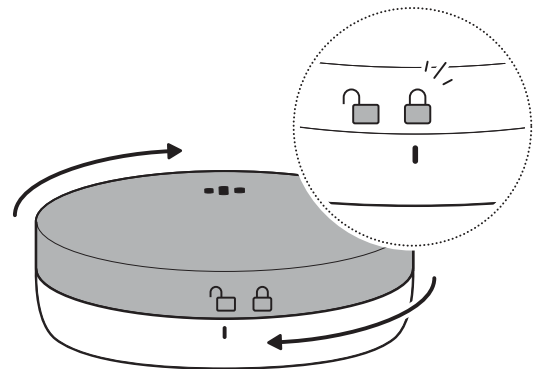
3.

Remove the back cover and scan the QR code.



4.

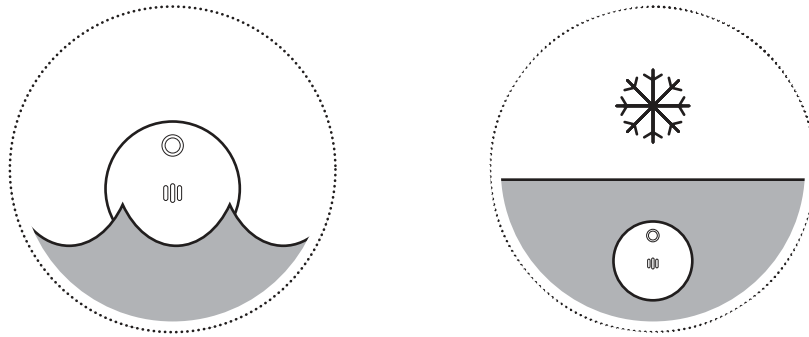
Reattach the back cover by twisting until the line on your device aligns with the lock icon.



Installation

1.

Choose a location near a source of possible flooding or freezing.

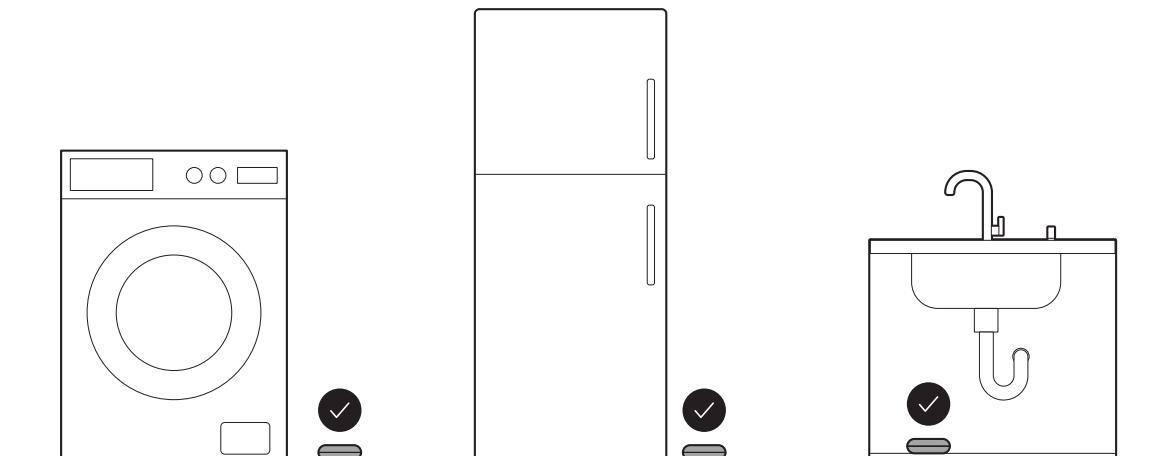


2.

Place your sensor on a level surface with the Ring logo facing up.

NOTE: For best results, position the sensor at the lowest point of the area you want to monitor, where it won't be accidentally kicked or moved.

CAUTION! Do not submerge in any liquid.



Amazon Sidewalk-enabled device; requires Amazon Sidewalk coverage for use. Coverage may vary by location. For Amazon Sidewalk information, visit ring.com/sidewalk



ring.com/contact



ring.com/help