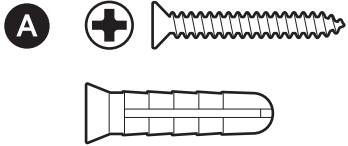
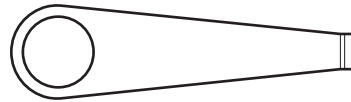


Hardware included

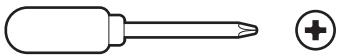


Tools included

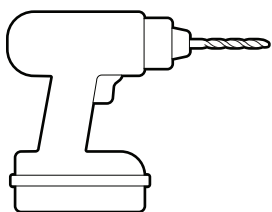


Removal tool

Tools needed



Phillips-head screwdriver



Drill with a 1/4 in (6 mm) masonry bit (optional)

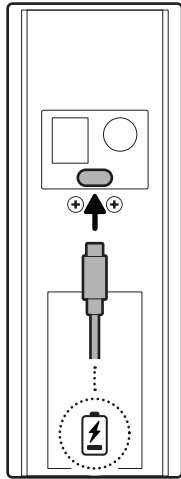
1.

Remove the protective wrap.



2.

Fully charge battery with a USB-C cable (not included).



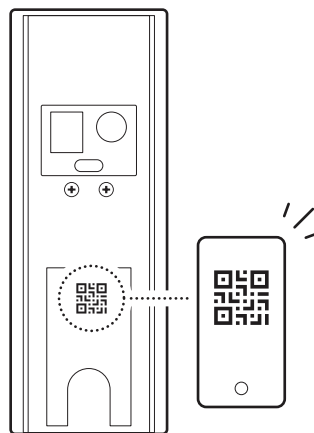
3.

Download the Ring app.



4.

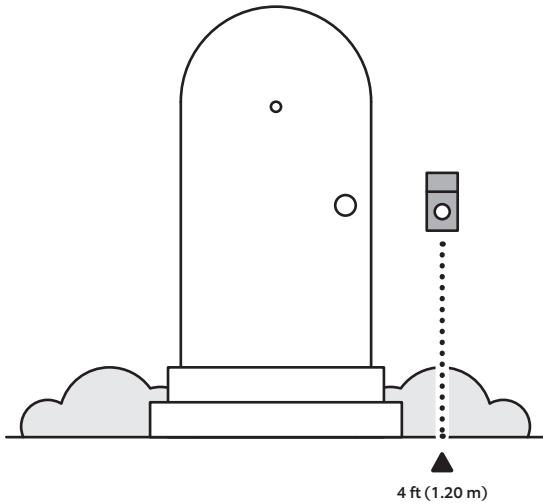
Scan the QR code on your device.



Installation without an existing chime

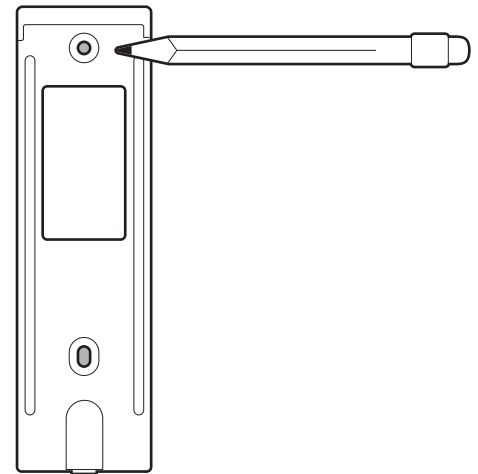
1.

Choose a location for your doorbell.



2.

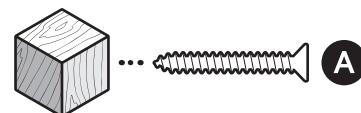
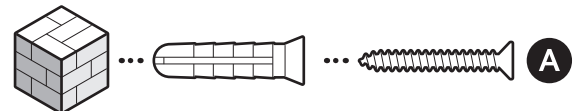
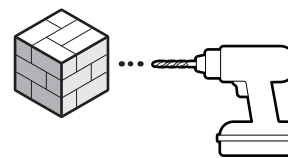
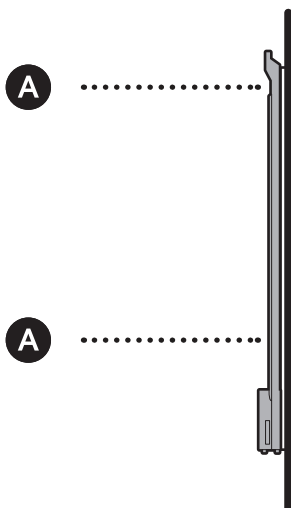
Use the mounting bracket as a guide to mark screw holes on the wall.



3.

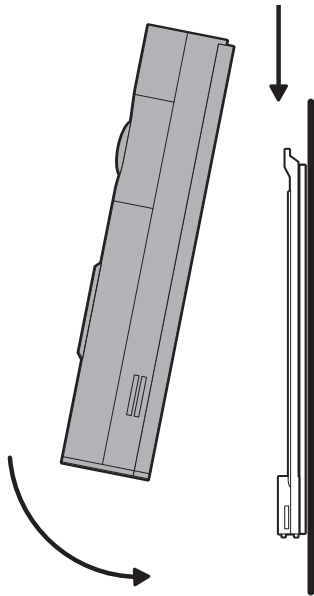
Install the mounting bracket directly onto the mounting surface with the included screws.

(Optional) On stucco, brick, or concrete, use a 6 mm (1/4 in) masonry bit to drill holes for the included wall anchors.



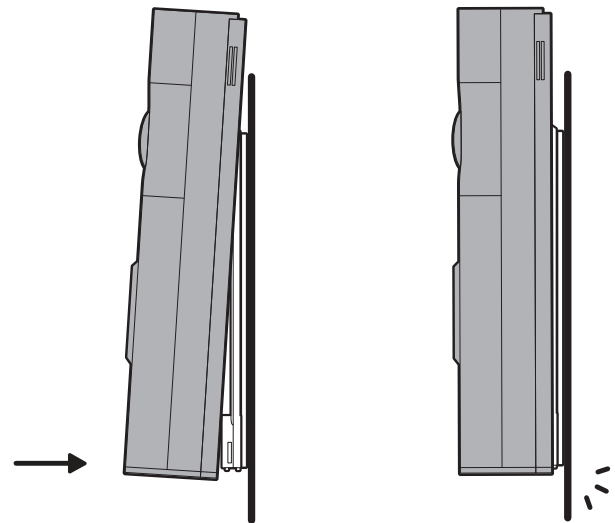
4.

Mount your doorbell by hooking it over the bracket.



5.

Press until you hear a click to secure.



Installation with an existing chime

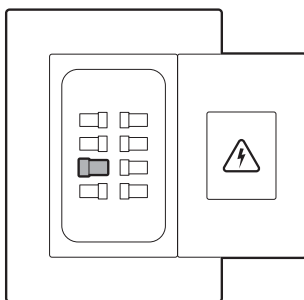
1.

Shut off power at the breaker.

NOTE: If you are unsure which breaker to flip, turn off the master breaker or contact an electrician.

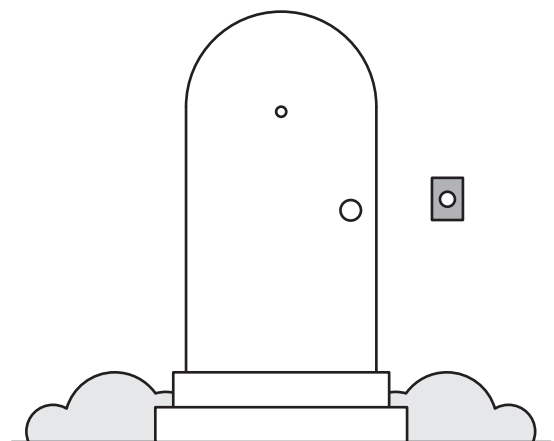


CAUTION! You'll be working with electrical wires during the install process. If you encounter damaged or unsafe wiring, or if you are unsure, uncomfortable, or inexperienced, please consult with a licensed electrician. Do not wire your Ring Doorbell to a DC-powered intercom system.



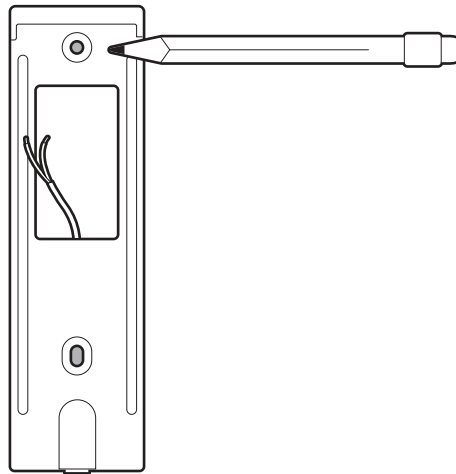
2.

Locate your existing doorbell and remove, if necessary.



3.

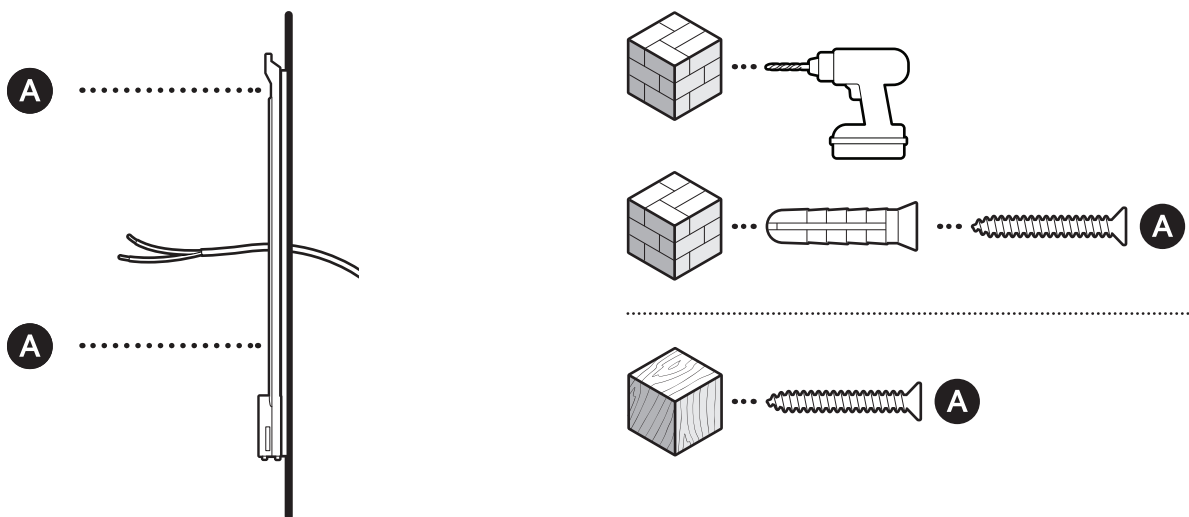
Use the mounting bracket as a guide to mark screw holes on the wall.



4.

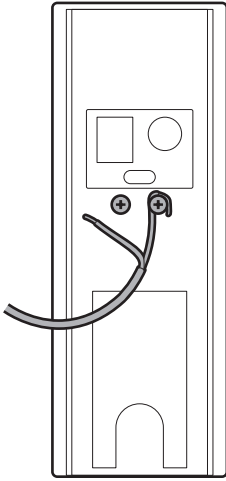
Install the mounting bracket directly over the doorbell wiring with the included screws.

(Optional) On stucco, brick, or concrete, use a 6 mm (1/4 in) masonry bit to drill holes for the included wall anchors.



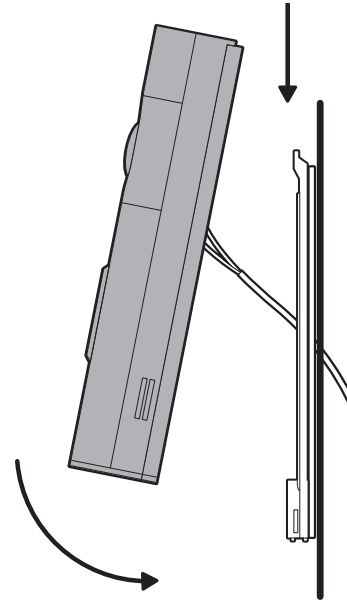
5.

Connect the doorbell wiring to your doorbell's wire terminals.



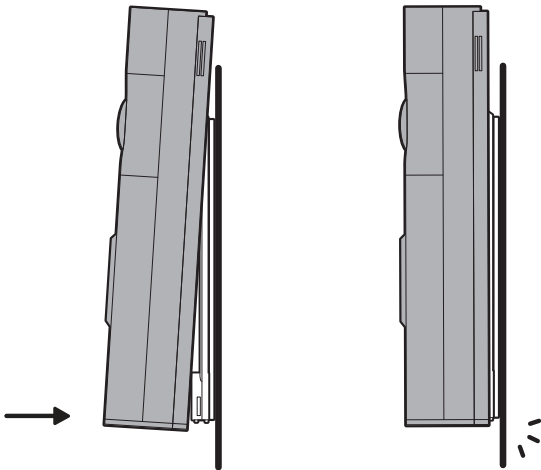
6.

Mount your doorbell by hooking it over the bracket.



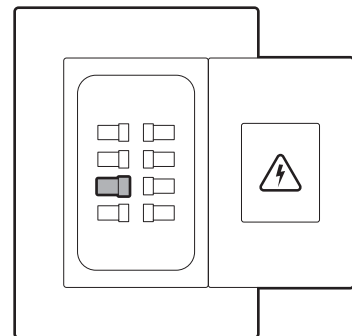
7.

Press until you hear a click to secure.



8.

Restore power at the breaker.

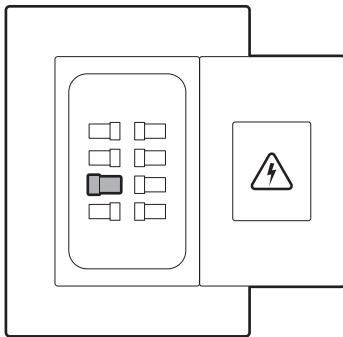


Charging your doorbell

1.

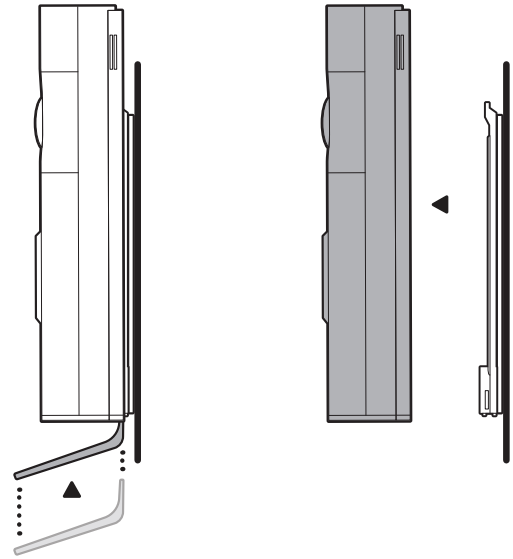
If your doorbell is connected to an existing chime, shut off power at the breaker.

NOTE: If you are unsure which breaker to flip, turn off the master breaker or contact a licensed electrician.



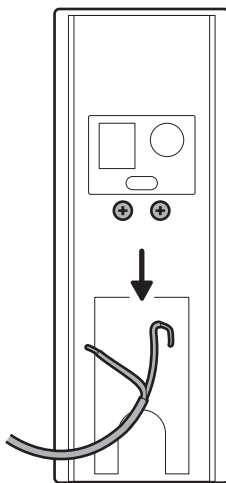
2.

Insert removal tool to release your doorbell from its bracket.



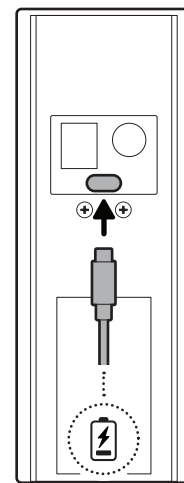
3.

Disconnect any wiring connected to the doorbell.



4.

Fully charge your doorbell using a USB-C cable (not included).





ring.com/contact



ring.com/help