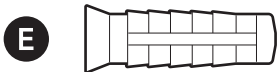
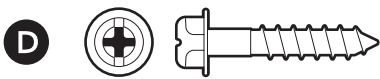
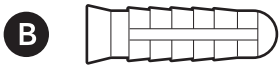


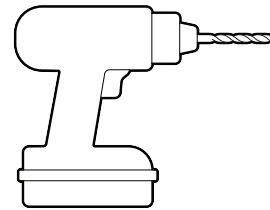
Hardware included



Tools needed



Phillips-head screwdriver

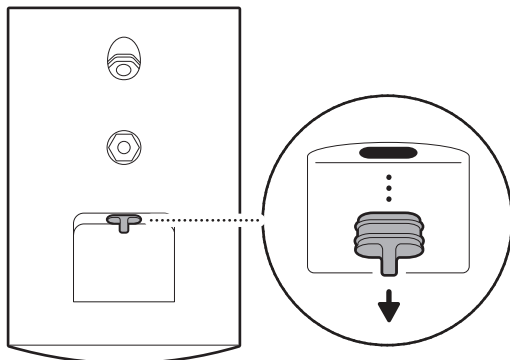


Drill with 6 mm masonry bit (optional)

1.

Remove the rubber cap from your camera's power port.

**NOTE:** Store the rubber cap in a safe place. Reinsert it into the power port when not using the power adapter.



2.

Download the Ring Always Home app.



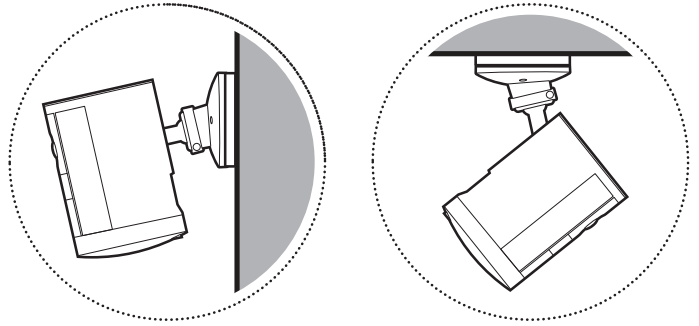
3.

Scan the QR code on your device.



4.

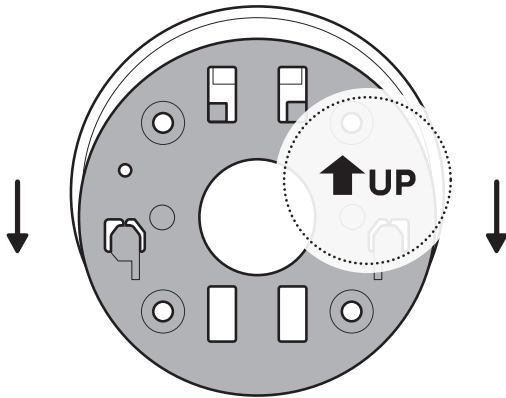
Choose a location near an outlet.



## Wall installation

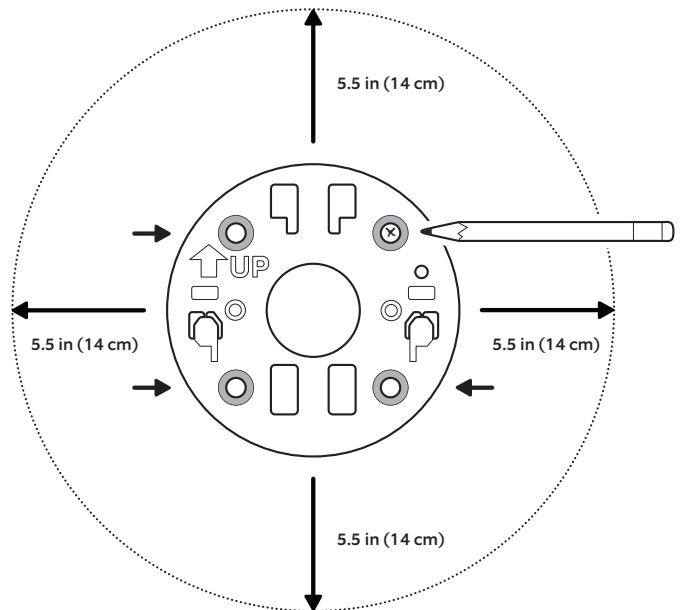
1.

Slide the mounting plate in the direction opposite to the UP arrow to remove.



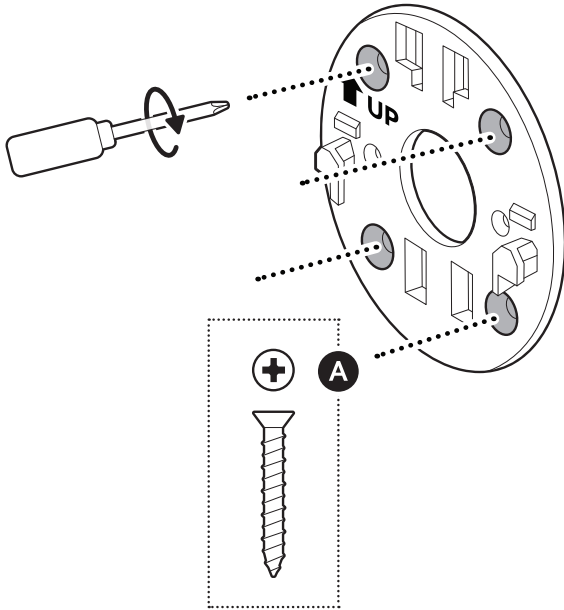
2.

Use the mounting plate as a guide to mark screw holes on the wall with 5.5 in (14 cm) of space in every direction.

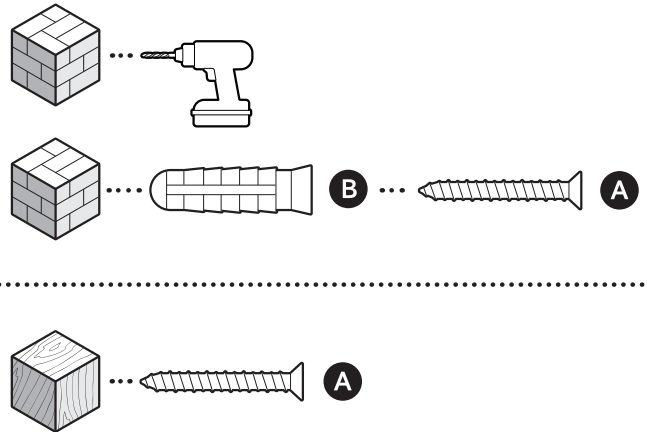


3.

Install the mounting plate with the UP arrow pointing up.

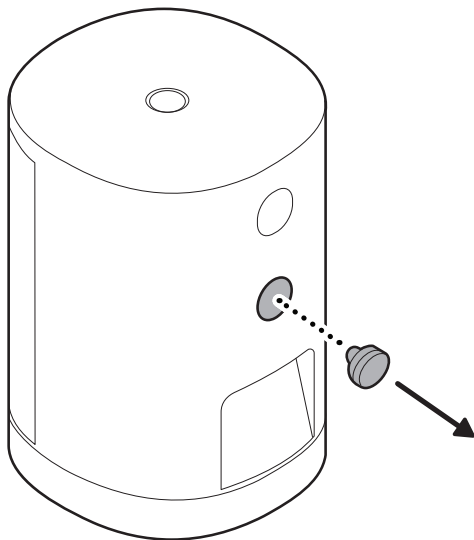


On stucco, brick, or concrete, use a 1/4 in (6 mm) masonry bit to drill holes for the included wall anchors.



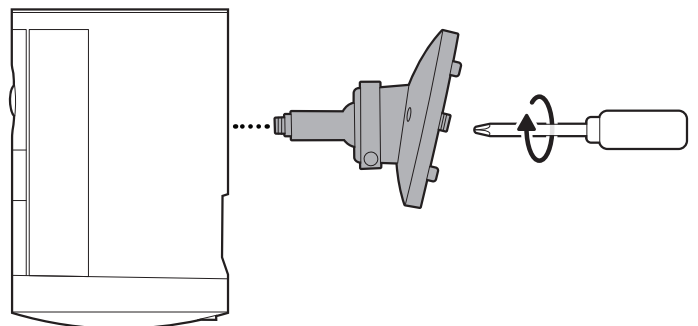
4.

Remove the middle rubber cap on the back of your camera.



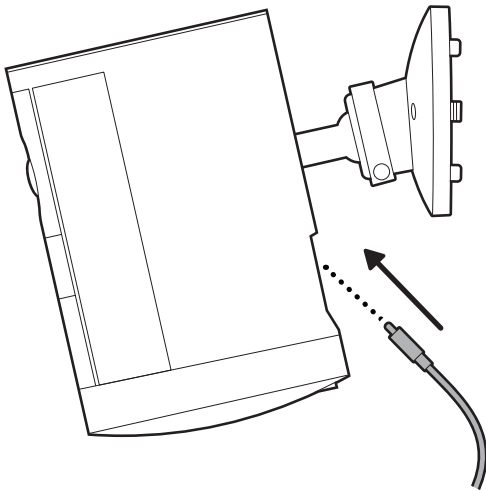
5.

Attach the camera mount to the back of your camera with its screw.



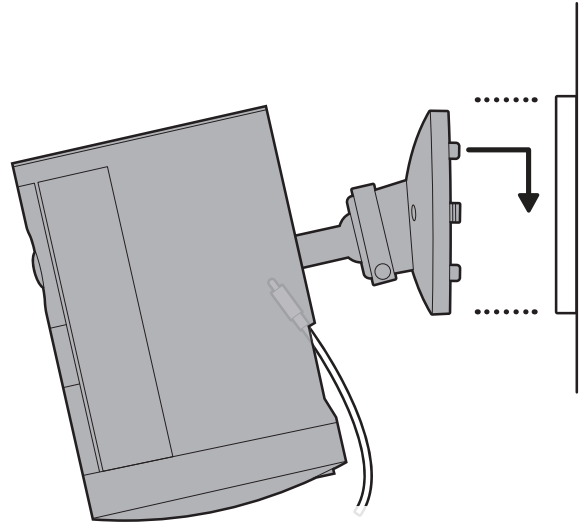
6.

Plug the power cable into your camera, ensuring it is fully inserted.



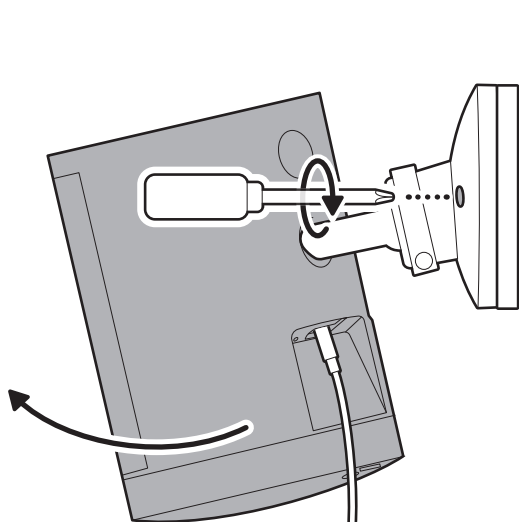
7.

Secure your camera to the mounting plate by sliding until you feel a click.



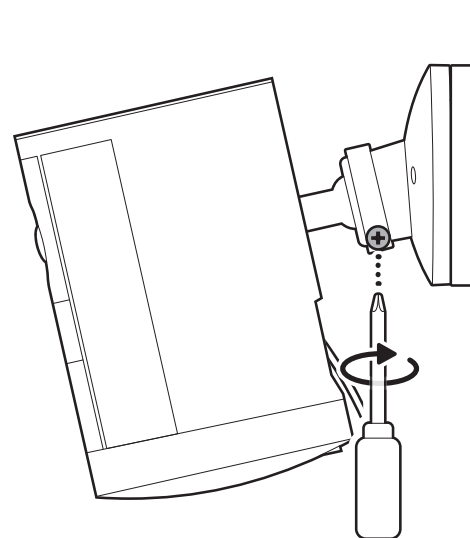
8.

Rotate your camera and tighten the security screw.



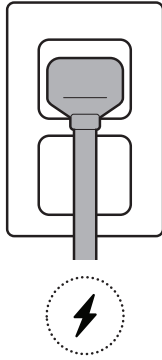
9.

Adjust your camera's position and tighten the ball joint to secure in place.



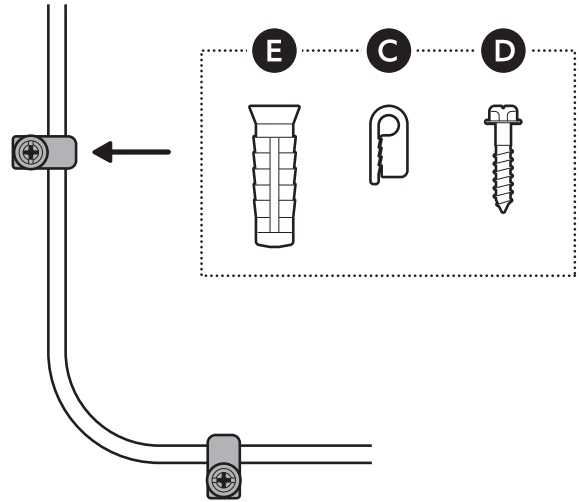
10.

Plug the power adapter into an outlet.



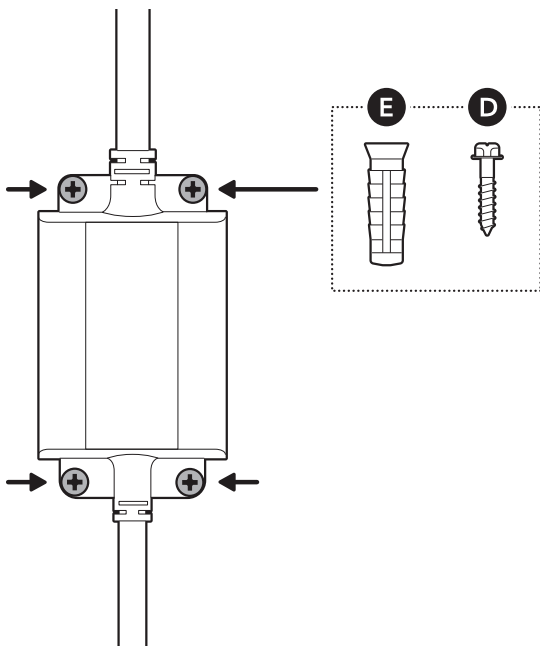
11.

Anchor the power cable to the wall or ceiling with the included cable clips.

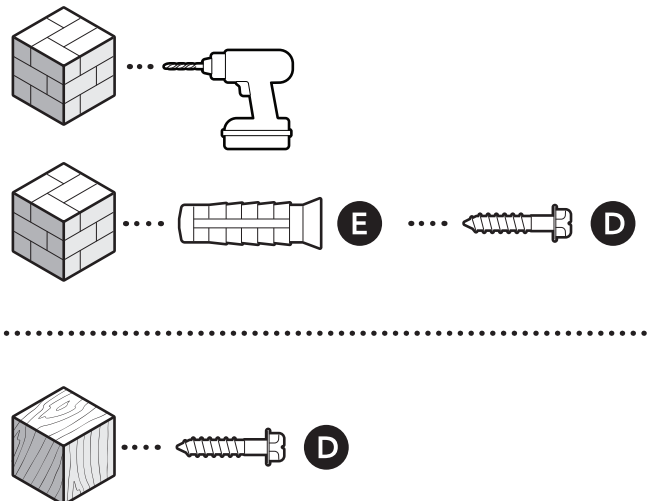


12.

Secure the power adapter with the included anchors and screws.



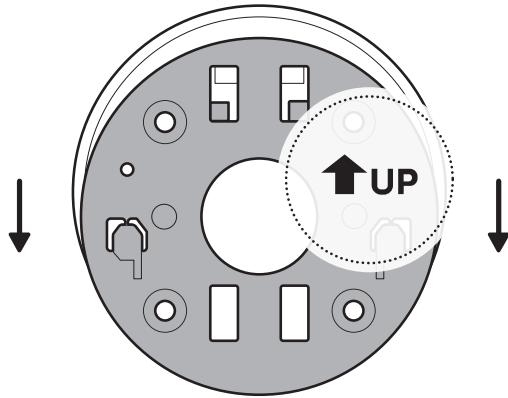
On stucco, brick, or concrete, use a 1/4 in (6 mm) masonry bit to drill holes for the included wall anchors.



## Ceiling installation

1.

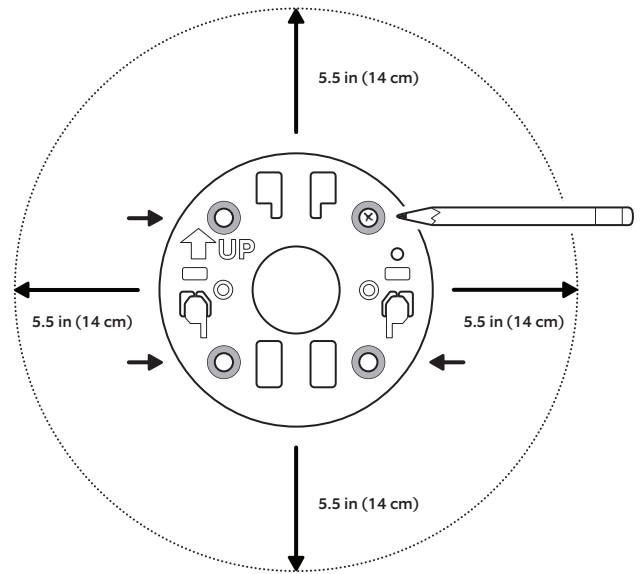
Slide the mounting plate in the direction opposite to the UP arrow to remove.



2.

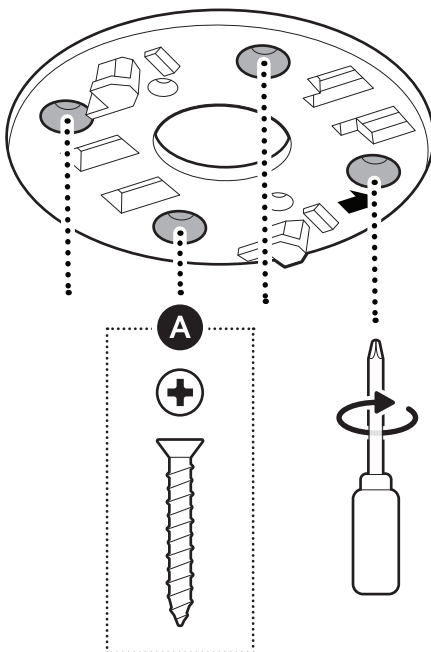
Use the mounting plate as a guide to mark screw holes on the ceiling with 5.5 in (14 cm) of space in every direction.

**NOTE:** For best results, avoid locations with nearby objects that can interfere with your camera's field of view.

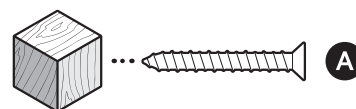
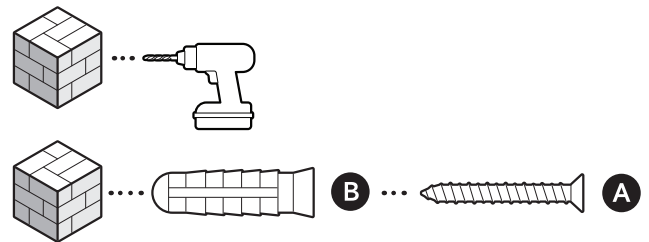


3.

Install the mounting plate with the UP arrow pointing toward your desired viewing direction.

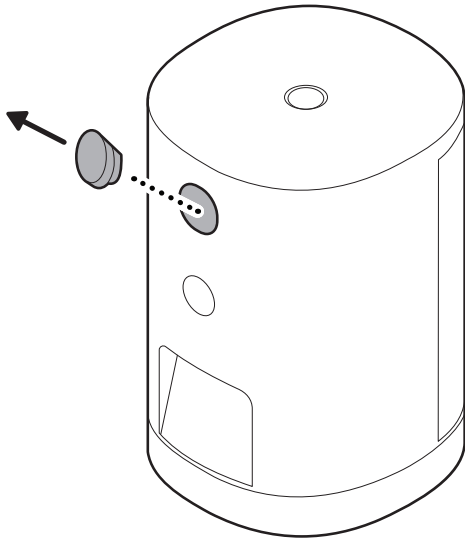


On stucco, brick, or concrete, use a 1/4 in (6 mm) masonry bit to drill holes for the included wall anchors.



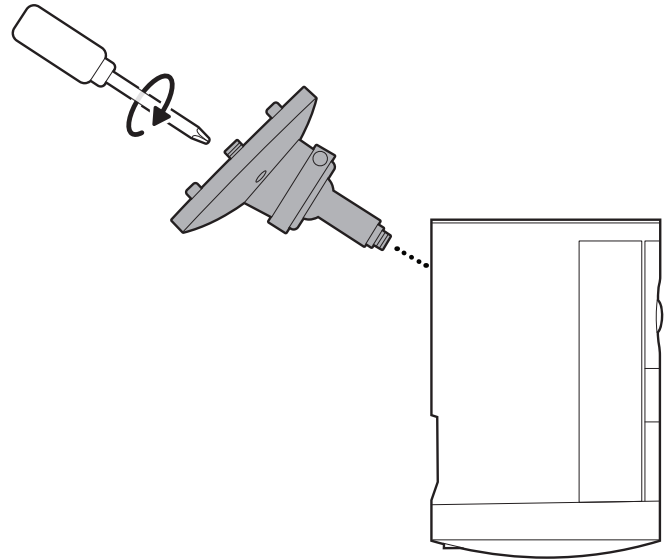
4.

Remove the top rubber cap on the back of your camera.



5.

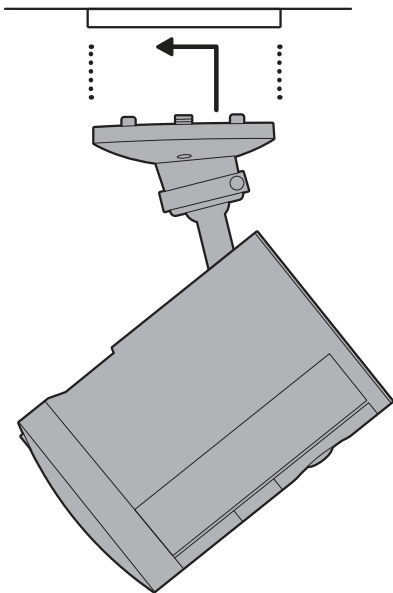
Attach the camera mount to the back of your camera with its screw.



6.

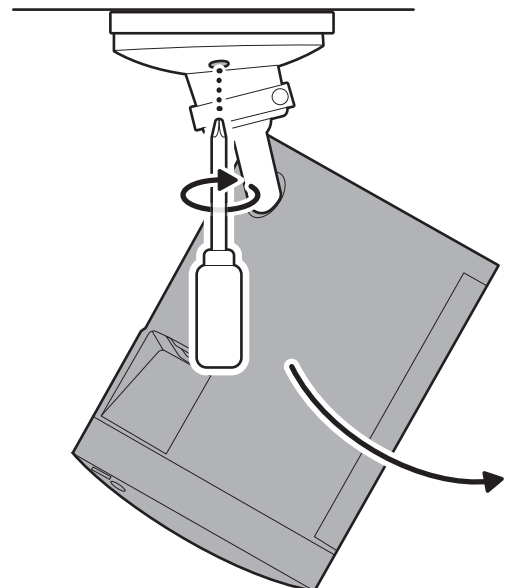
Secure your camera to the mounting plate by sliding until you feel a click.

**NOTE:** Your camera should be in an upright position.



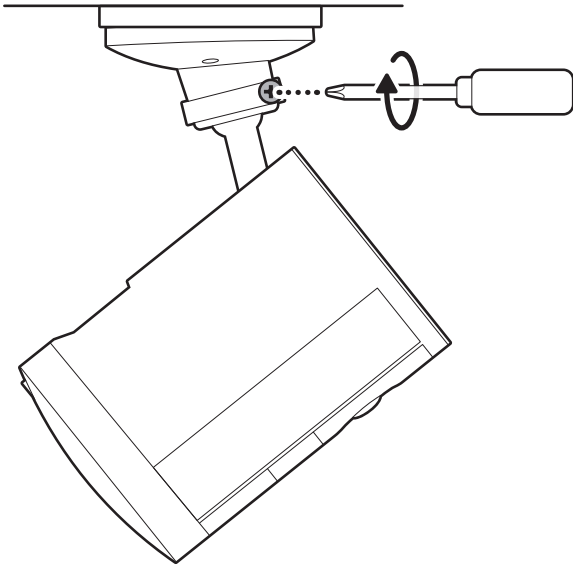
7.

Rotate your camera and tighten the security screw.



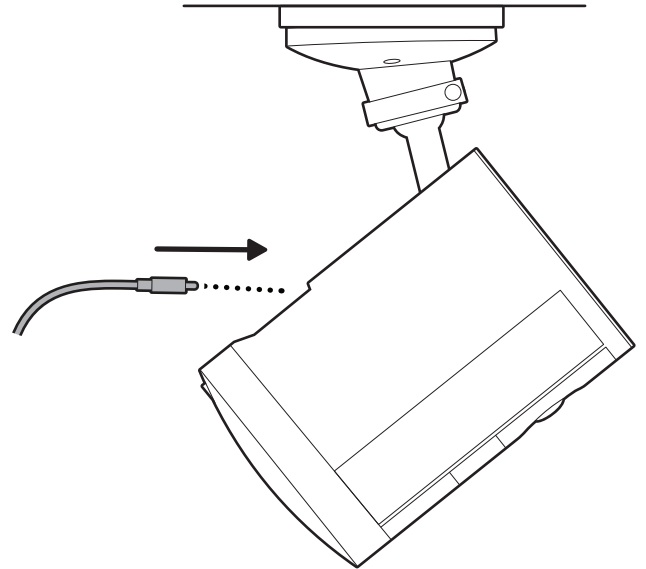
8.

Adjust your camera's position and tighten the ball joint to secure in place.



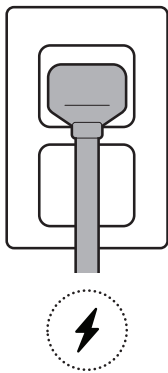
9.

Plug the power cable into your camera, ensuring it is fully inserted.



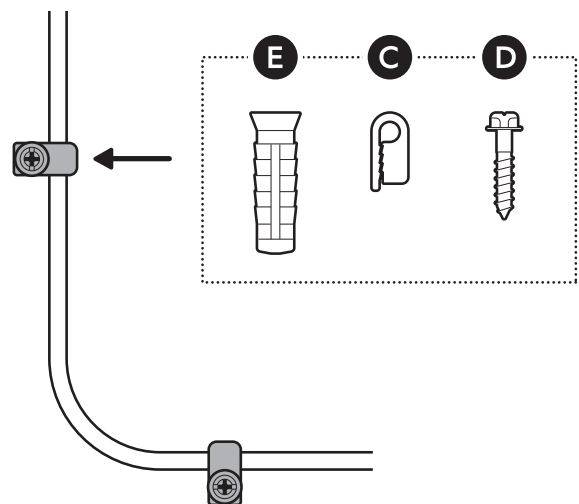
10.

Plug the power adapter into an outlet.



11.

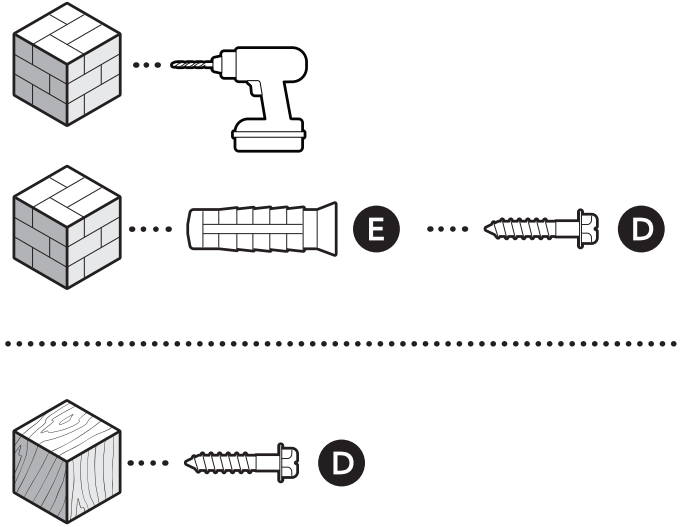
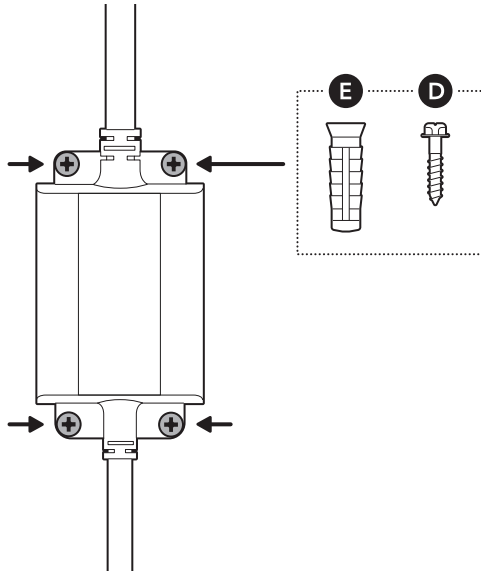
Anchor the power cable to the wall or ceiling with the included cable clips.





12.

Secure the power adapter with the included anchors and screws.

On stucco, brick, or concrete, use a 1/4 in (6 mm) masonry bit to drill holes for the included wall anchors.



-  [ring.com/contact](https://ring.com/contact)
-  [ring.com/help](https://ring.com/help)