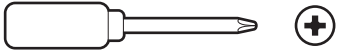


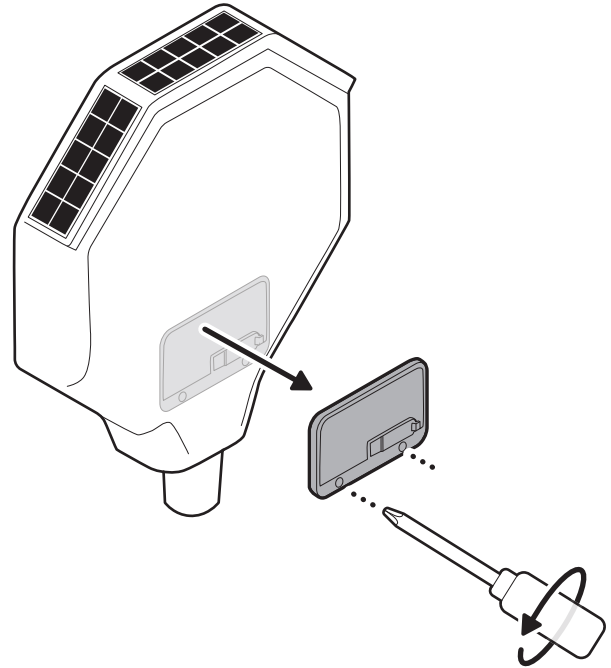
Tools Needed



Phillips-head screwdriver

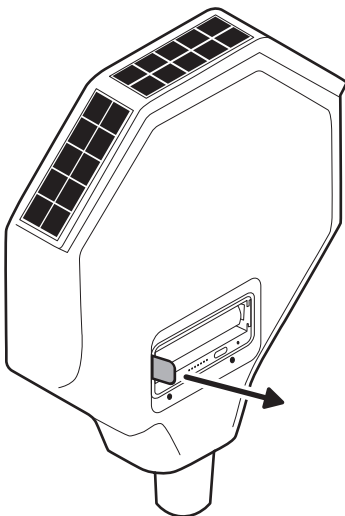
1.

Unscrew to remove the back cover.



2.

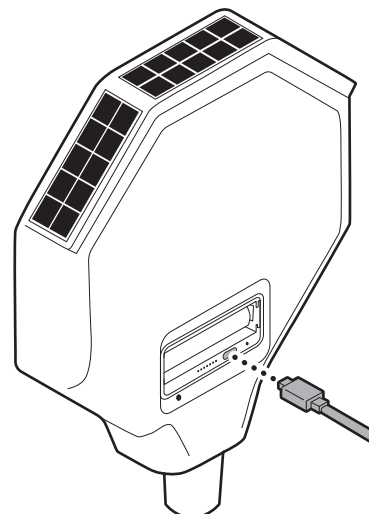
Remove the battery pull-tab.



3.

Fully charge your sign with a USB-C cable (not included).

NOTE: Your light will pulse while charging and glow continuously once fully charged.



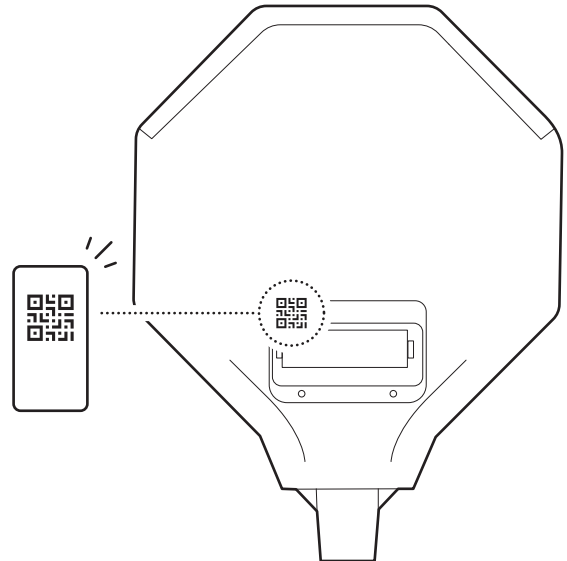
4.

Download the Ring app.



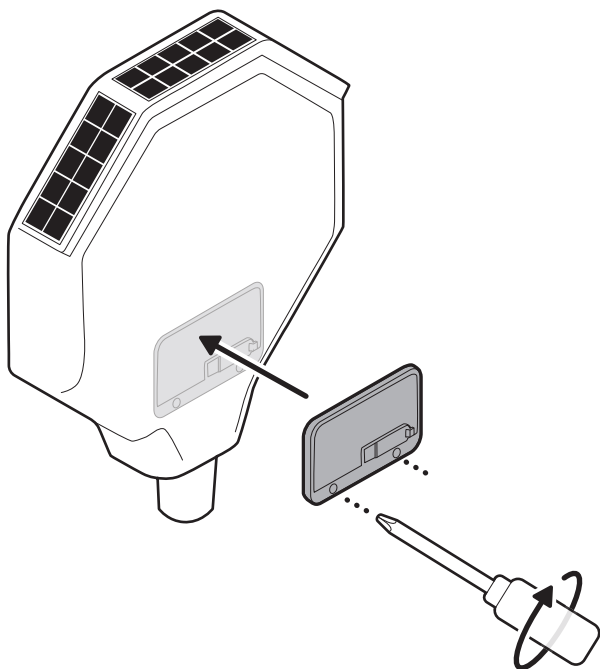
5.

Scan the QR code on your device.



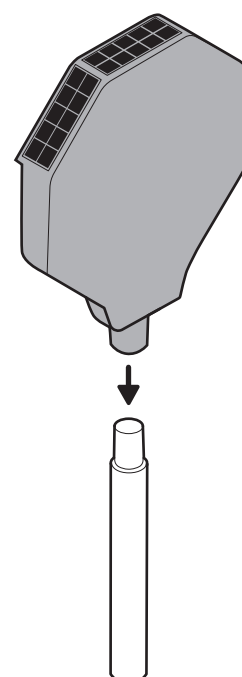
6.

Reattach the back cover.



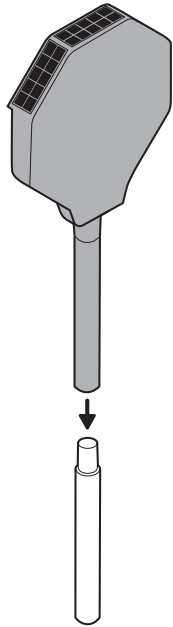
7.

Connect your sign to a pole.



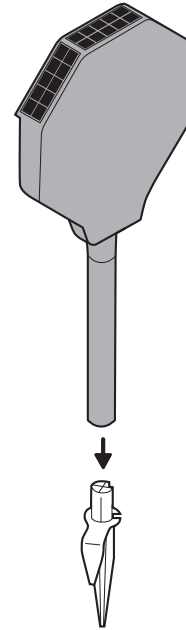
8.

Connect the second pole, if necessary.



9.

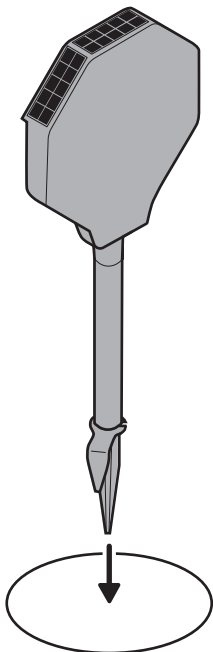
Connect the stake.




10.

Drive the stake into the ground.

NOTE: Push it down with your foot, if necessary.



 ring.com/contact

 ring.com/help