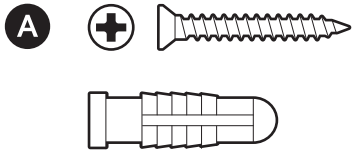
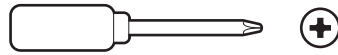


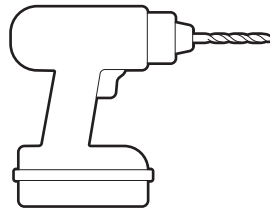
Hardware included



Tools needed



Phillips-head screwdriver



Drill with 3/16 in (5 mm) masonry bit (optional)

1.

Remove the protective wrap.



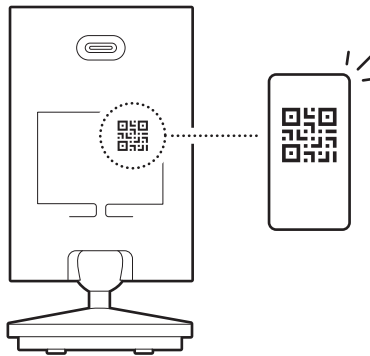
2.

Download the Ring app.



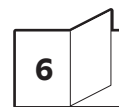
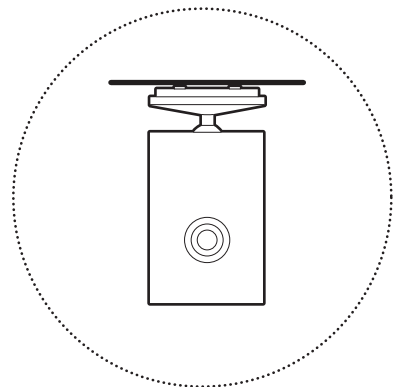
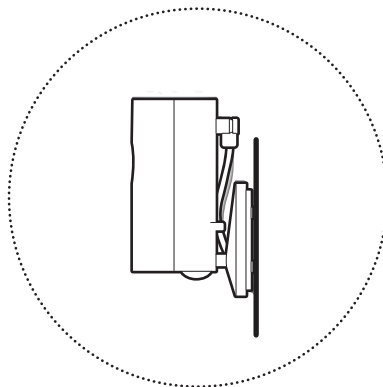
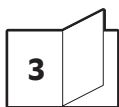
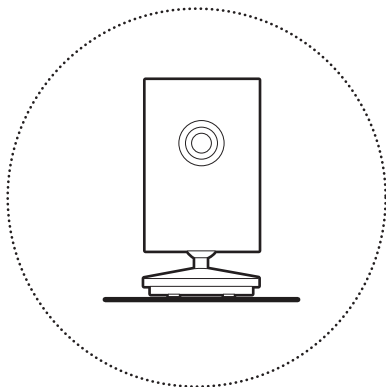
3.

Scan the QR code on your device.



4.

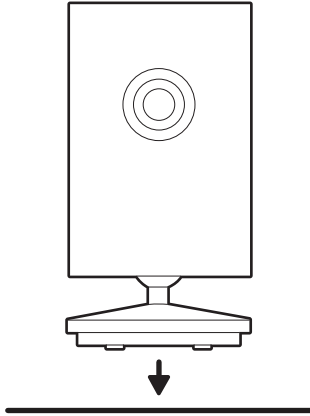
Choose a location.



## Flat installation

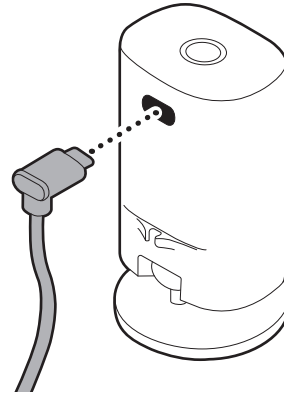
1.

Place your camera on a level surface.



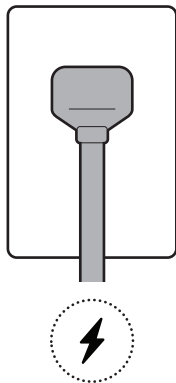
2.

Plug the power cable into your camera.



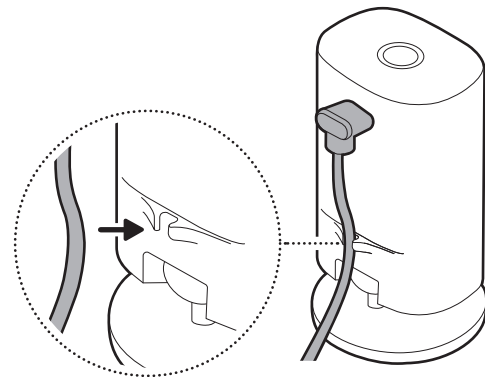
3.

Connect the power cable to the power adapter and plug it into an outlet.

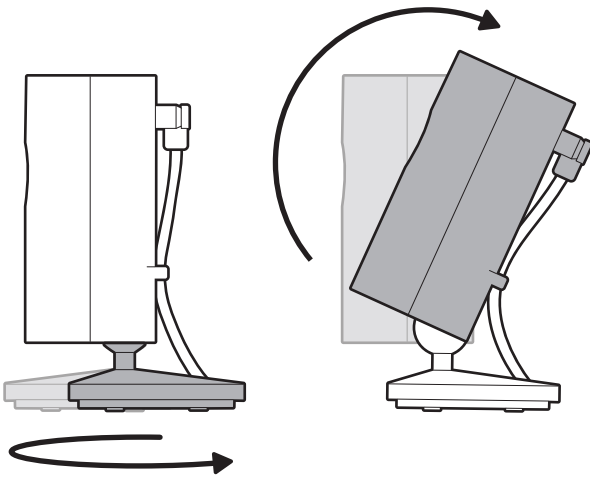


4.

Secure the power cable with the base clip.



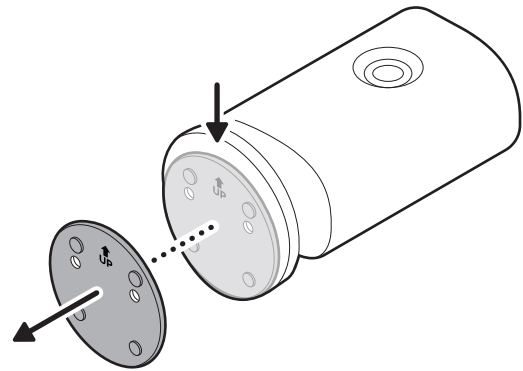
**NOTE:** For an upward angle, swivel the base toward the back and tilt your camera up accordingly.



## Wall installation

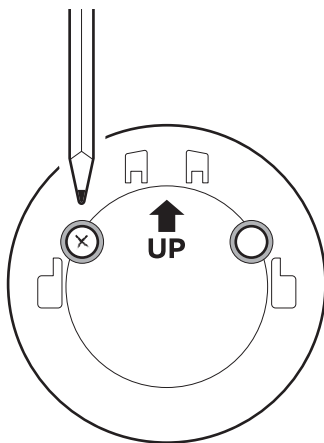
1.

Slide the mounting plate in the direction opposite to the UP arrow to remove.



2.

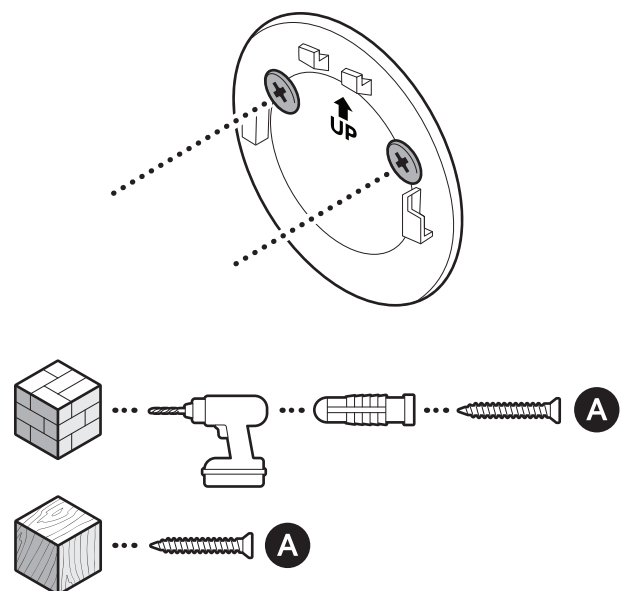
Use the mounting plate as a guide to mark screw holes on the wall.



3.

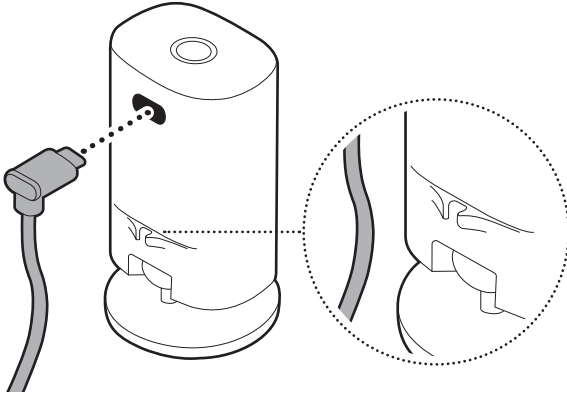
Install the mounting plate with the UP arrow pointing up.

On stucco, brick, or concrete, use a 3/16 in (5 mm) masonry bit to drill holes for the included wall anchors.



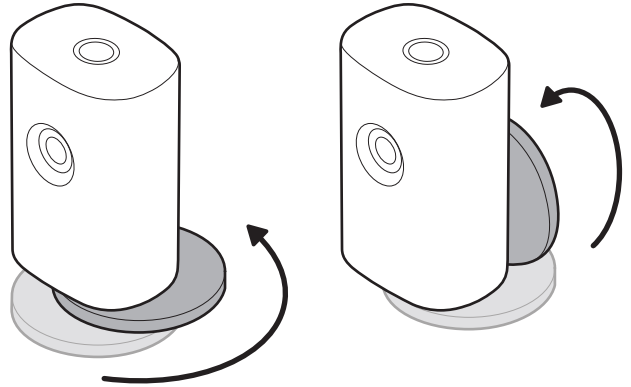
4.

Plug the power cable into your camera.



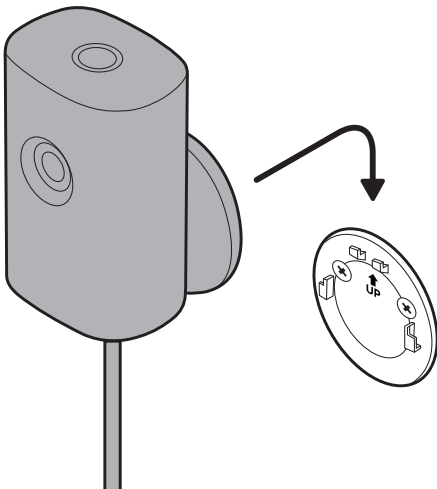
5.

Swivel your camera's mount toward the back.



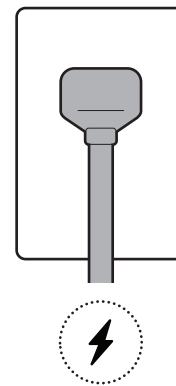
6.

Secure your camera to the mounting plate by sliding until you feel a click.



7.

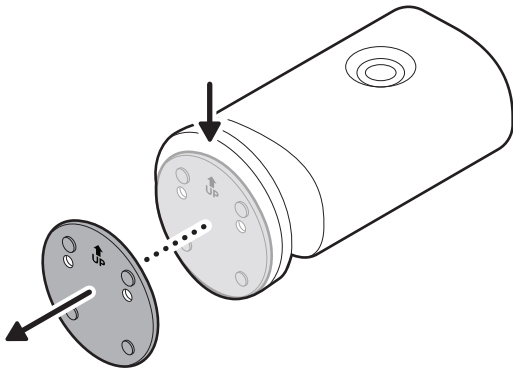
Connect the power cable to the power adapter and plug it into an outlet.



## Ceiling installation

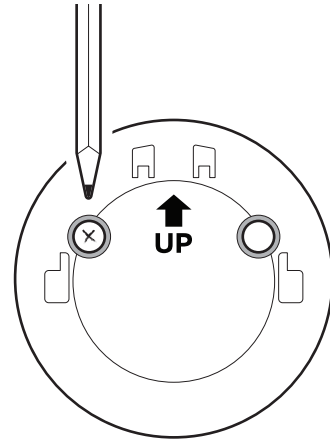
1.

Slide the mounting plate in the direction opposite to the UP arrow to remove.



2.

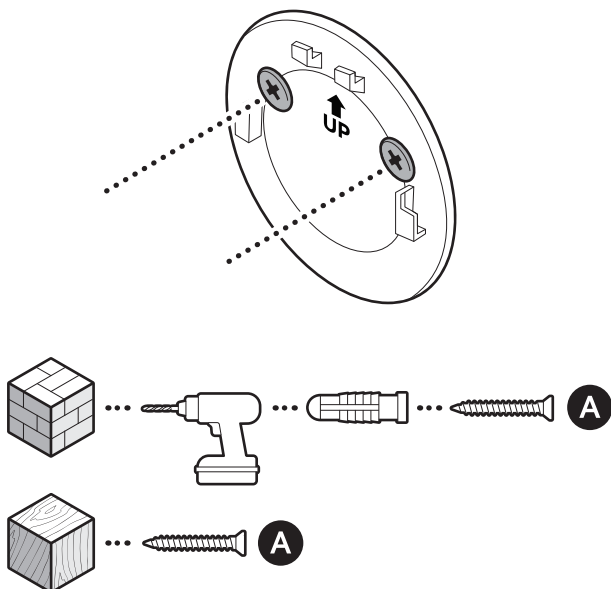
Use the mounting plate as a guide to mark screw holes on the ceiling.



3.

Install the mounting plate with the UP arrow pointing toward your desired viewing direction.

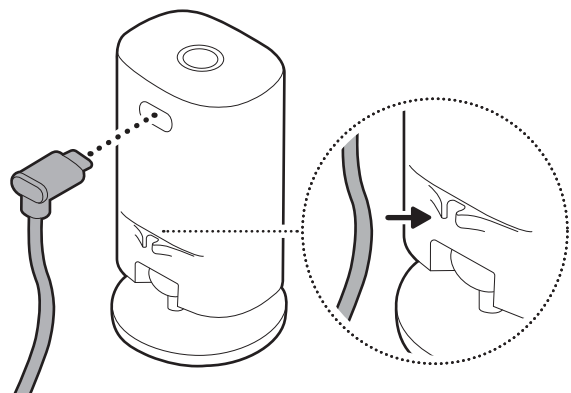
On stucco, brick, or concrete, use a 3/16 in (5 mm) masonry bit to drill holes for the included wall anchors.



4.

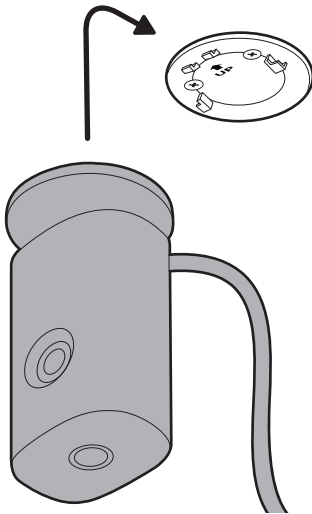
Plug the power cable into your camera.

**NOTE:** For best results, use the base clip on your camera to secure your cable.



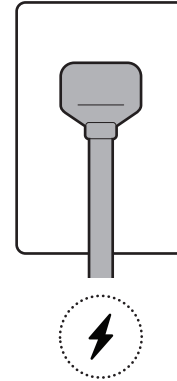
5.

Secure your camera to the mounting plate by sliding until you feel a click.



6.

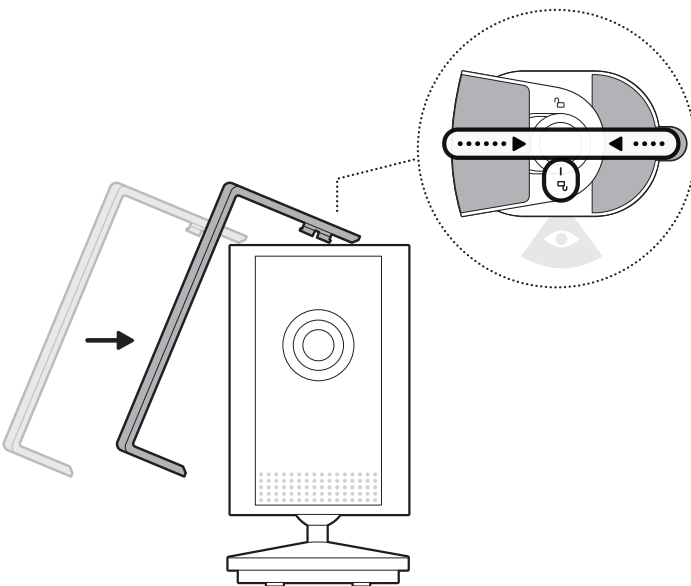
Connect the power cable to the power adapter and plug it into an outlet.



## Attaching the lens cover

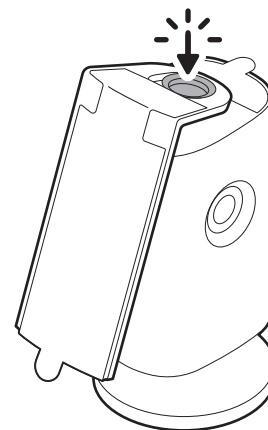
1.

Align the dotted line on your lens cover with the dotted line on top of your camera.



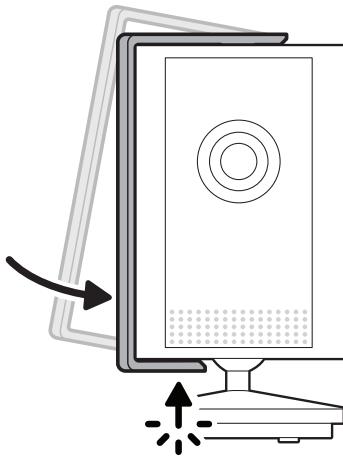
2.

Push the cover onto your camera until you hear a click.



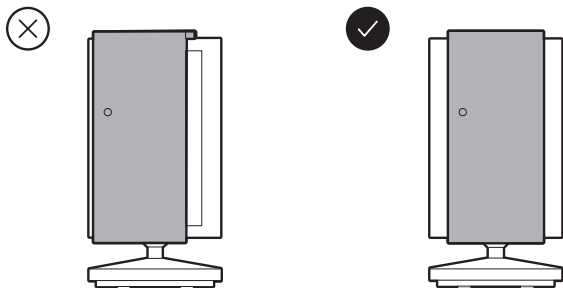
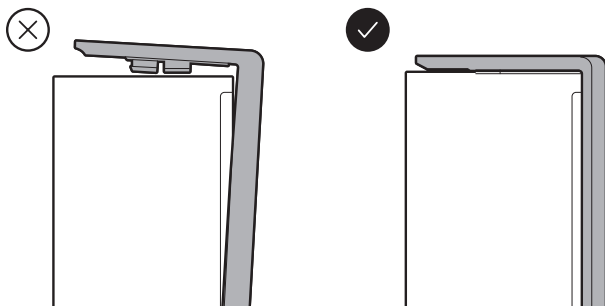
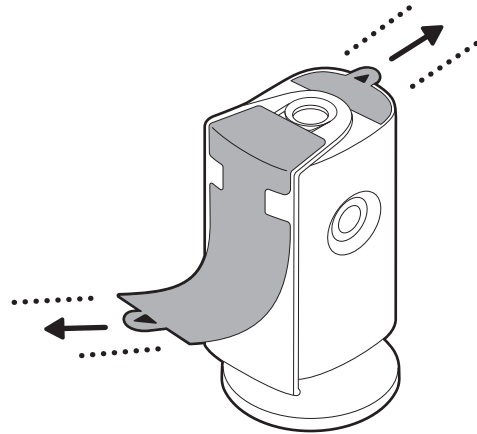
3.

Push the peg at the bottom of your cover into the notch at the bottom of your camera.



4.

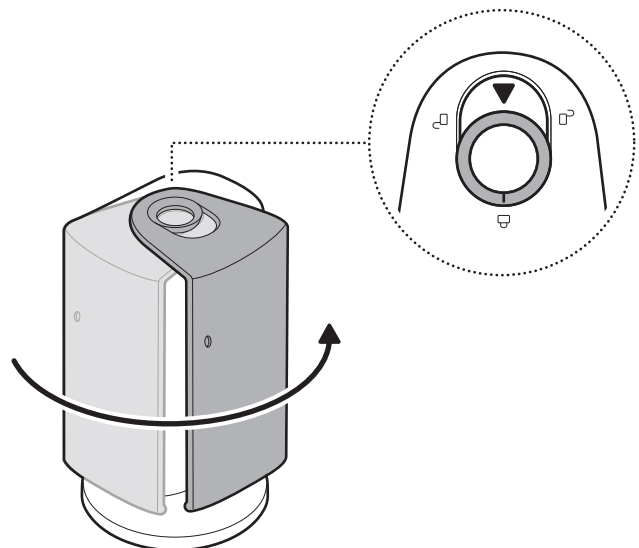
Pull the tabs to remove.



## Using the lens cover

1.

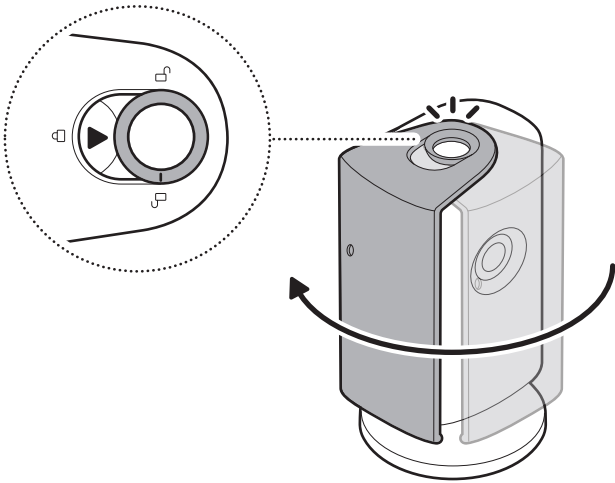
To cover your camera, slide the lens cover to the locked position until you hear a click.





2.

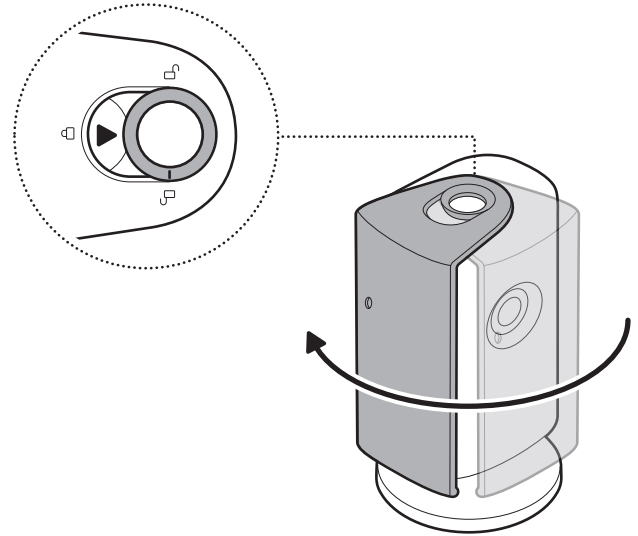
To uncover your camera, slide the lens cover to the unlocked position until you hear a click.



## Removing the lens cover

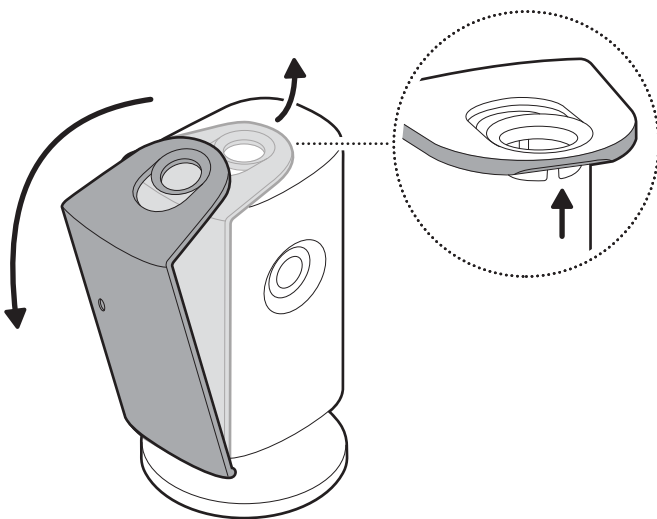
1.

Slide to unlock the lens cover.



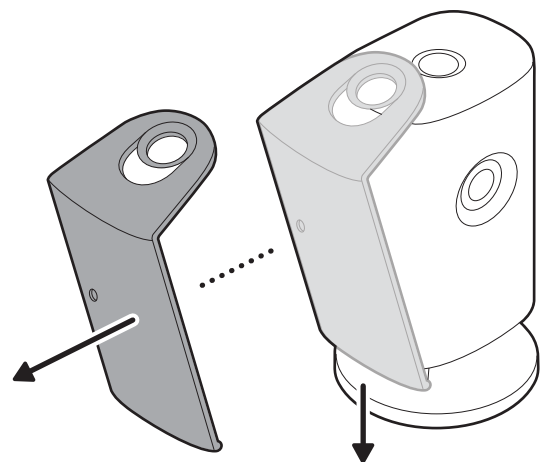
2.

Lift from the top to detach.



3.

Push down and detach from the bottom.



 [ring.com/contact](https://ring.com/contact)

 [ring.com/help](https://ring.com/help)

Ring LLC 12515 Cerise Ave, Hawthorne, CA, 90250 USA

Ring LLC / Amazon EU S.à.r.l., 38 Avenue John F. Kennedy, L-1855  
Luxembourg / Amazon UK, 1 Principal Place, Worship Street,  
London, EC2A 2FA, United Kingdom

アマゾンジャパン合同会社〒153-0064 東京都目黒区下目黒1-8-1

شركة Ring LLC طريق سيريس 12515 مدينة هاونتون، كاليفورنيا.  
90250، الولايات المتحدة الأمريكية.

©2025 Ring LLC or its affiliates. Ring and all related  
marks are trademarks of Ring LLC or its affiliates.

©2025 Ring LLC又はその関連会社。Ring及びこれらに関するすべての商標  
は、Ring LLC又はその関連会社の商標です。