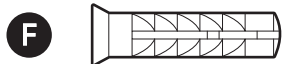
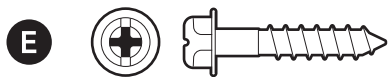
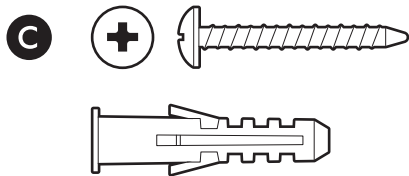
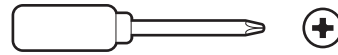


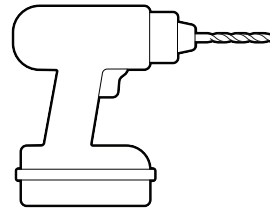
## Hardware included



## Tools needed



Phillips-head screwdriver



Drill with 1/4 in (6 mm) masonry bit (optional)

1.

Remove the protective wrap.



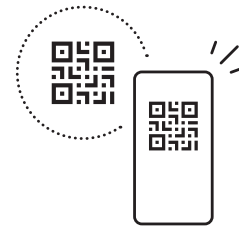
2.

Download the Ring app.



3.

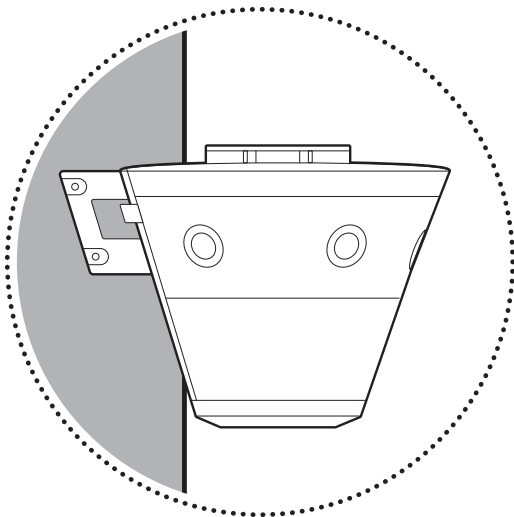
Scan the QR code on your device.



4.

Choose a location near an outlet or active PoE Type 4 injector.

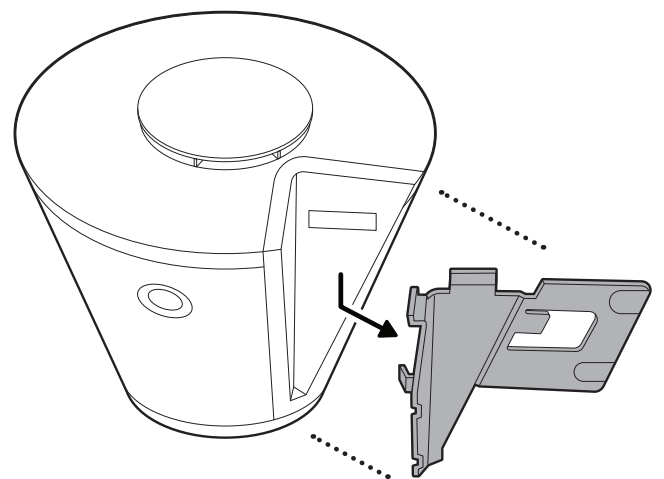
**NOTE:** If connecting to a PoE (Power over Ethernet) power source, ensure your PoE switch or injector is capable of PoE Type 4, active, and connected to a functioning Cat 6 or above Ethernet cable.



## Wall corner installation

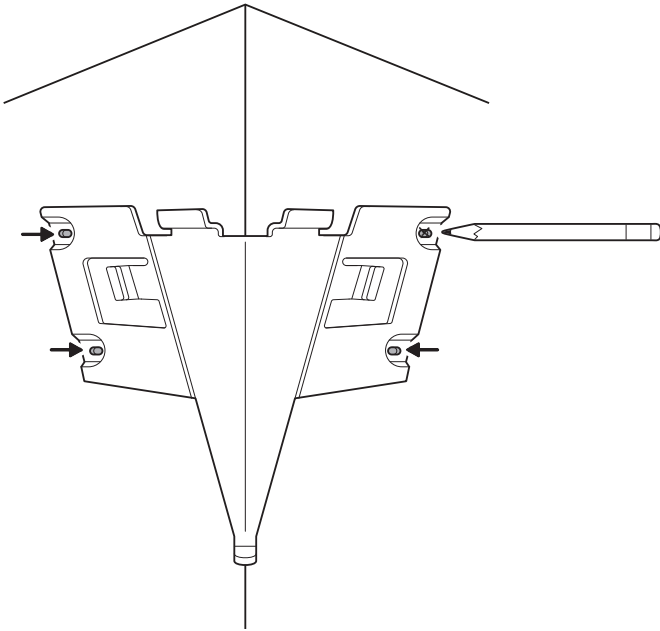
1.

Remove your camera's native mounting plate.



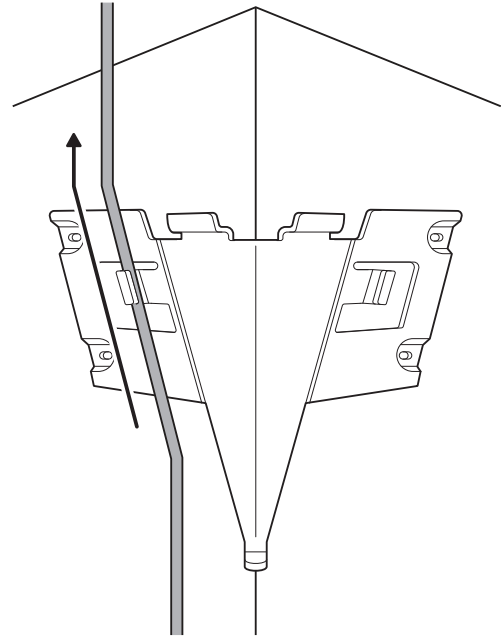
2.

Use the mounting plate as a guide to mark screw holes on the wall with 5.5 in (14 cm) of space in every direction.



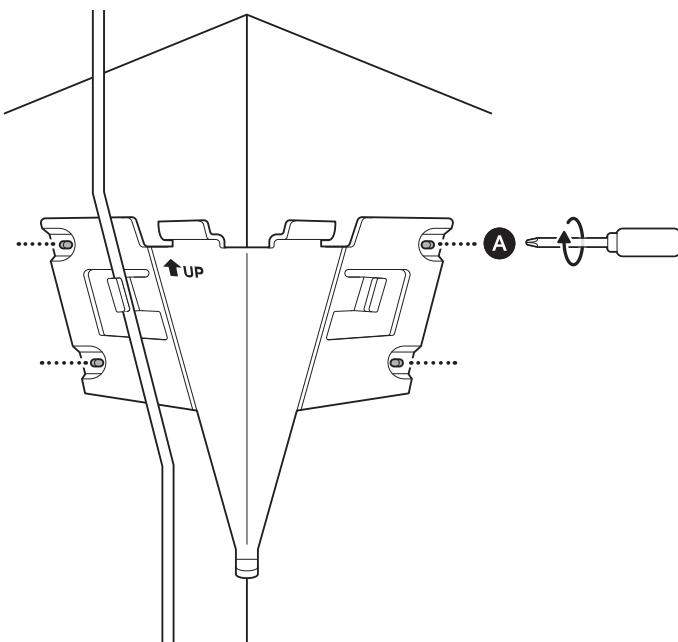
3.

Route the cable along the slot on either side of the mount.

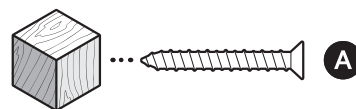
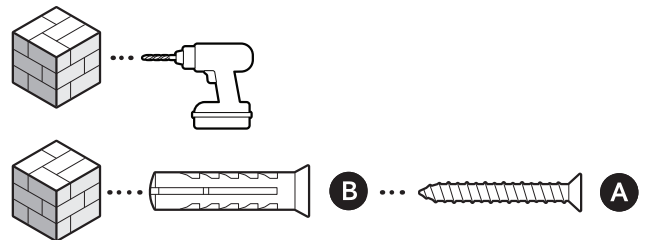


4.

Install the mounting plate with the UP arrow pointing up.



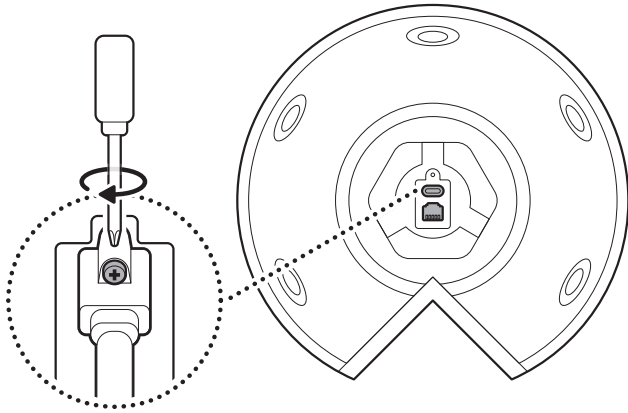
On stucco, brick, or concrete, use a 1/4 in (6 mm) masonry bit to drill holes for the included wall anchors.



5.

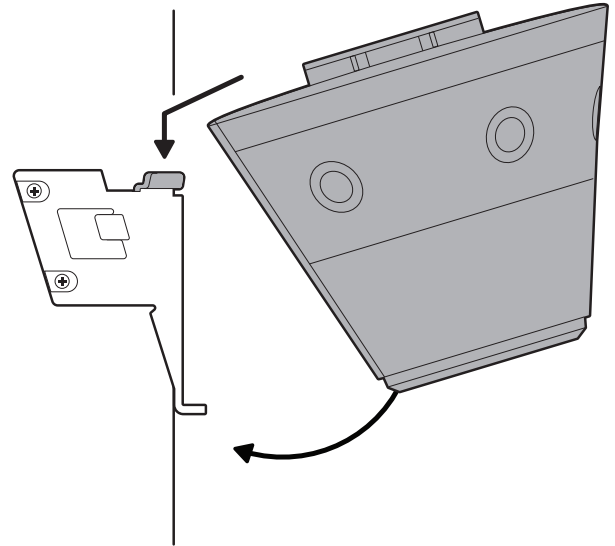
Plug the power or Ethernet cable into your camera.

**NOTE:** If using the USB-C cable, tighten the screw to secure it to your camera.



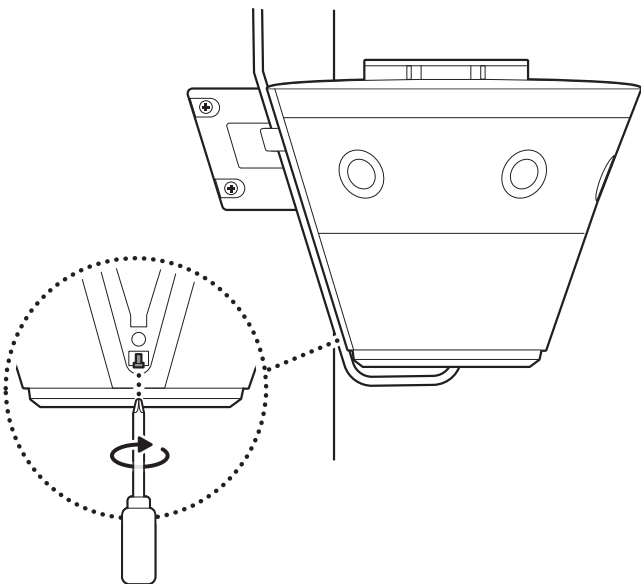
6.

Slot your camera over the corner mounting plate and slide down to secure in place.



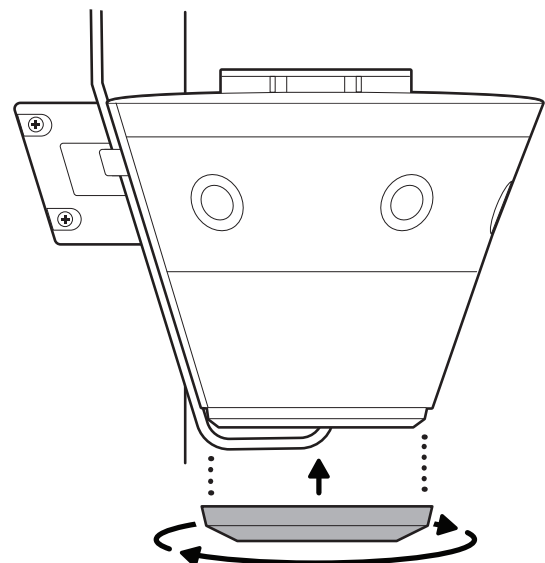
7.

Tighten the security screw.



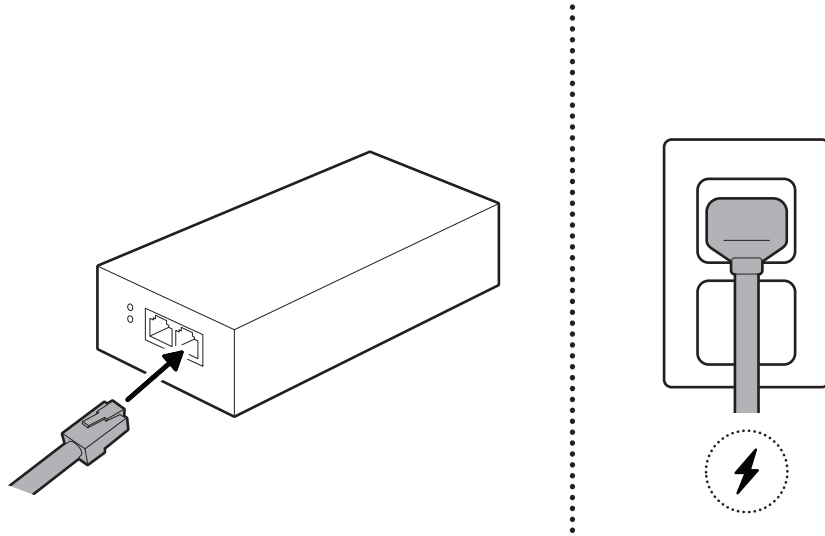
8.

Attach the cable cover to the bottom of your camera by rotating counter-clockwise until you feel a click.



9.

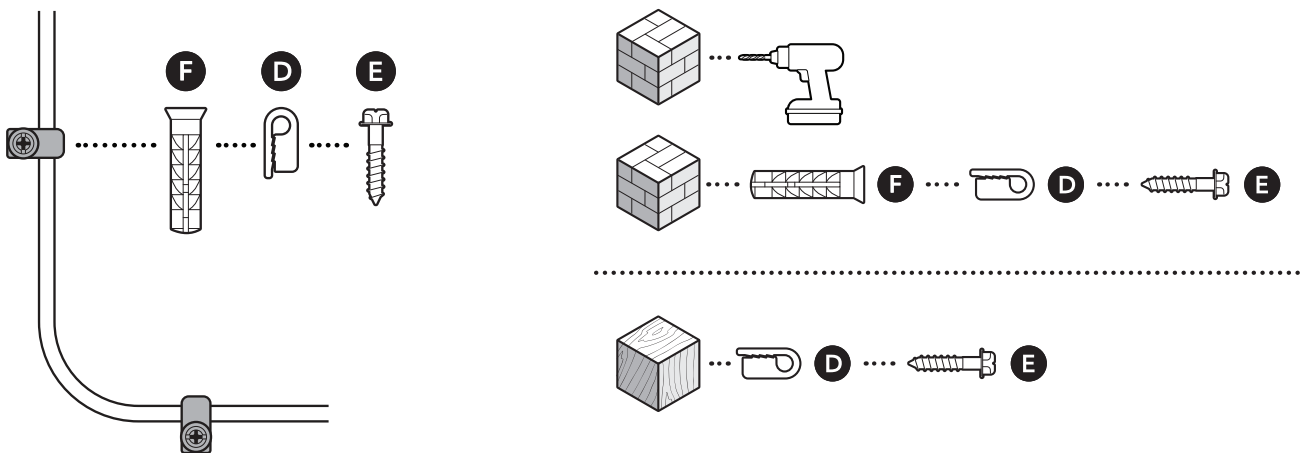
Plug the power adapter or other end of the Ethernet cable into an outlet or PoE Type 4 injector, respectively.



10.

Anchor the power or Ethernet cable to the wall or ceiling with the included cable clips, if necessary.

On stucco, brick, or concrete, use a 1/4 in (6 mm) masonry bit to drill holes for the included wall anchors.

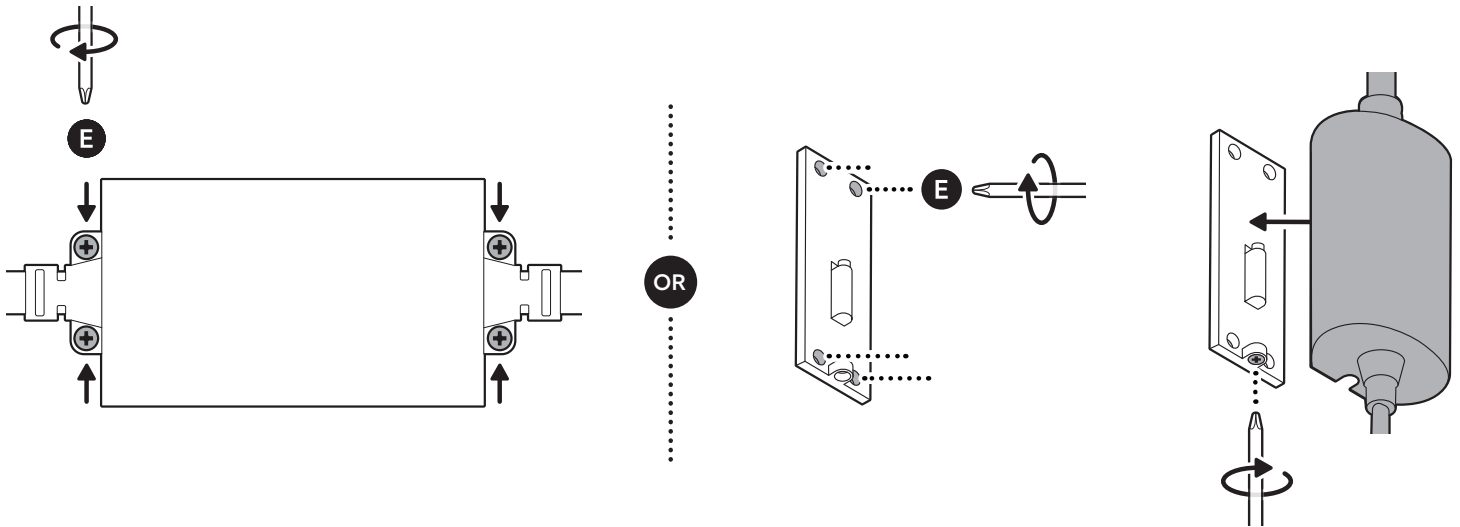


## 11.

If using the power adapter, secure it to the wall with the included anchors and screws.

**NOTE:** If your adapter has a mounting plate, secure the mounting plate first, then attach the adapter to the mounting plate.

On stucco, brick, or concrete, use a 1/4 in (6 mm) masonry bit to drill holes for the included wall anchors.



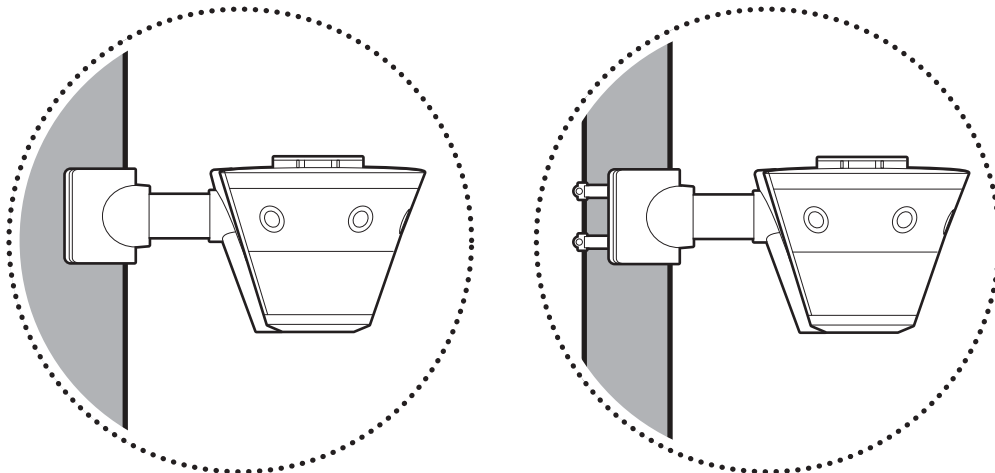
---

## Extended mount installation

## 1.

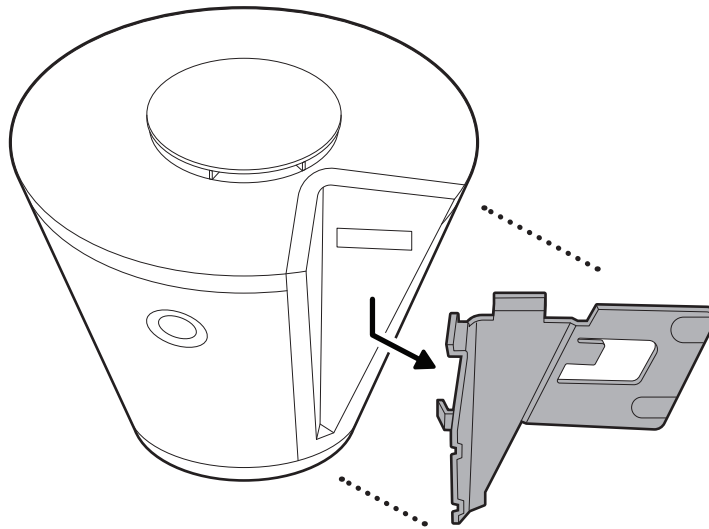
Choose a location.

**NOTE:** Ensure your power or Ethernet cable can reach your camera.



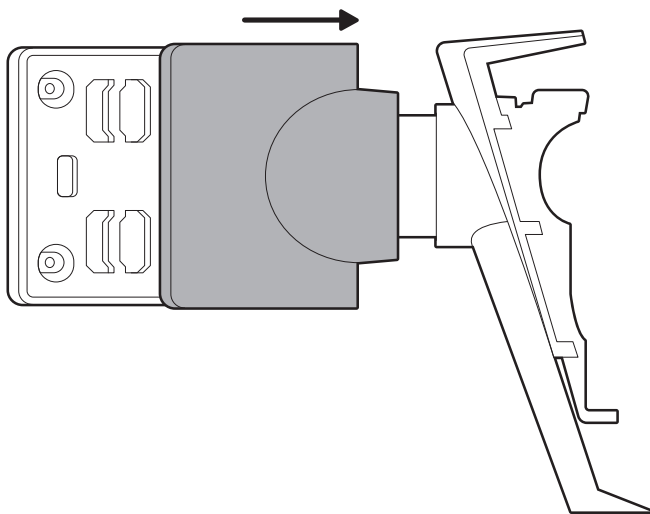
2.

Remove your camera's standard mounting plate.



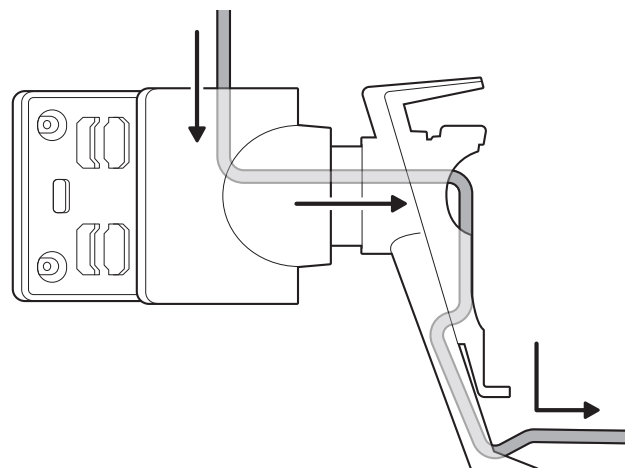
3.

Slide the mounting bracket's plastic cover backward to detach.



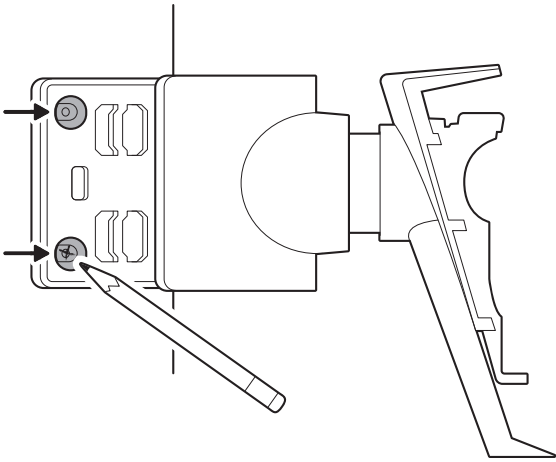
4.

Route the power or Ethernet cable through the mount tube.



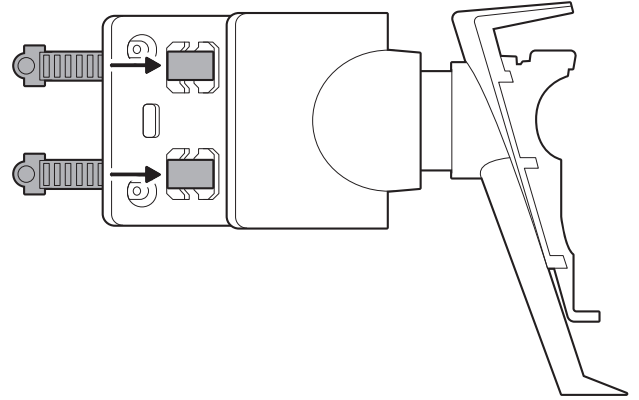
5a.

If mounting on a wall corner, use the mounting bracket to mark screw holes on the wall.



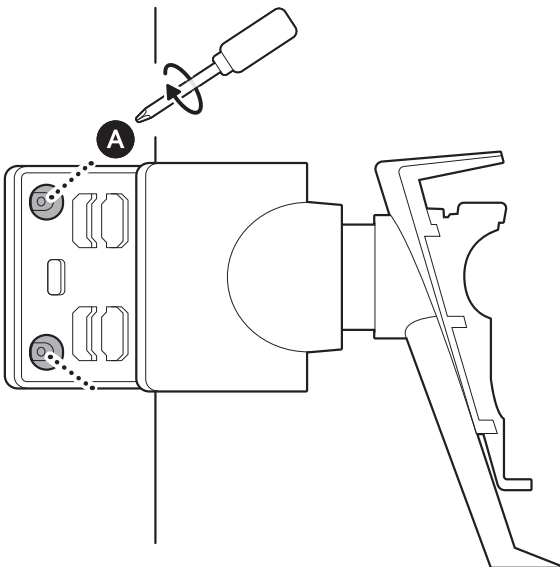
5b.

If mounting on a pole or tree, loop the metal straps through the slots on the mounting bracket.

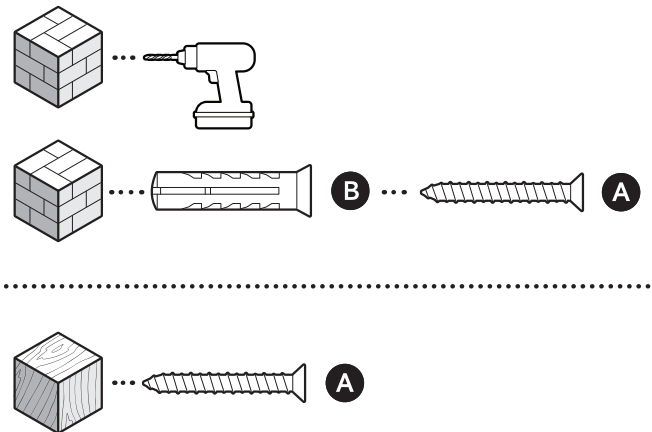


6a.

Install the mounting bracket with the included screws.

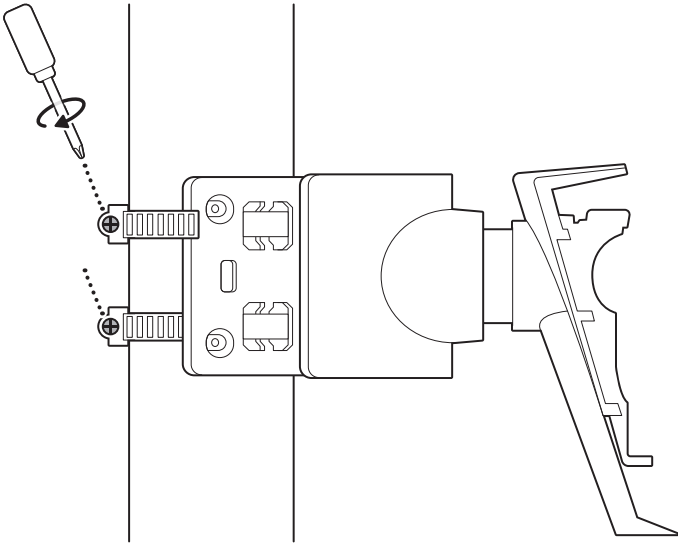


On stucco, brick, or concrete, use a 1/4 in (6 mm) masonry bit to drill holes for the included wall anchors.



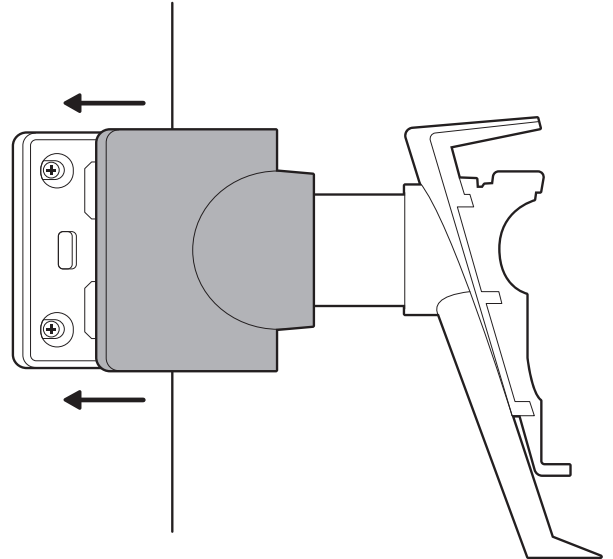
6b.

Close the metal strap around the mounting surface, then tighten the fastener head until secure.



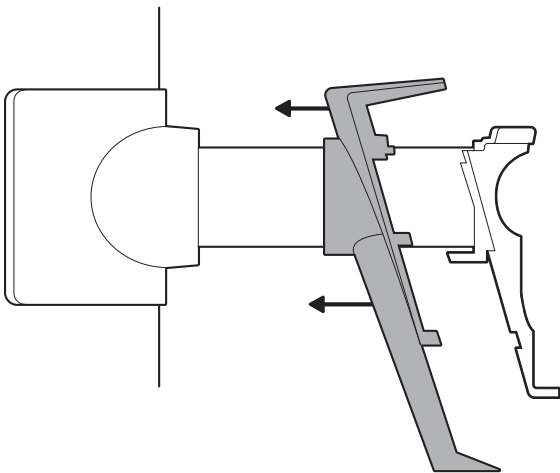
7.

Reattach the mounting bracket's plastic cover by sliding until you feel a click.



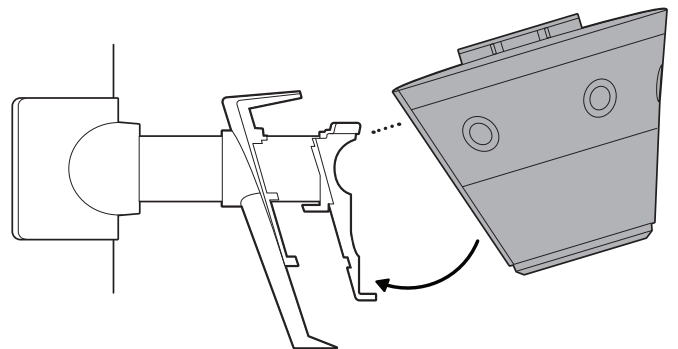
8.

Slide the camera mount's plastic cover backward to detach.



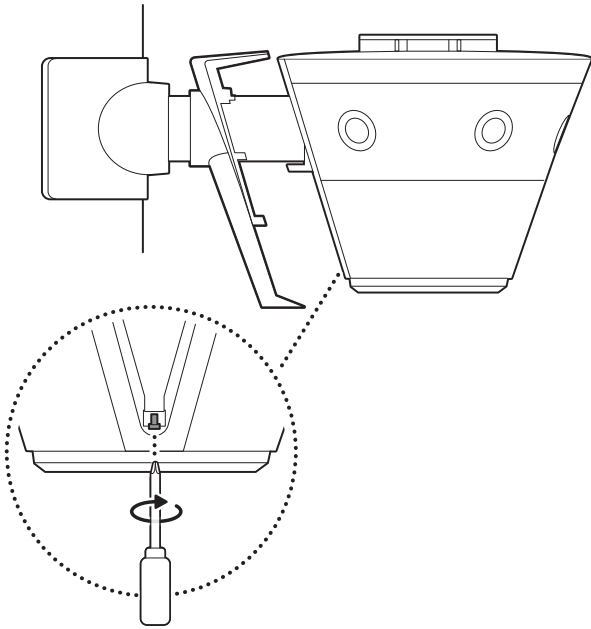
9.

Attach your camera to the mount by sliding until you feel a click.



10.

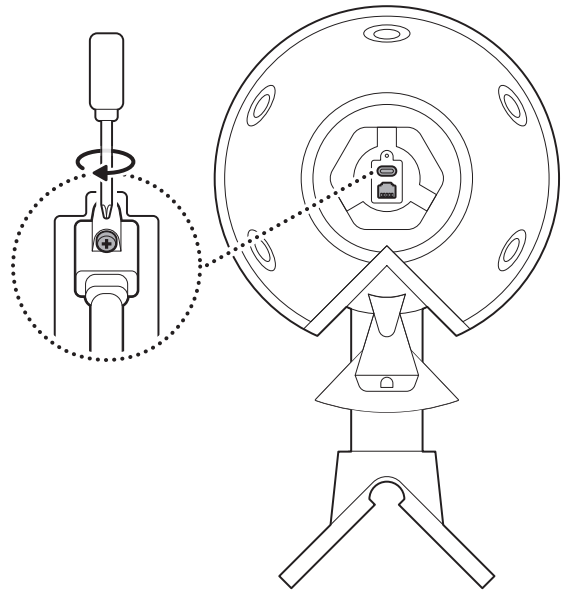
Tighten the screw to secure.



11.

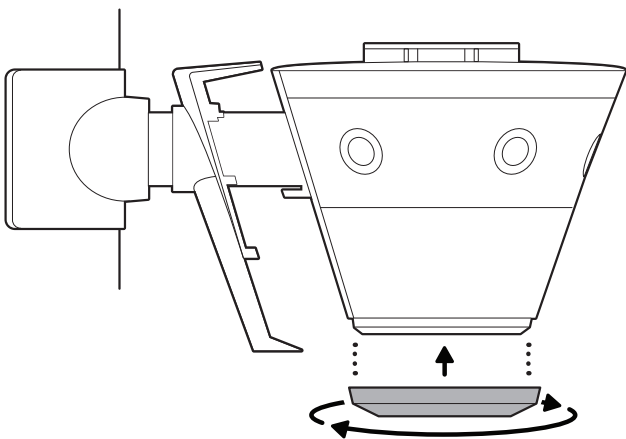
Plug the power or Ethernet cable into your camera.

**NOTE:** If using the USB-C cable, tighten the screw to secure it to your camera.



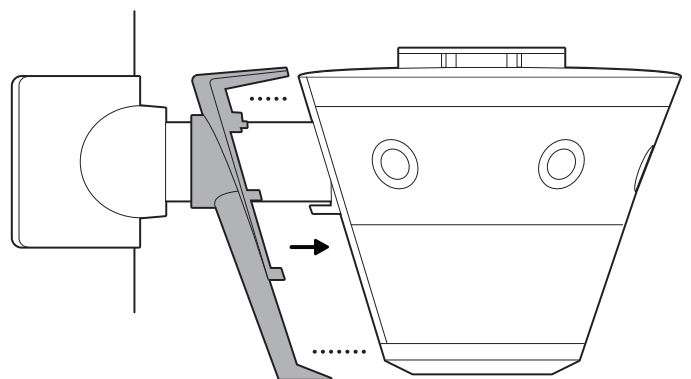
12.

Attach the cable cover to the bottom of your camera by rotating counter-clockwise until you feel a click.



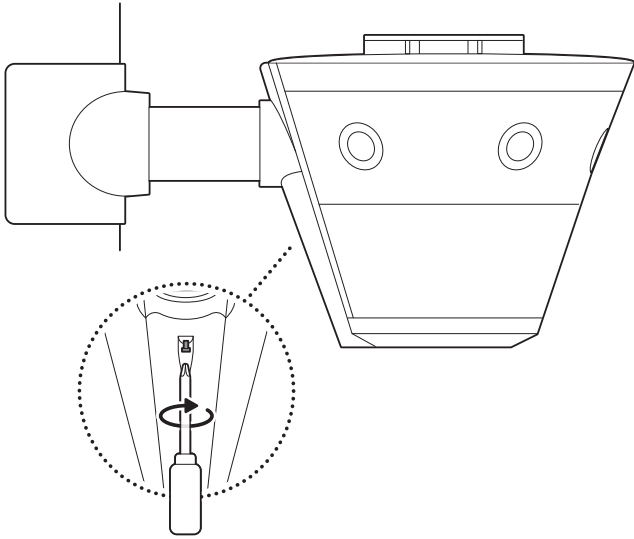
13.

Push the front of the mount back into place.



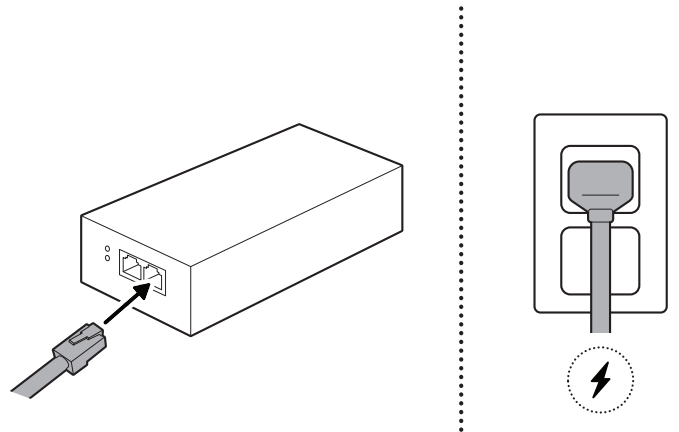
14.

Tighten the screw to secure.



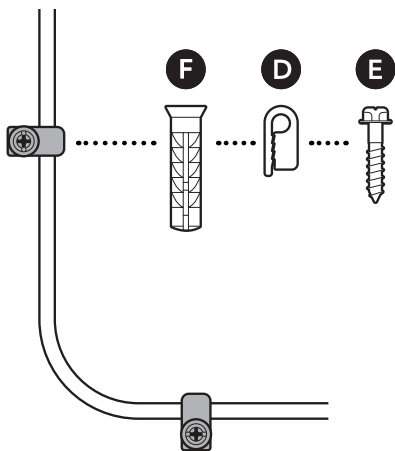
15.

Plug the power adapter or other end of the Ethernet cable into an outlet or PoE Type 4 injector, respectively.

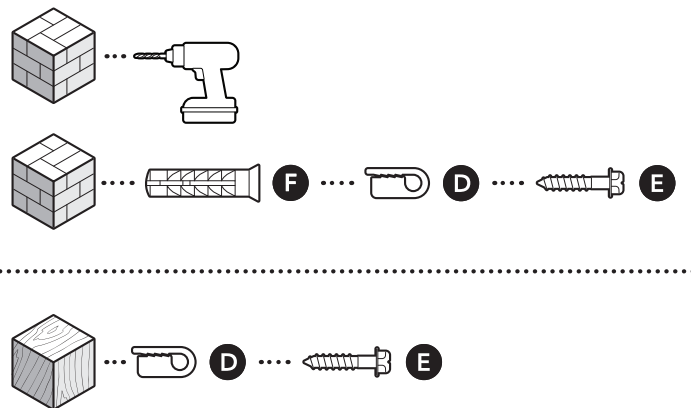


16.

Anchor the power or Ethernet cable to a stable surface with the included cable clips.



On stucco, brick, or concrete, use a 1/4 in (6 mm) masonry bit to drill holes for the included wall anchors.

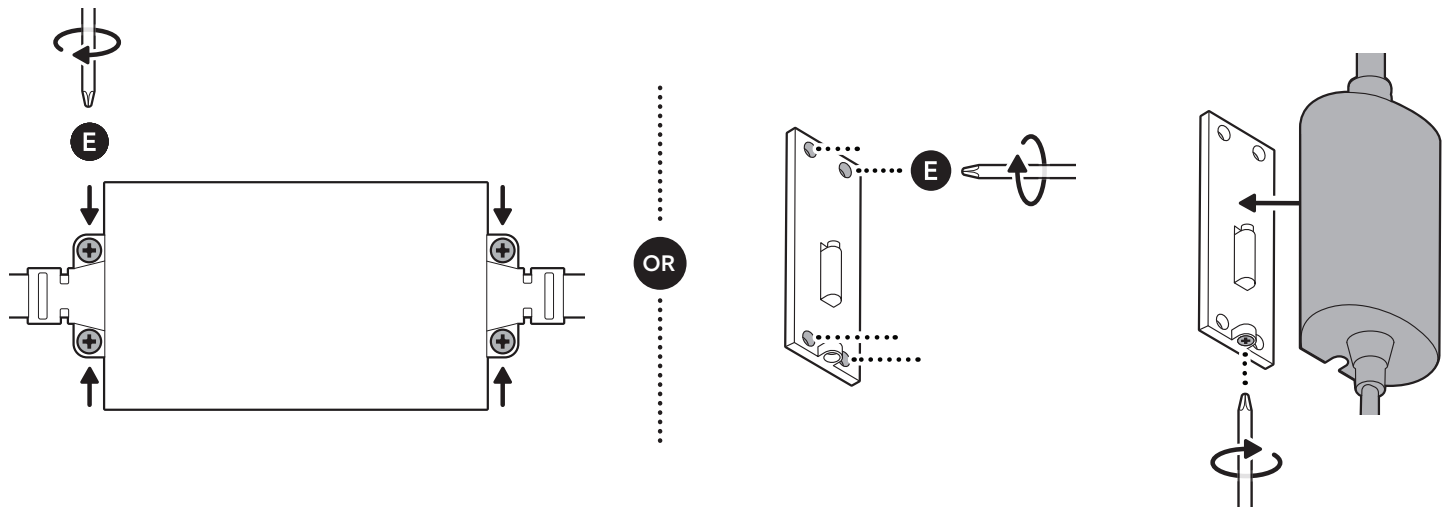


17.

If using the power adapter, secure it to the wall with the included anchors and screws.

**NOTE:** If your adapter has a mounting plate, secure the mounting plate first, then attach the adapter to the mounting plate.

On stucco, brick, or concrete, use a 1/4 in (6 mm) masonry bit to drill holes for the included wall anchors.



 [ring.com/contact](https://ring.com/contact)

 [ring.com/help](https://ring.com/help)