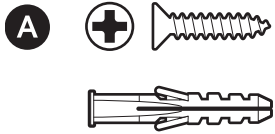


Hardware included



Tools needed



1.

Remove the protective film.



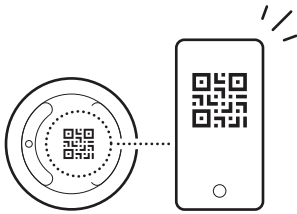
2.

Download the Ring app.



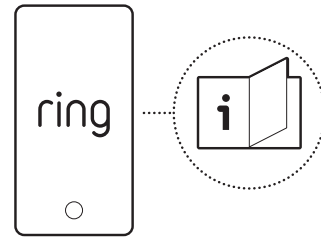
3.

Scan the QR code on your device.



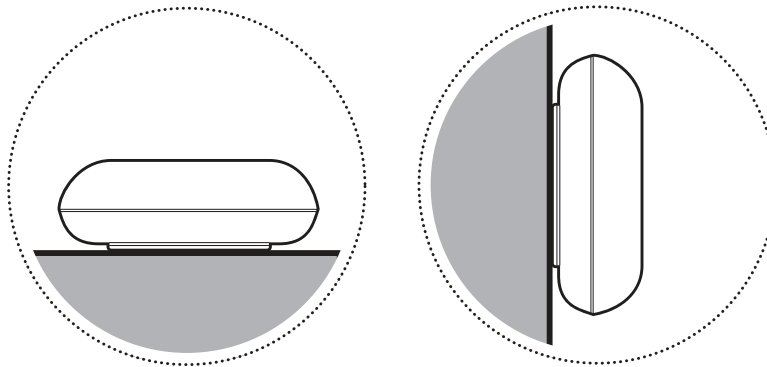
4.

Follow in-app setup.



## Installation

Place your smart button in an easily accessible place.



## Replacing the batteries

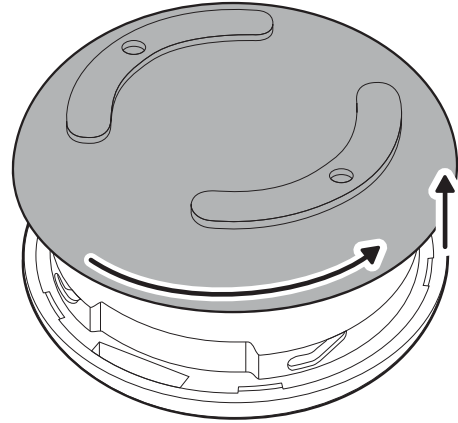


### WARNING!

- **INGESTION HAZARD:** This product contains a button cell or coin battery.
- **DEATH** or serious injury can occur if ingested.
- A swallowed button cell or coin battery can cause Internal Chemical Burns in as little as 2 hours.
- **KEEP** new and used batteries **OUT OF REACH** of CHILDREN.
- Seek immediate medical attention if a battery is suspected to be swallowed or inserted inside any part of the body.

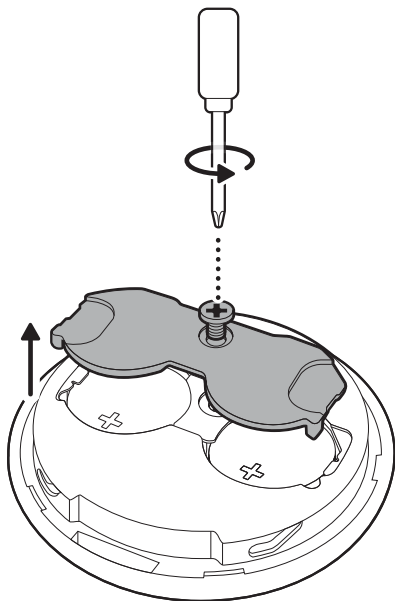
1.

Twist to remove the back cover.



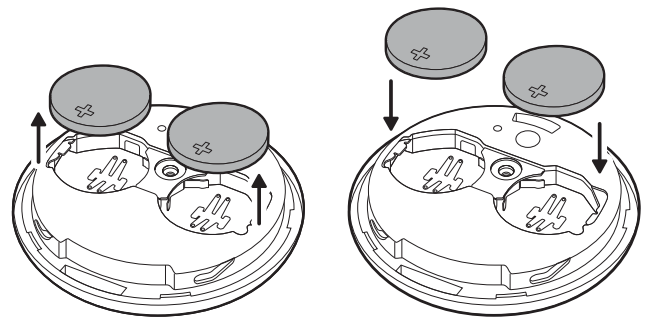
2.

Use a Phillips-head screwdriver to remove the battery security plate.



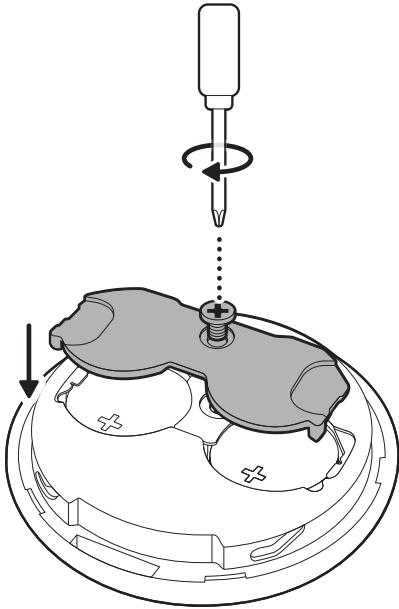
3.

Carefully remove the coin cell batteries and replace.



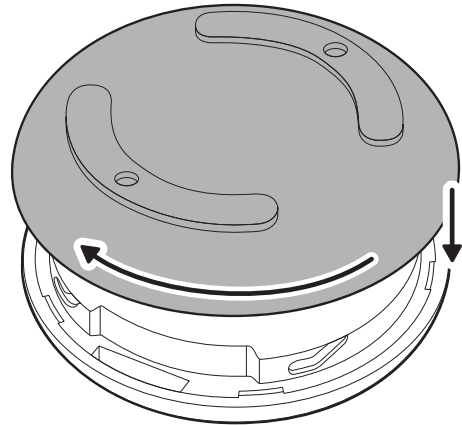
4.

Reattach the battery security plate.



5.

Twist to reattach the cover.



Amazon Sidewalk-enabled device; requires Amazon Sidewalk coverage for use. Coverage may vary by location.

For Amazon Sidewalk information, visit [ring.com/sidewalk](https://ring.com/sidewalk)



[ring.com/contact](https://ring.com/contact)



[ring.com/help](https://ring.com/help)