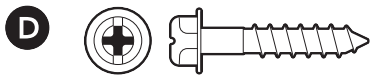
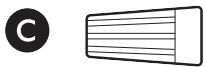
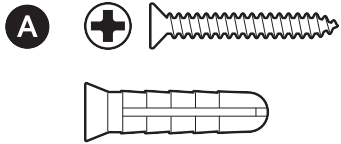


Hardware included

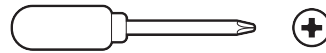


Tools included

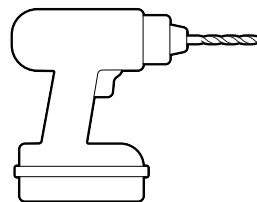


Removal tool

Tools needed



Phillips-head screwdriver



Drill with a 1/4 in (6 mm) masonry bit (optional)

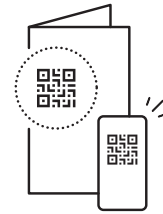
1.

Download the Ring app.



2.

Scan the QR code.



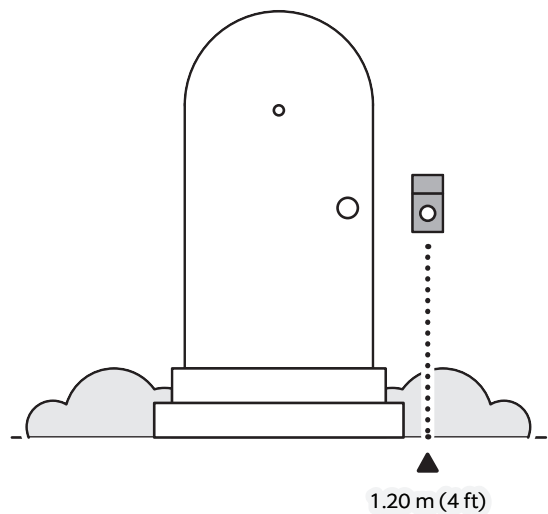
3.

Remove the protective wrap.



4.

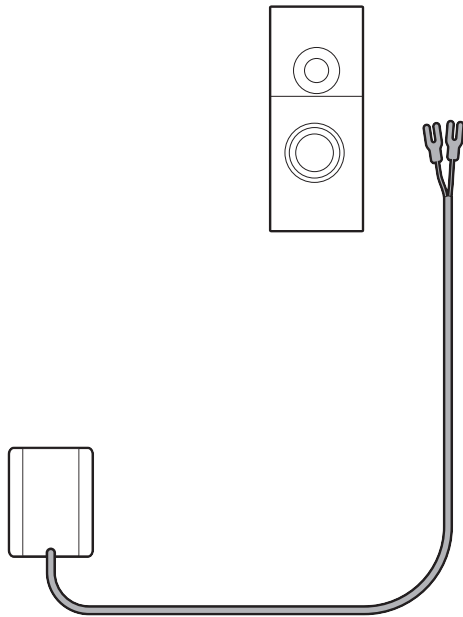
Choose a location for your doorbell.



## Doorbell installation

### 1.

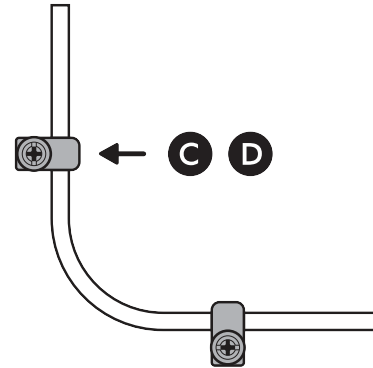
Without plugging in the power adapter, run the power cable from the outlet to where you're installing your doorbell.



### 2.

Secure the power cable with the included cable clips.

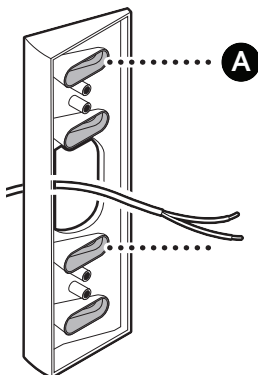
**NOTE:** If running the cable through a wall, door, or window, exercise caution for electrical wiring and pipes when drilling.



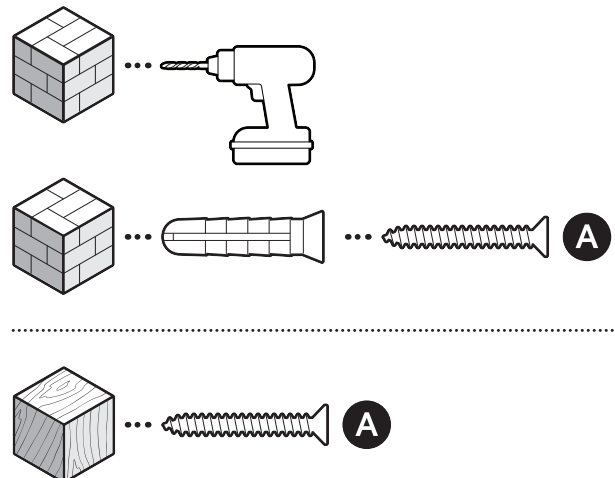
### 3.

(Optional) If using a corner mount, install the mount over your doorbell wires using the large oval holes, ensuring it is facing in your desired viewing direction.

**NOTE:** Multiple corner mounts can be stacked together. We do not recommend more than two.

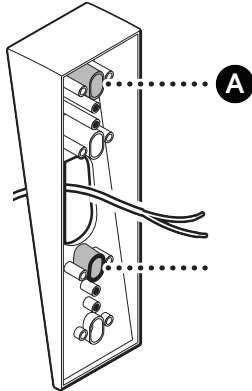


On stucco, brick, or concrete, use a 6 mm (1/4 in) masonry bit to drill holes for the included wall anchors.

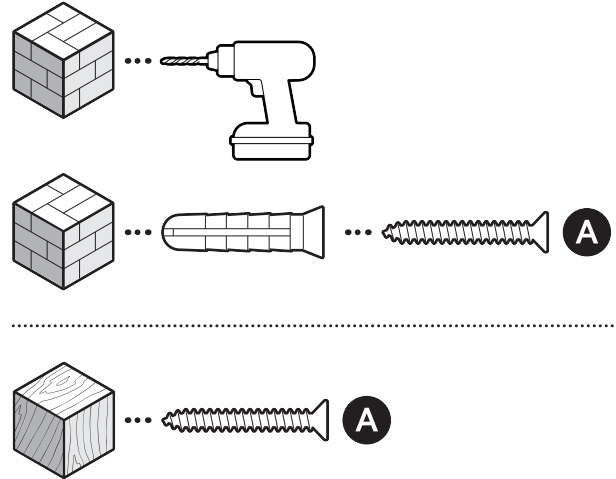


(Optional) If using a wedge mount, install the mount over your doorbell wires using the screws included with your wedge kit, ensuring it is facing down.

**NOTE:** Multiple wedge mounts can be stacked together. We do not recommend more than two.

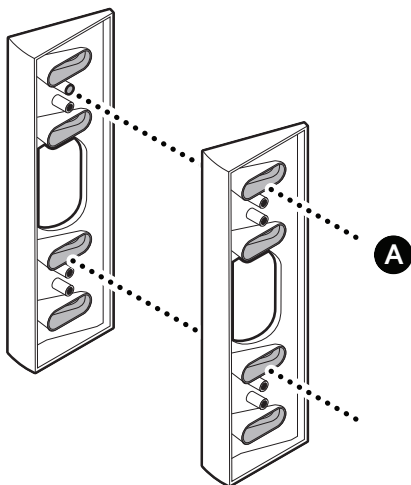


On stucco, brick, or concrete, use a 6 mm (1/4 in) masonry bit to drill holes for the included wall anchors.



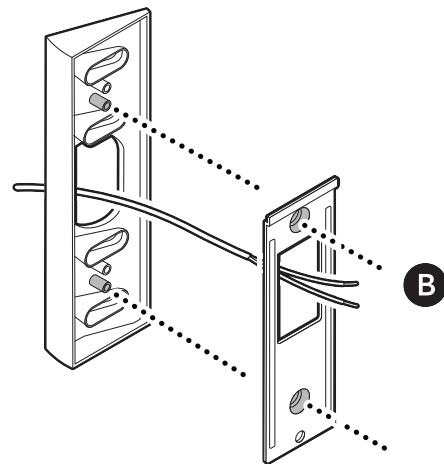
#### 4.

(Optional) If installing multiple wedge or corner mounts, insert screws through both mounts to hold them together.



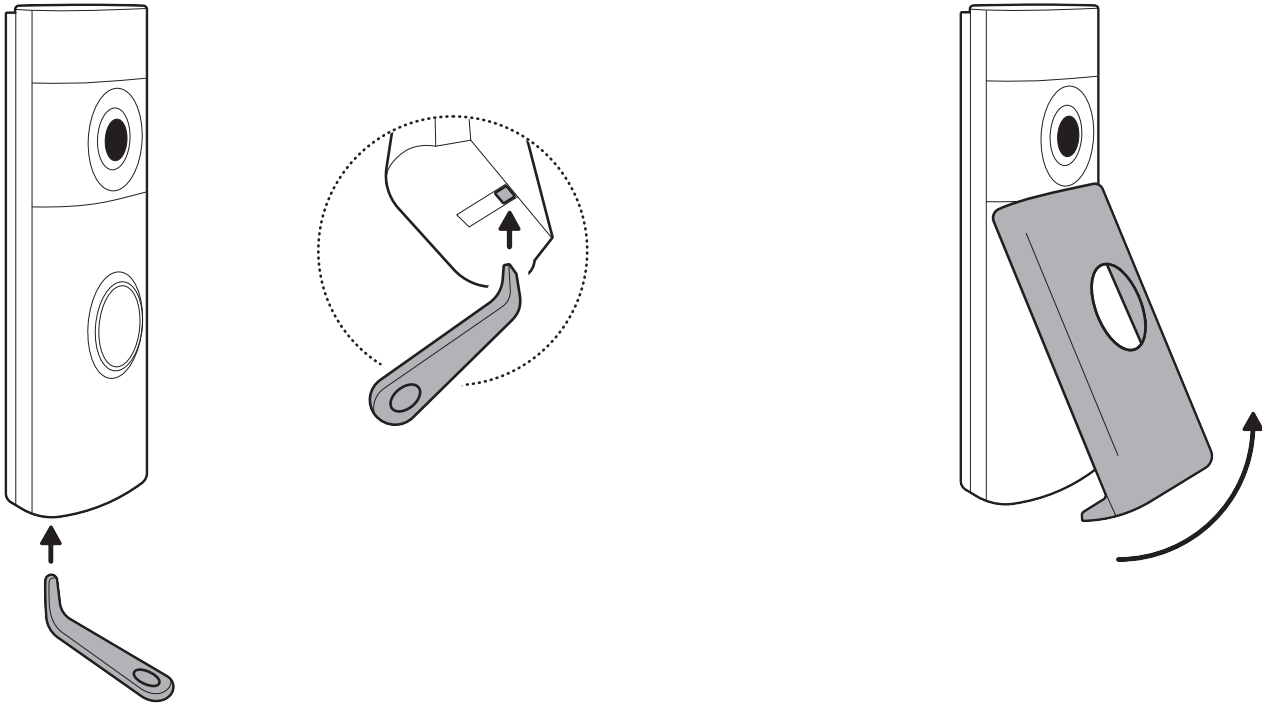
#### 5.

Install the mounting bracket on your mount or directly over the doorbell wiring with the included screws.



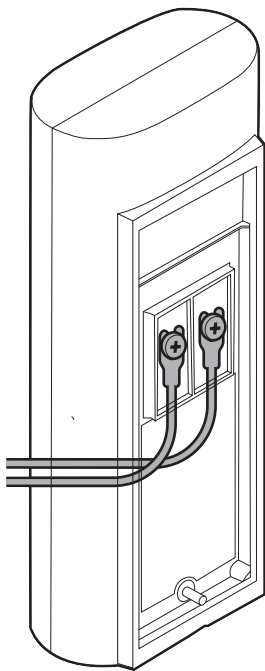
6.

Remove your doorbell's faceplate by inserting the removal tool into the slot at the bottom of your doorbell.



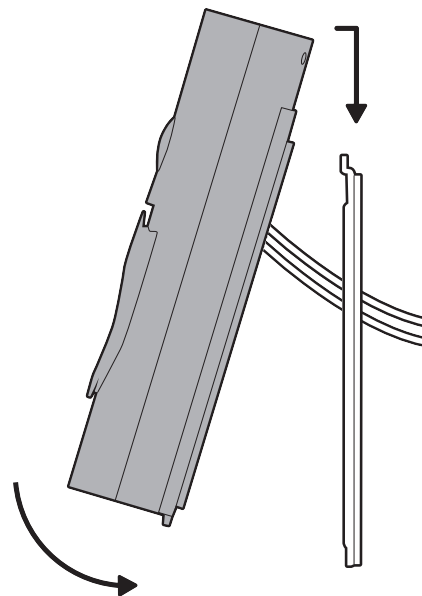
7.

Connect the power cable to your doorbell's wire terminals.



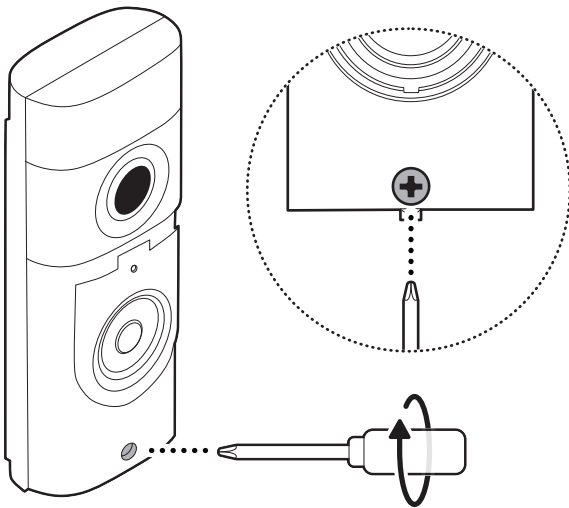
8.

Mount your doorbell by hooking it over the bracket and pushing down.



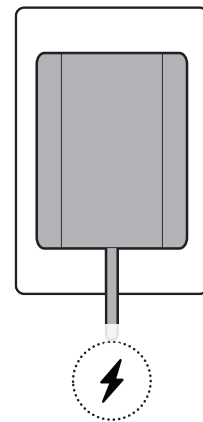
9.

Tighten the security screw.



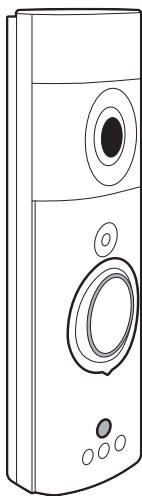
10.

Plug in the power adapter.



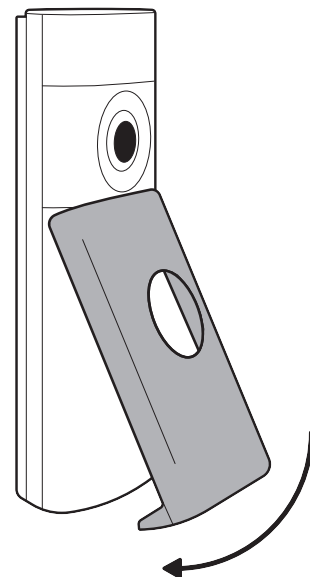
11.

Ring your doorbell to ensure everything is properly connected.



12.

Reattach the faceplate.





[ring.com/contact](https://ring.com/contact)



[ring.com/help](https://ring.com/help)