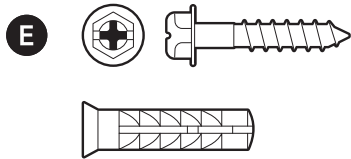
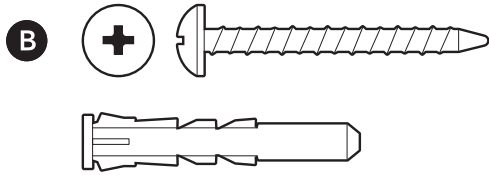
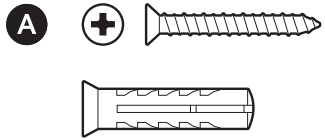
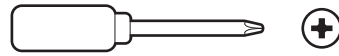


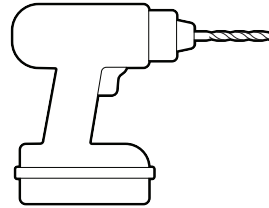
Hardware included



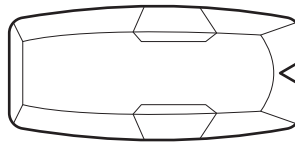
Tools needed



Phillips-head screwdriver



Drill with 1/4 in (6 mm) masonry bit (optional)



Stud finder

Tools included



L-shaped hex key

1.

Remove the protective wrap.



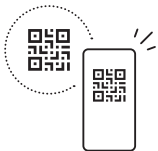
2.

Download the Ring app.



3.

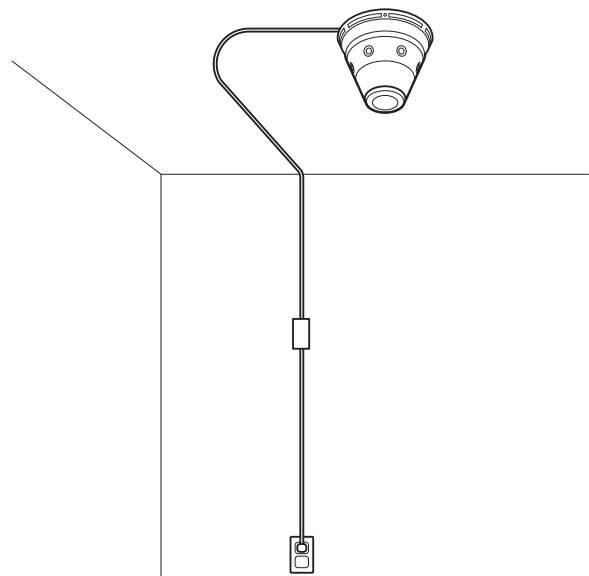
Scan the QR code on your device.



4.

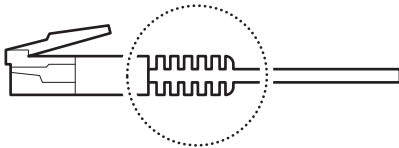
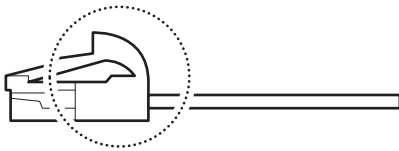
Choose a location near an outlet or active PoE Type 4 injector.

NOTE: If connecting to a PoE (Power over Ethernet) power source, ensure your PoE switch or injector is capable of PoE Type 4, active, and connected to a functioning Cat 6 or above Ethernet cable.



5.

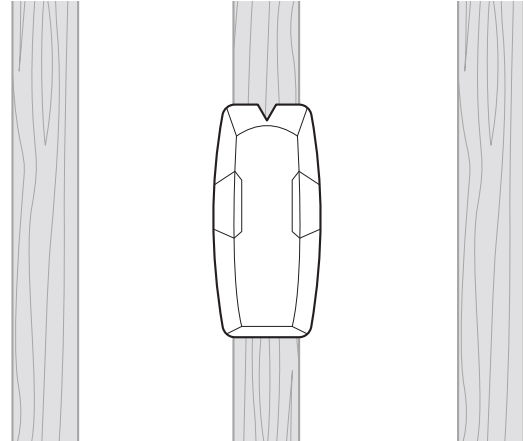
Ensure your Ethernet cable does not have a pusher or strain relief.



Ceiling installation

1.

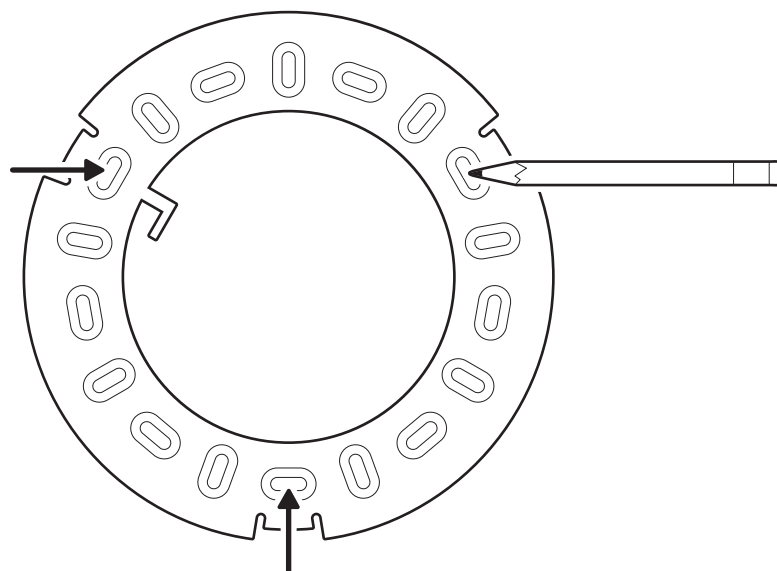
Use a stud finder to locate your ceiling's studs.



2.

Use the mounting plate as a guide to mark screw holes on the ceiling.

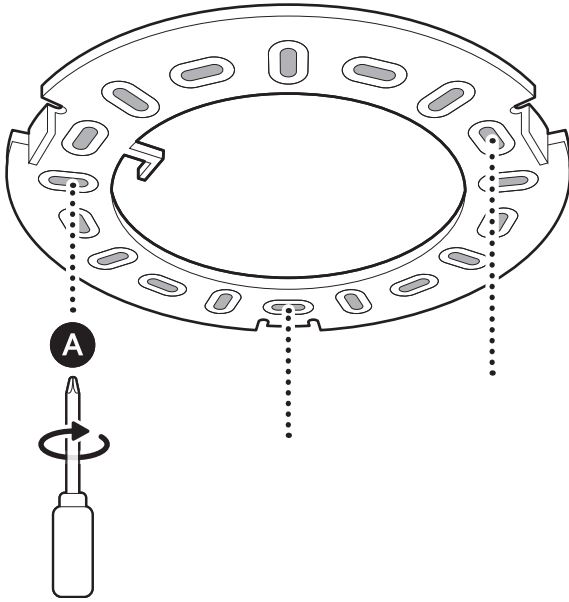
NOTE: The arrow should point toward your desired viewing direction.



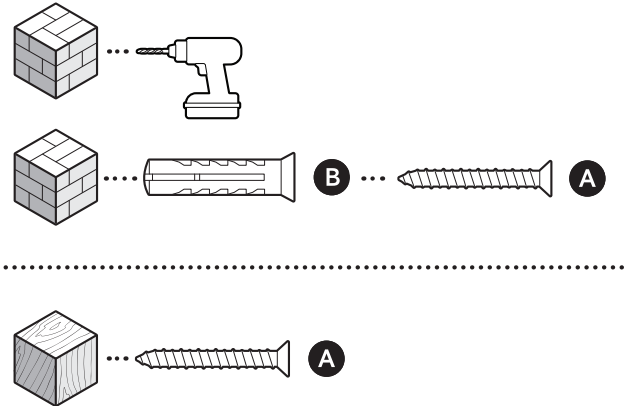
3.

Install the mounting plate.

NOTE: For best results, ensure at least one screw is driven into a stud.

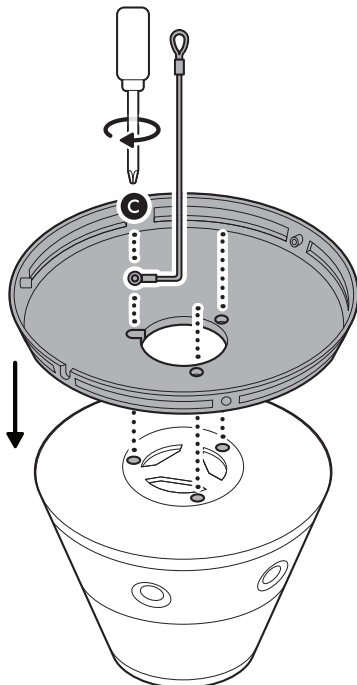


On stucco, brick, or concrete, use a 1/4 in (6 mm) masonry bit to drill holes for the included wall anchors.



4.

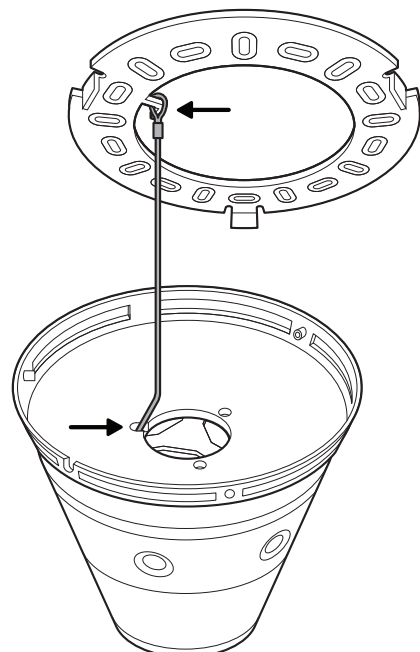
Install the mount cover and included safety strap onto the top of your camera, ensuring the safety strap's metal ring is secured with a mount cover screw.



5.

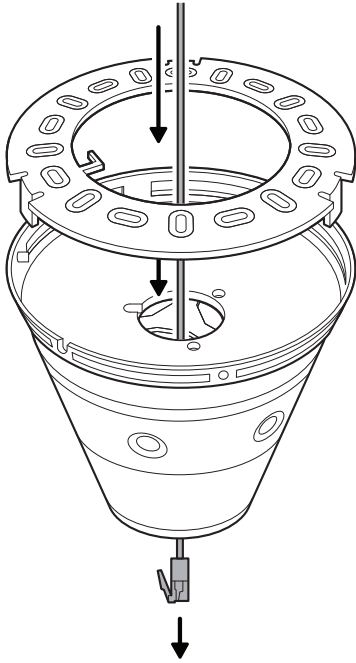
Loop the other end of the safety strap over the hook on the mounting plate.

NOTE: Gently tug the safety strap to ensure it is secure before releasing.



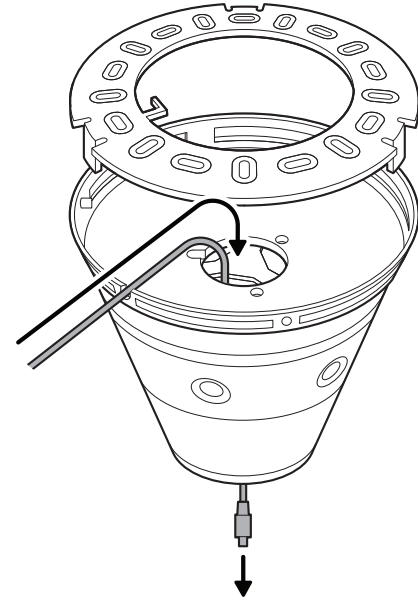
6a.

If using an Ethernet cable, route it to the bottom of your camera through slot A.



6b.

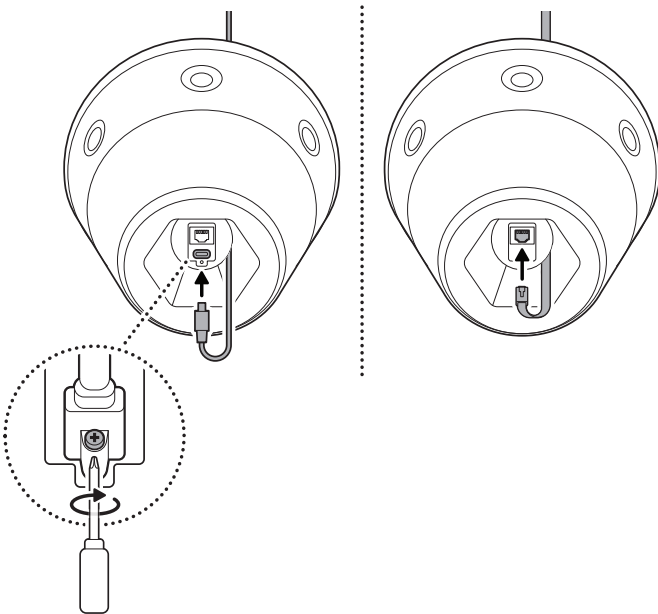
If using the included power cable, route it to the bottom of your camera through slot B.



7.

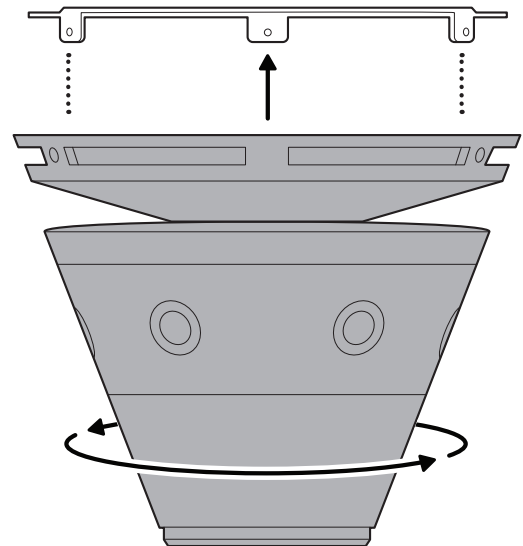
Plug the power or Ethernet cable into your camera.

NOTE: If using the USB-C cable, tighten the screw to secure it to your camera.



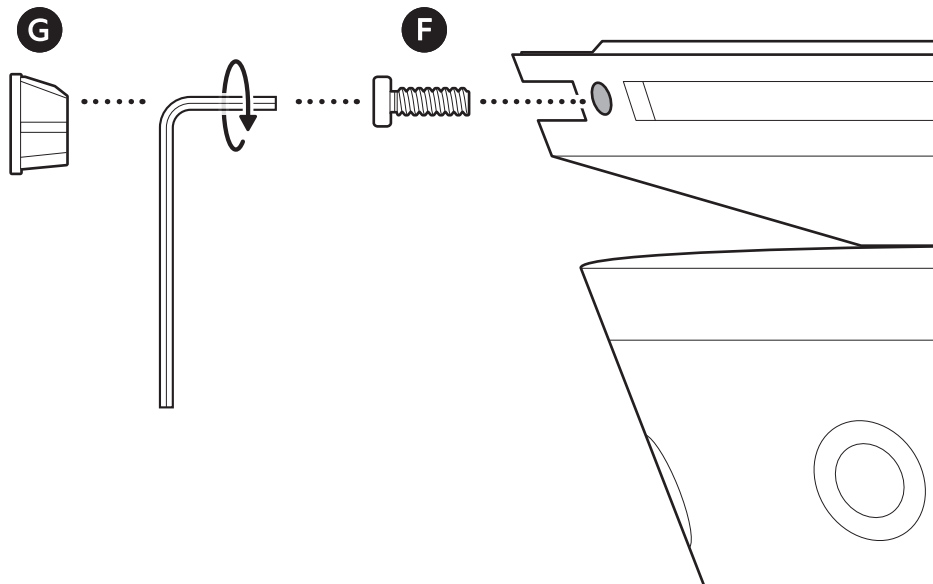
8.

Place the mounting cover over the mounting plate and rotate clockwise until you feel a click.



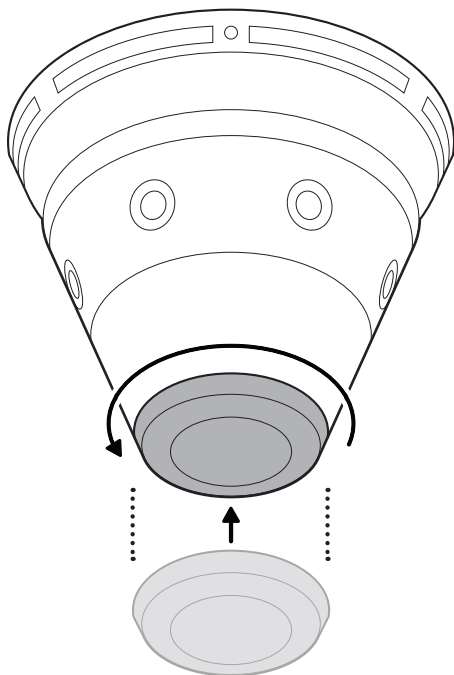
9.

Use the included L-shaped hex key, screws, and rubber caps to secure the mount cover onto the mounting plate.



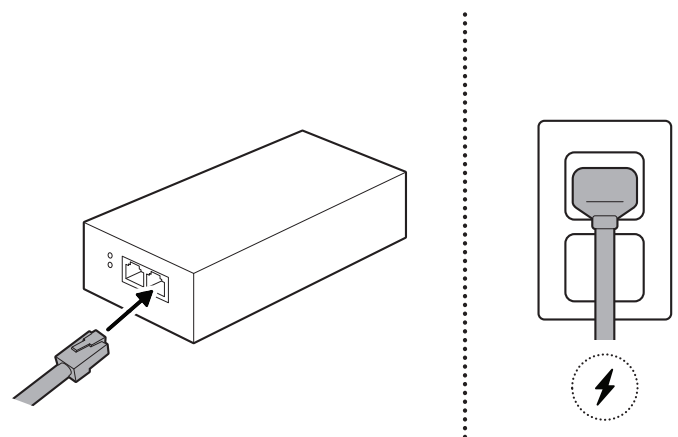
10.

Place the cable cover over the bottom of your camera and rotate counter-clockwise until you feel a click to secure.



11.

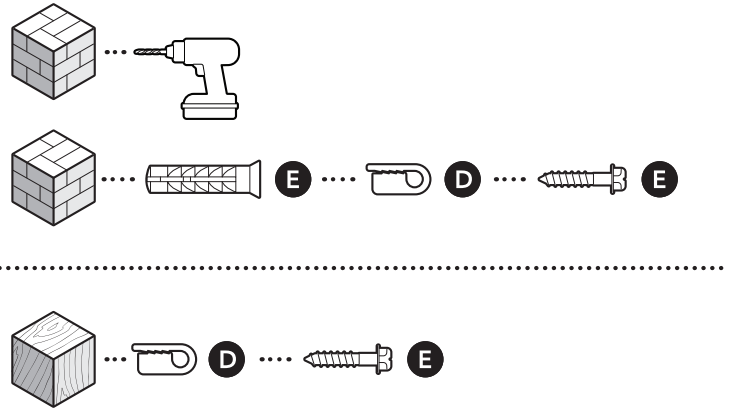
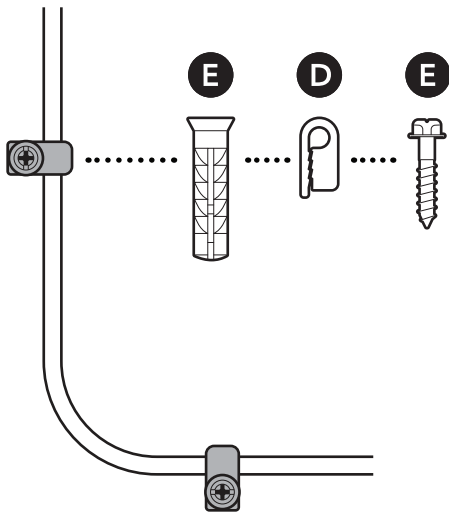
Plug the power adapter or other end of the Ethernet cable into an outlet or PoE Type 4 injector, respectively.



12.

Anchor the power cable to the wall or ceiling with the included cable clips, if necessary.

On stucco, brick, or concrete, use a 1/4 in (6 mm) masonry bit to drill holes for the included wall anchors.

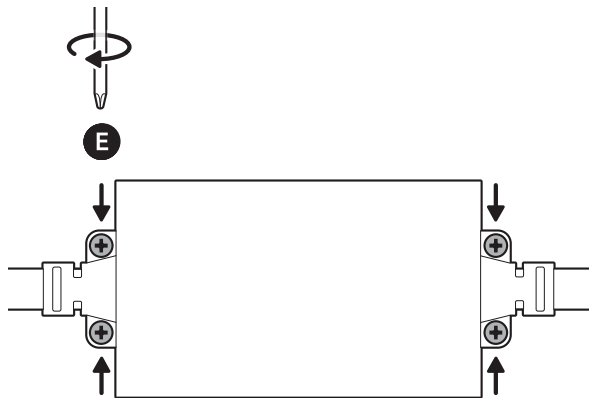


13.

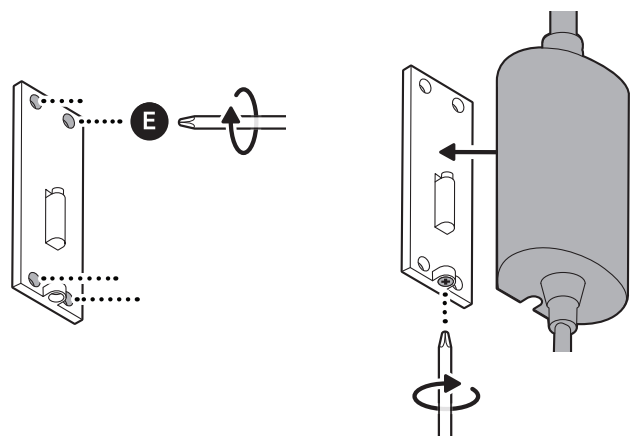
If using the power adapter, secure it to the wall with the included anchors and screws.

NOTE: If your adapter has a mounting plate, secure the mounting plate first, then attach the adapter to the mounting plate.

On stucco, brick, or concrete, use a 1/4 in (6 mm) masonry bit to drill holes for the included wall anchors.



OR





ring.com/contact



ring.com/help