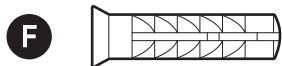
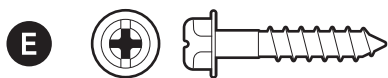
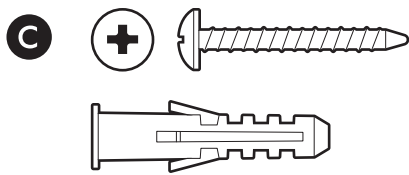
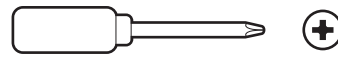


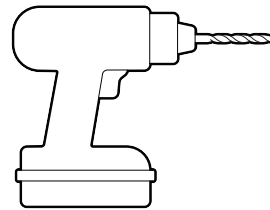
Hardware included



Tools needed



Phillips-head screwdriver



Drill with 1/4 in (6 mm) masonry bit (optional)

1.

Remove the protective wrap.



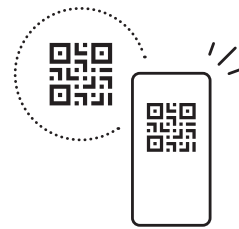
2.

Download the Ring app.



3.

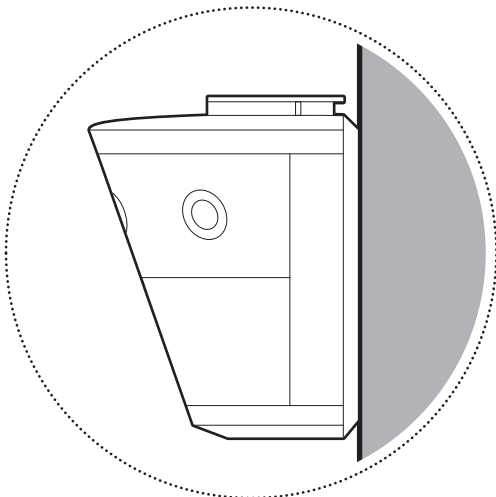
Scan the QR code on your device.



4.

Choose a location near an outlet or active PoE Type 4 injector.

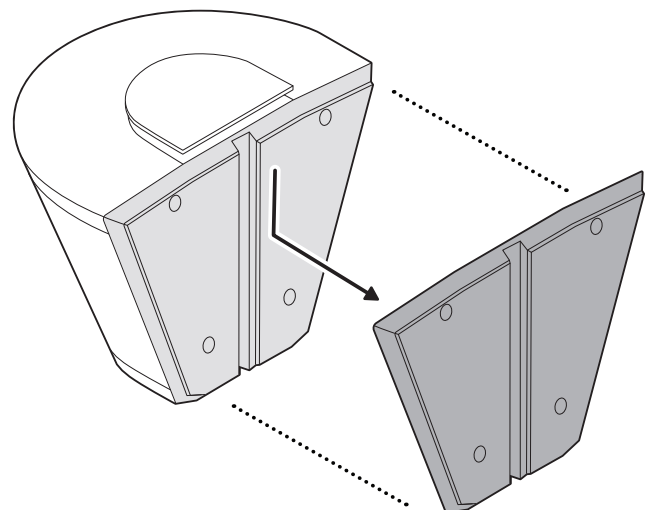
NOTE: If connecting to a PoE (Power over Ethernet) power source, ensure your PoE switch or injector is capable of PoE Type 4, active, and connected to a functioning Cat 6 or above Ethernet cable.



Wall installation

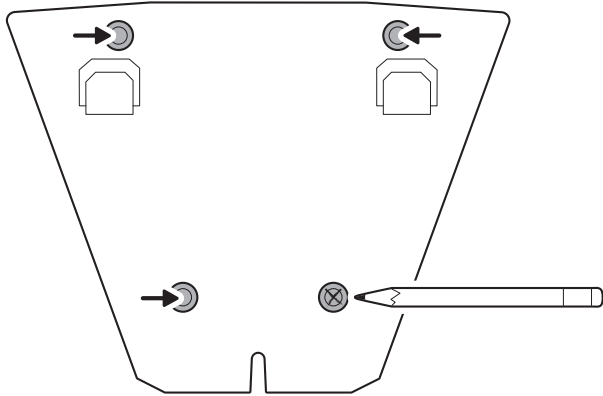
1.

Slide the mounting plate in the direction opposite to the UP arrow to remove.



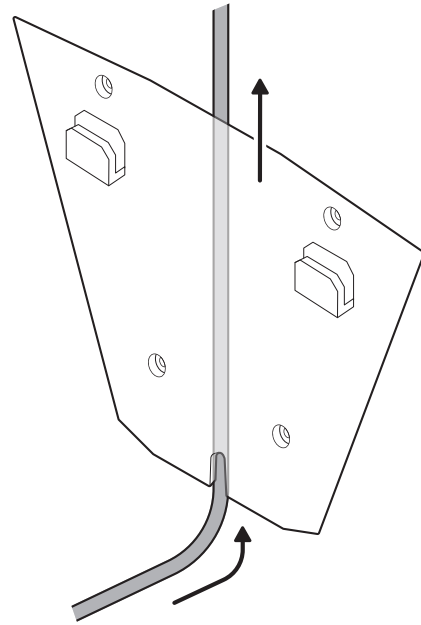
2.

Use the mounting plate as a guide to mark screw holes on the wall with 5.5 in (14 cm) of space in every direction.



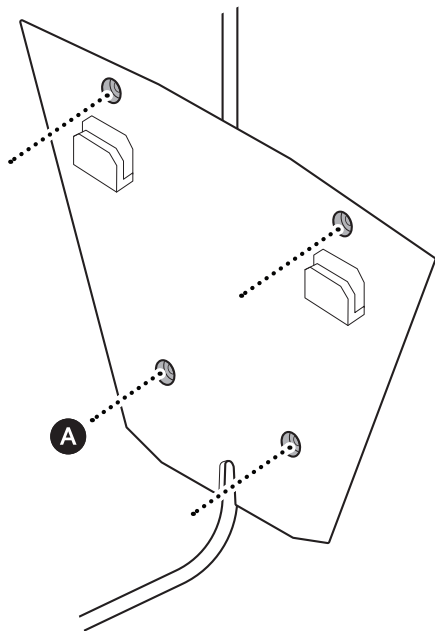
3.

Route the cable along the center groove of the mounting plate.

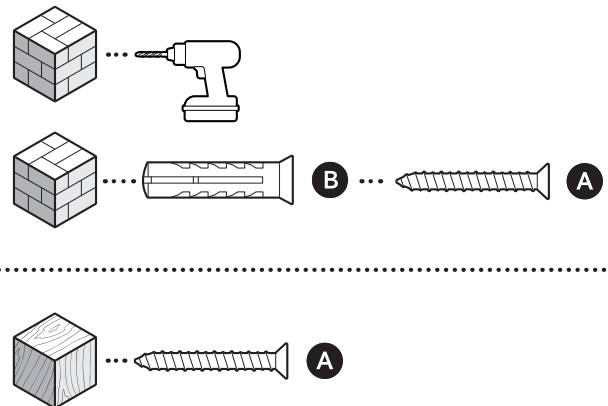


4.

Install the mounting plate with the UP arrow pointing up.

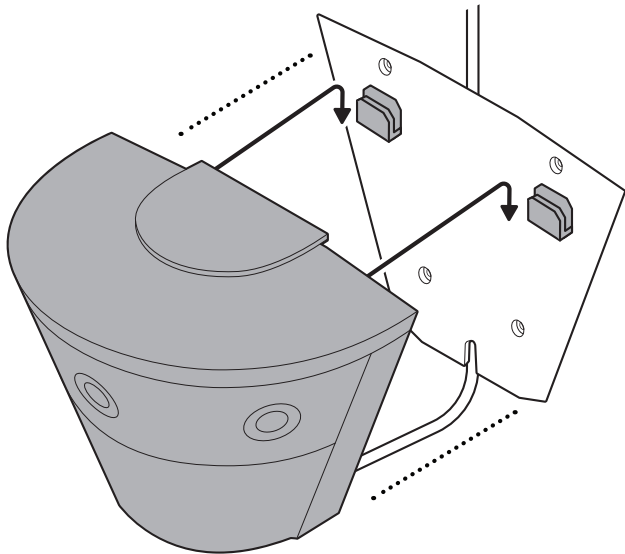


On stucco, brick, or concrete, use a 1/4 in (6 mm) masonry bit to drill holes for the included wall anchors.



5.

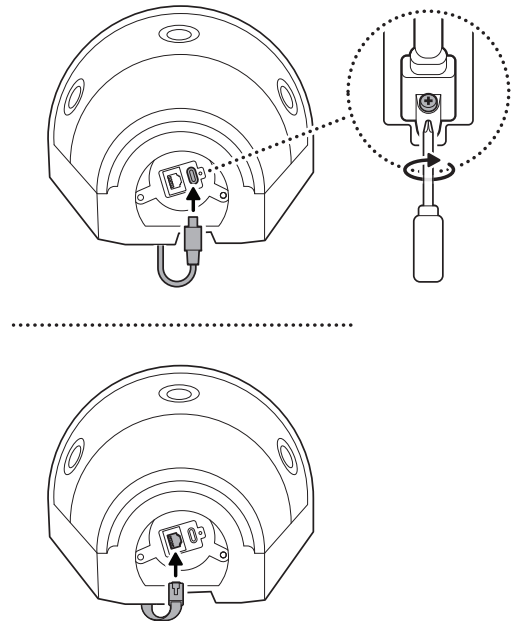
Secure your camera to the mounting plate by sliding until you feel a click.



6.

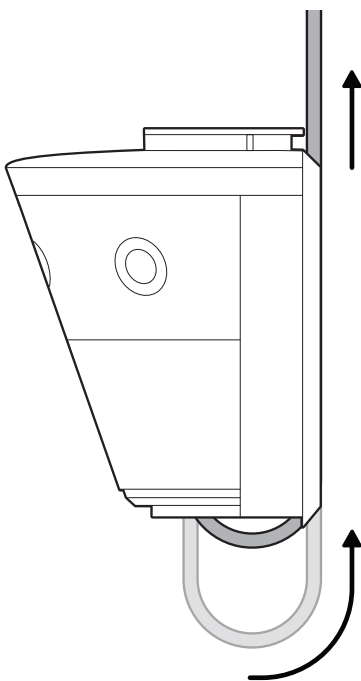
Plug the power or Ethernet cable into your camera.

NOTE: If using the USB-C cable, tighten the screw to secure it to your camera.



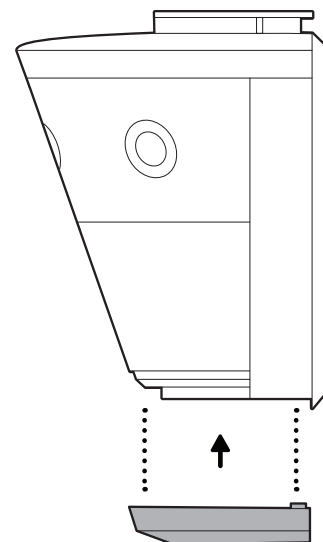
7.

Gently tug the cable to remove slack.



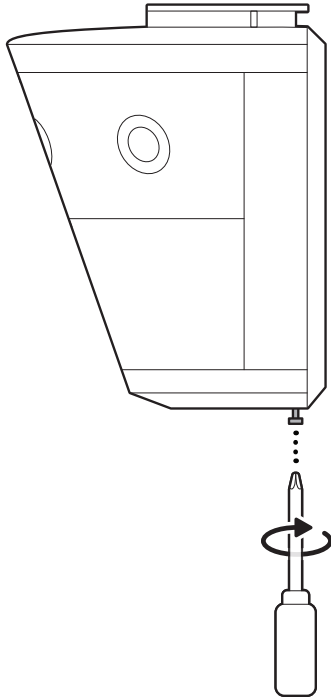
8.

Secure your camera to the mounting plate by sliding until you feel a click.



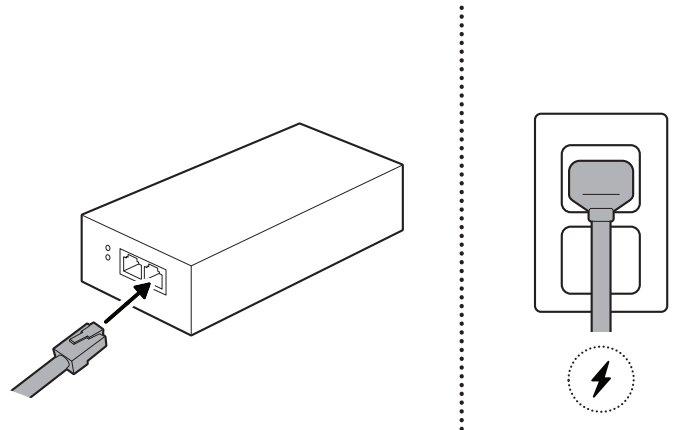
9.

Tighten the screw to secure.



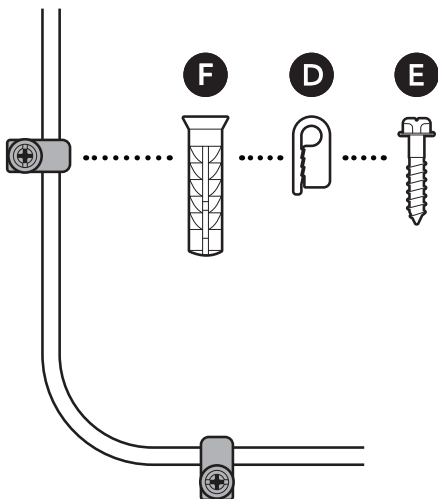
10.

Plug the power adapter or other end of the Ethernet cable into an outlet or PoE Type 4 injector, respectively.

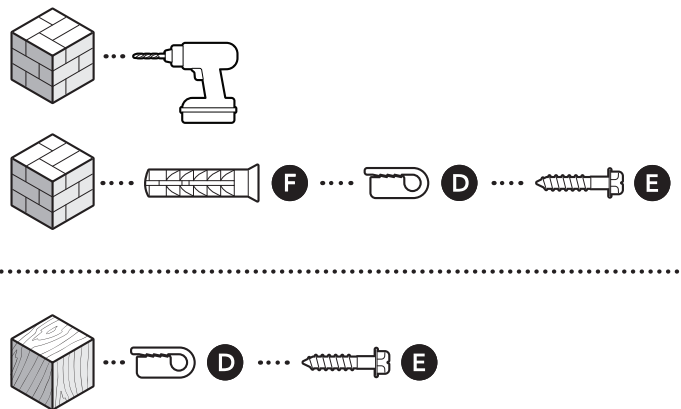


11.

Anchor the power or Ethernet cable to the wall or ceiling with the included cable clips, if necessary.



On stucco, brick, or concrete, use a 1/4 in (6 mm) masonry bit to drill holes for the included wall anchors.

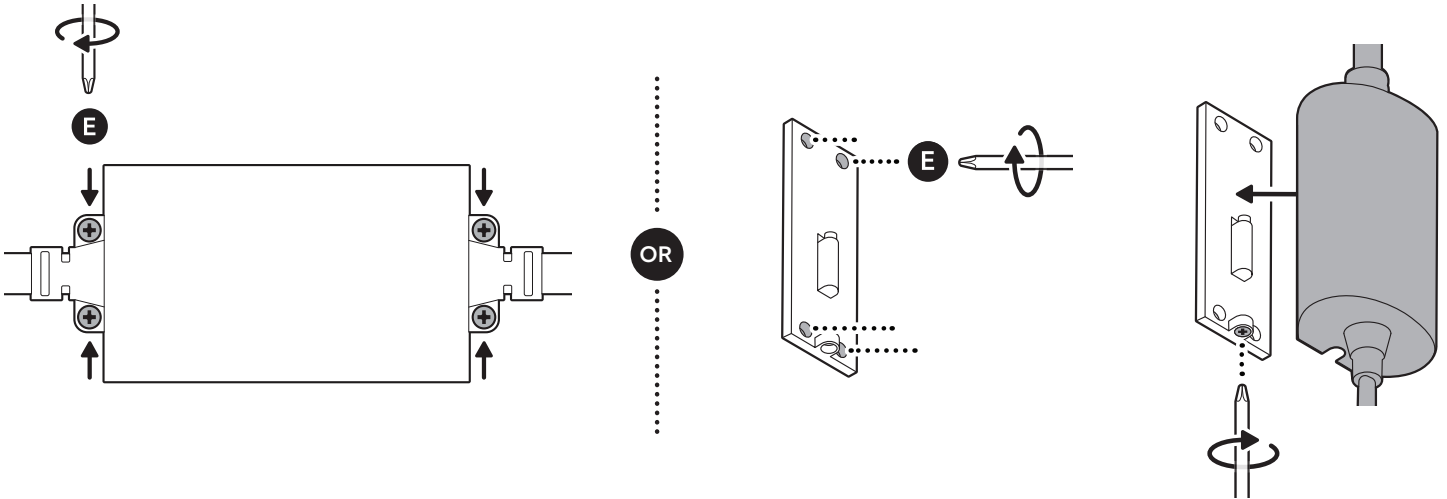


12.

If using the power adapter, secure it to the wall with the included anchors and screws.

NOTE: If your adapter has a mounting plate, secure the mounting plate first, then attach the adapter to the mounting plate.

On stucco, brick, or concrete, use a 1/4 in (6 mm) masonry bit to drill holes for the included wall anchors.

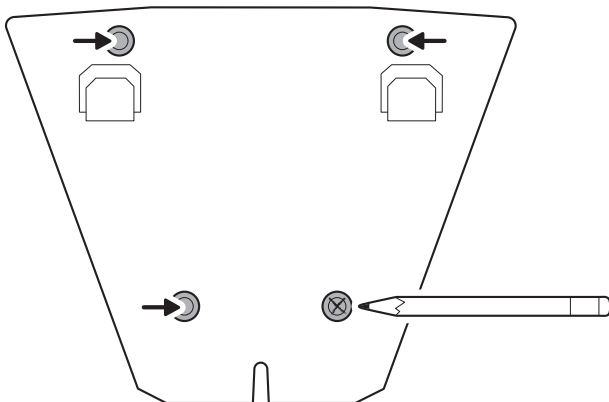


Tilt mount installation

1.

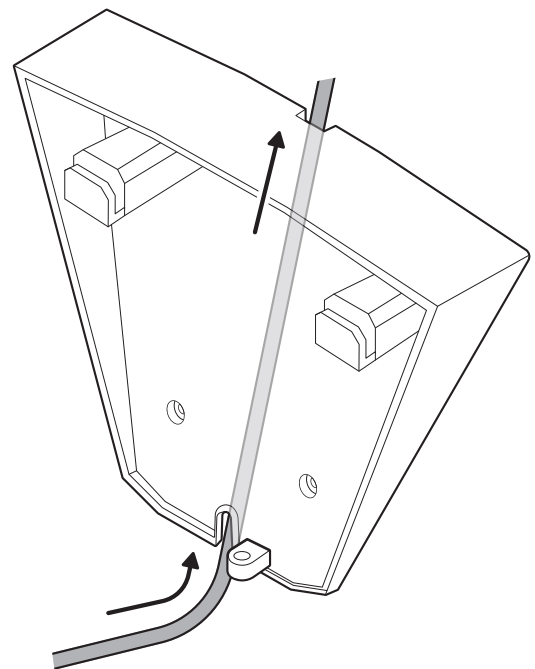
Use the mounting plate as a guide to mark screw holes on the wall with 5.5 in (14 cm) of space in every direction.

NOTE: Ensure the UP arrow is pointing up and the mounting plate is level.



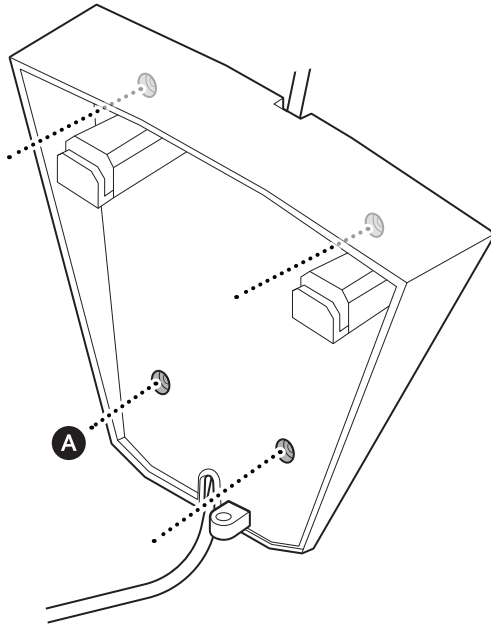
2.

If your power source is above the camera, route the cable down the center groove of the mounting plate.

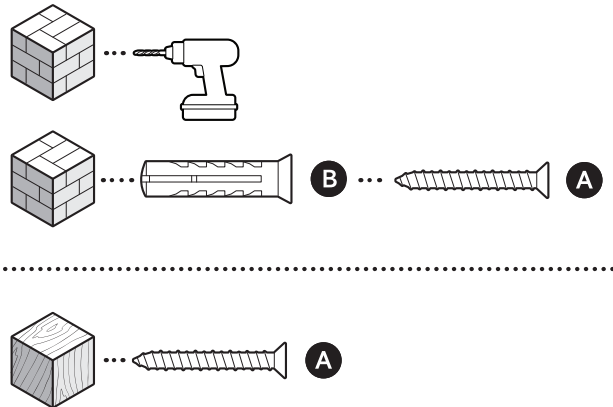


3.

Install the mounting plate with the UP arrow pointing up.

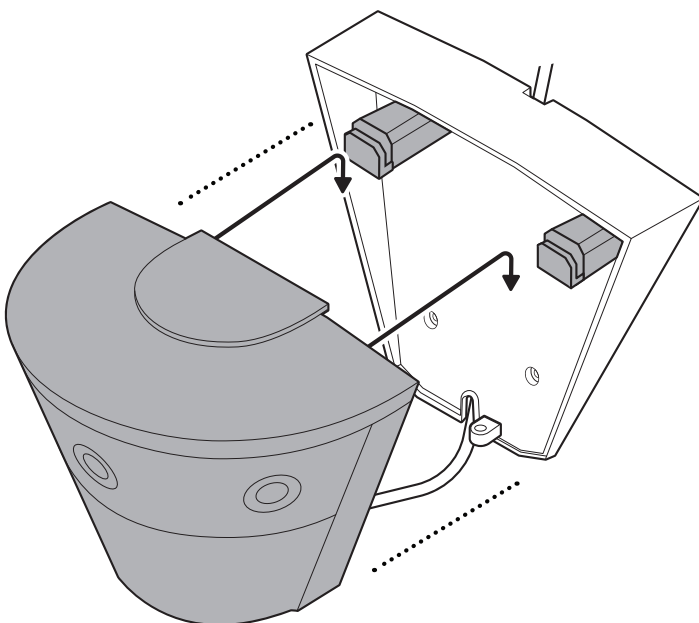


On stucco, brick, or concrete, use a 3/16 in (5 mm) masonry bit to drill holes for the included wall anchors.



4.

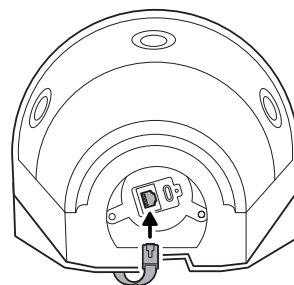
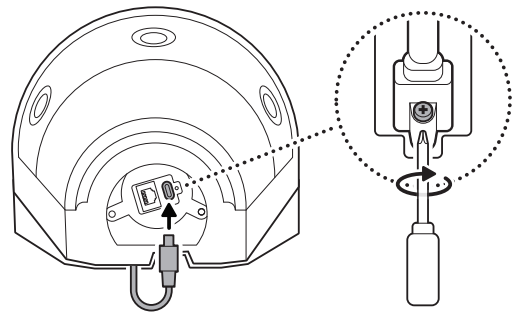
Secure your camera to the mounting plate by sliding until you feel a click.



5.

Plug the power or Ethernet cable into your camera.

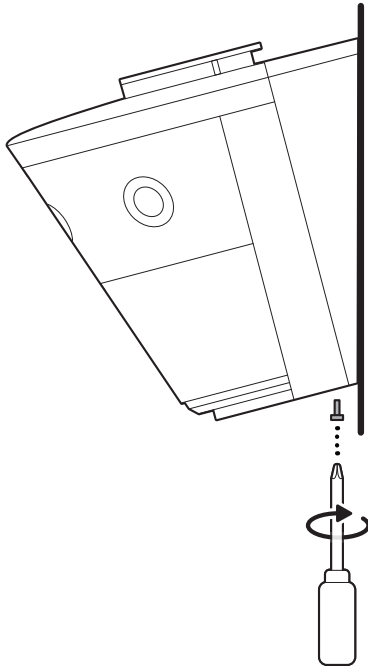
NOTE: If using the USB-C cable, tighten the screw to secure it to your camera.



6.

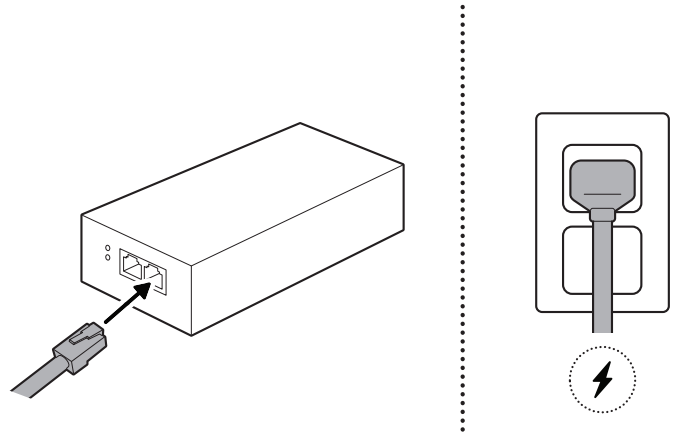
Tighten the screw to secure.

NOTE: Ensure the camera is secure and cannot be moved easily.



7.

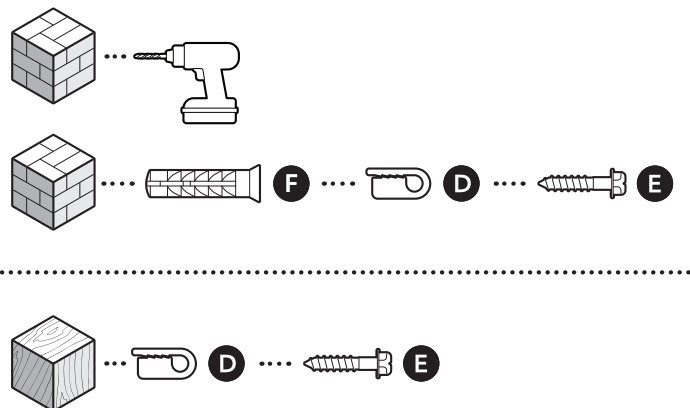
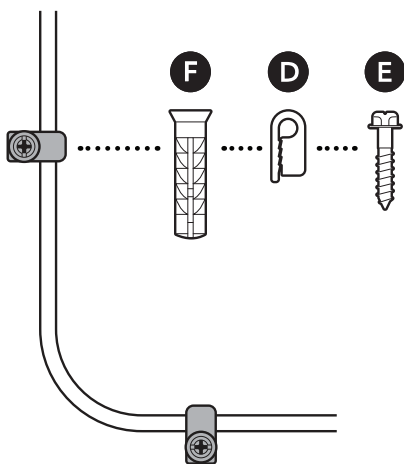
Plug the power adapter or other end of the Ethernet cable into an outlet or PoE Type 4 injector, respectively.



8.

Anchor the power or Ethernet cable to the wall or ceiling with the included cable clips, if necessary.

On stucco, brick, or concrete, use a 1/4 in (6 mm) masonry bit to drill holes for the included wall anchors.

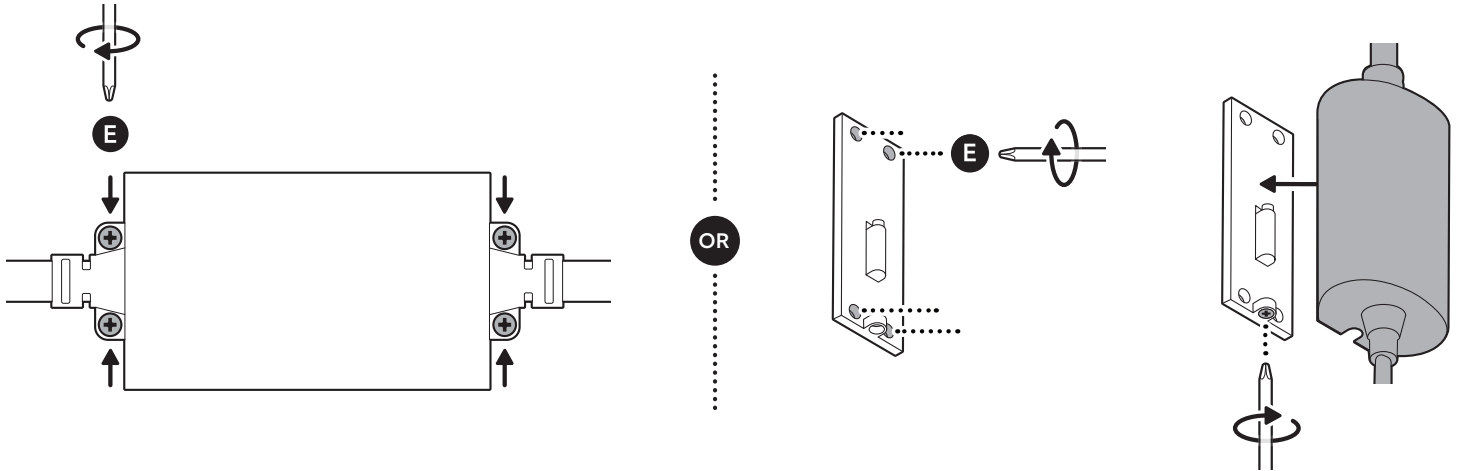


9.

If using the power adapter, secure it to the wall with the included anchors and screws.

NOTE: If your adapter has a mounting plate, secure the mounting plate first, then attach the adapter to the mounting plate.

On stucco, brick, or concrete, use a 1/4 in (6 mm) masonry bit to drill holes for the included wall anchors.



 ring.com/contact

 ring.com/help