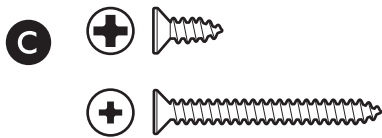
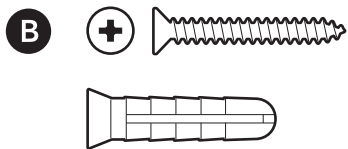
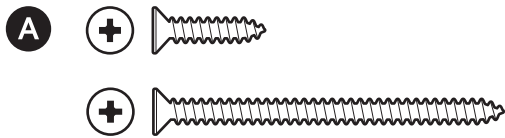
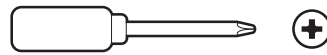


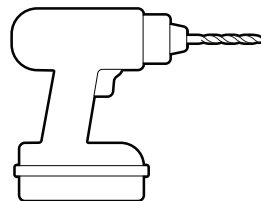
Hardware included



Tools needed



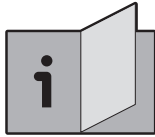
Phillips-head screwdriver



Drill with a 1/4 in (6 mm) masonry bit (optional)

1.

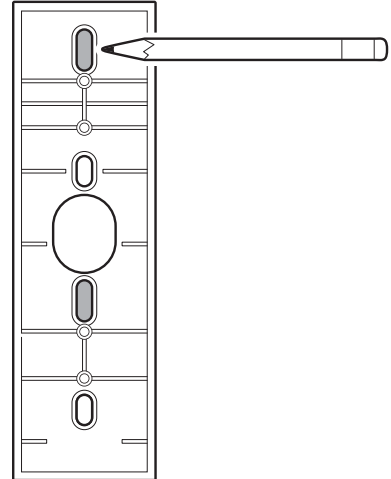
Refer to your doorbell setup guide to prepare your install location.



2.

Use the wedge mount as a guide to mark screw holes on the wall, if necessary.

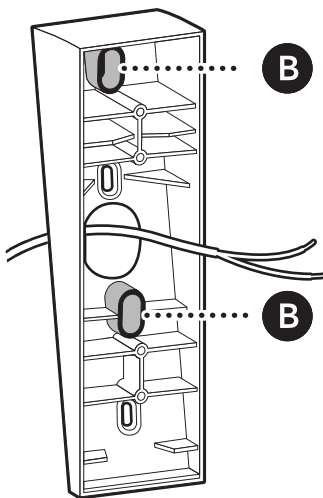
NOTE: Mark both top holes or both bottom holes, depending on your desired installation location.



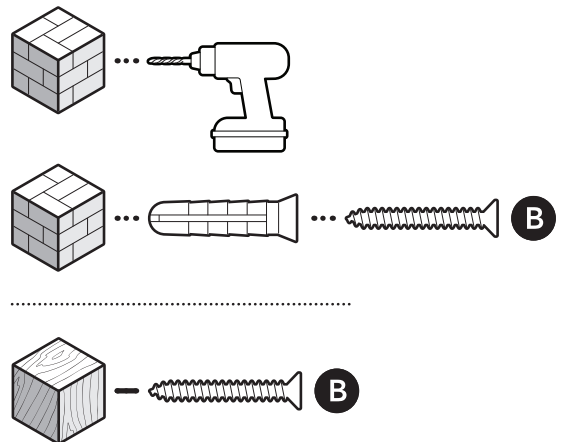
3.

Install the mount over your doorbell wires or on the wall with the included screws, ensuring it is facing down.

NOTE: If installing multiple wedge or corner mounts, skip to step 4.



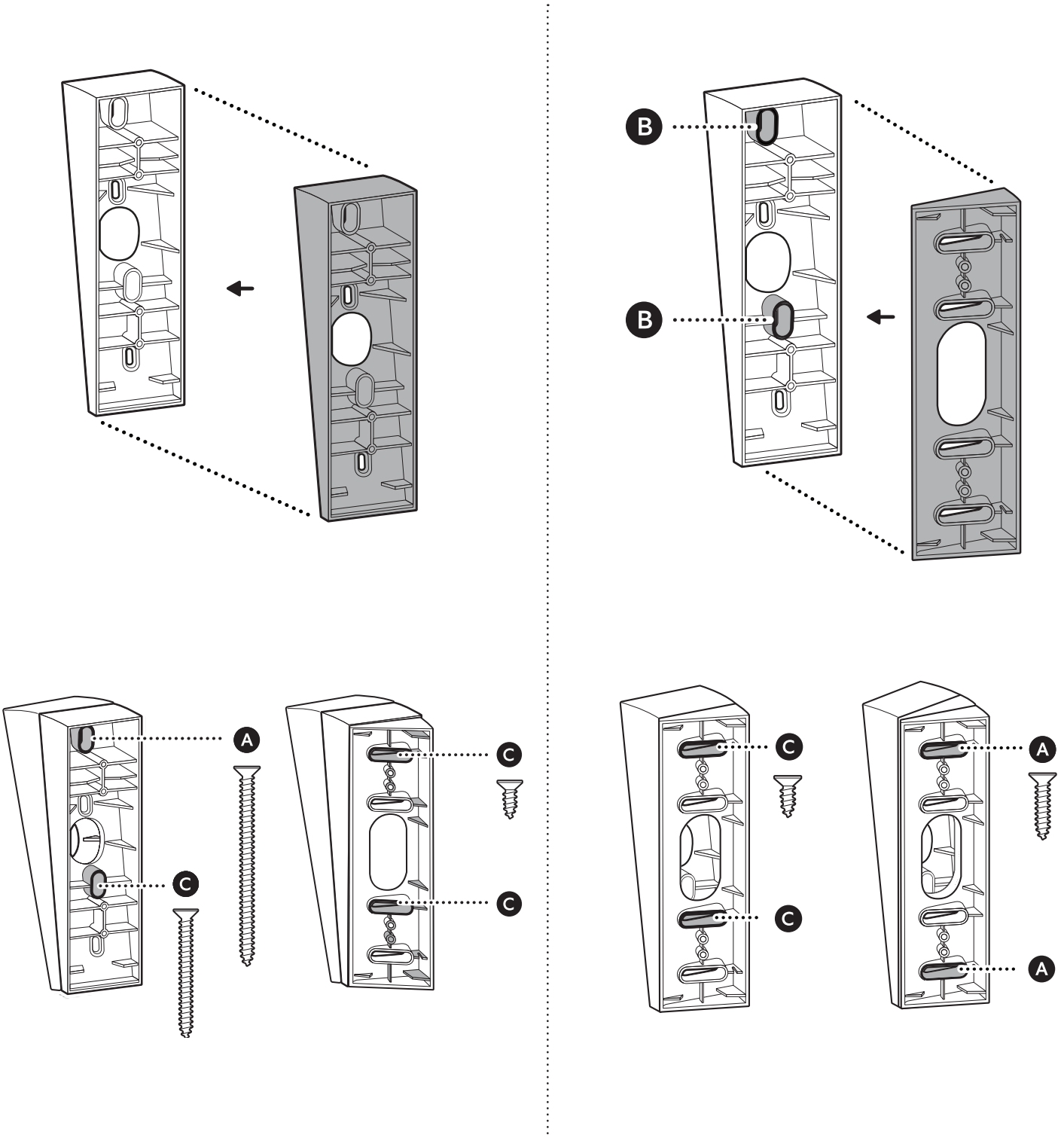
On stucco, brick, or concrete, use a 6 mm (1/4 in) masonry bit to drill holes for the included wall anchors.



4.

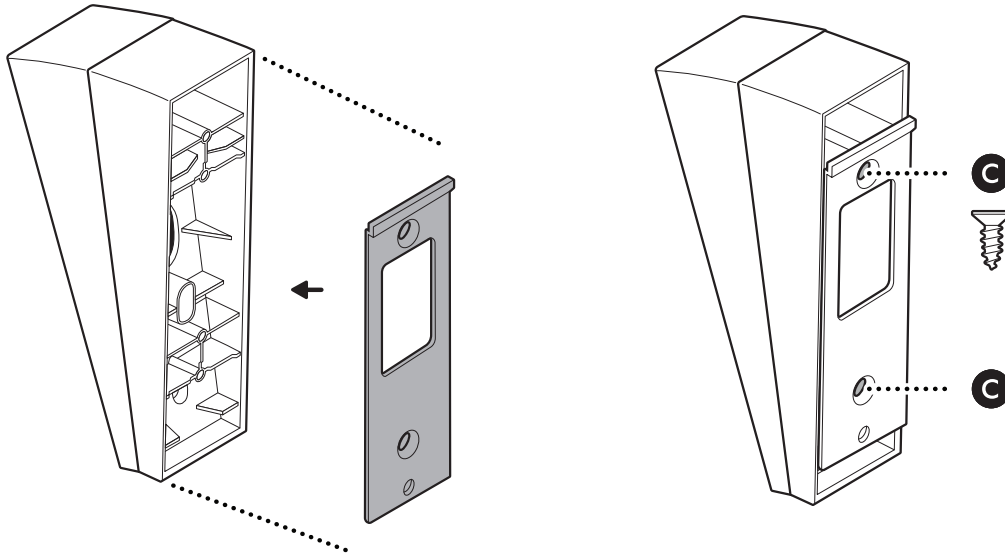
If installing multiple wedge or corner mounts, insert the included screws through both mounts to hold them together.

NOTE: We recommend installing a maximum of 2 wedges and 2 corners to maintain an optimal field of view. Installing more than 2 of the same accessory type may cause the mounting surface to block your doorbell's view.



5.

Attach your doorbell's mounting bracket over the mount.



6.

Refer to your doorbell setup guide to complete setup.



ring.com/contact



ring.com/help



Ring LLC 12515 Cerise Ave, Hawthorne, CA, 90250, USA

Ring LLC / Amazon EU S.à.r.l., 38 Avenue John F. Kennedy, L-1855 Luxembourg / Amazon UK, 1 Principal Place, Worship Street, London, EC2A 2FA, United Kingdom

アマゾンジャパン合同会社〒153-0064 東京都目黒区下目黒1-8-1

Ring LLC مبنی 12515 طریق سیریس، ہاوتورن، کالیفورنیا، 90250. الولايات المتحدة الأمريكية

©2026 Ring LLC or its affiliates. Ring and all related marks are trademarks of Ring LLC or its affiliates.

©2026 Ring LLC又はその関連会社。Ring及びこれらに関するすべての商標は、Ring LLC又はその関連会社の商標です。