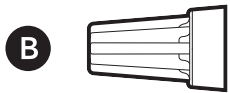
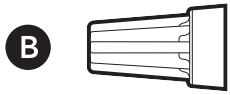
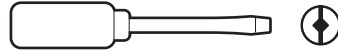


Hardware included



Tools needed



Flathead screwdriver

1.

Remove the protective wrap.



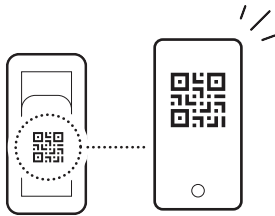
2.

Download the Ring app.



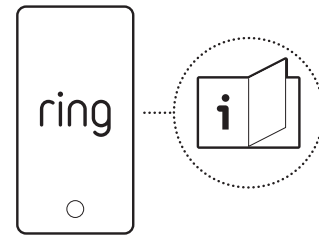
3.

Remove the faceplate and scan the QR code on your device.



4.

Follow in-app setup.



Installation

This product is compatible with a ceiling fan or paddle fan without a light only.

1.

Shut off power at the breaker.



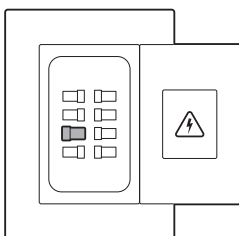
CAUTION!

Risk of electrical shock. High voltage. Disconnect power supply before servicing.

CAUTION!

You'll be working with electrical wires during the install process. If you encounter damaged or unsafe wiring, or if you are unsure, uncomfortable, or inexperienced, please consult with a licensed electrician.

NOTE: If you are unsure which breaker to flip, turn off the master breaker or contact a licensed electrician.

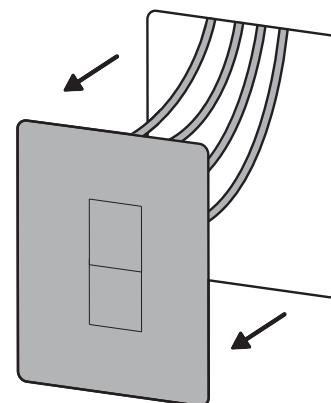


2.

Remove the existing wall plate, pull out the switch receptacle, and identify the Ground, Line, Neutral, and Load wires.

NOTICES

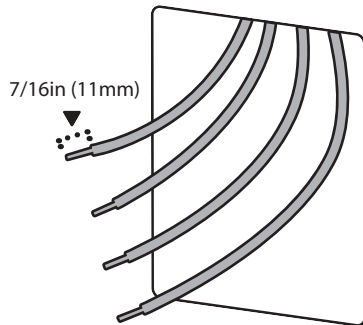
- To verify you have NEUTRAL wires, look for a bundle of white wires in the switch box.
- To identify the LOAD and LINE wires, turn on power at the circuit breaker, then use a tester to identify which side is connected to LINE (electrical panel) vs LOAD (fixture). Turn off the power again when you have finished identifying the wires.
- If any of the wires are missing, have different colors, or can't be identified, stop installation and contact a licensed electrician.



3.

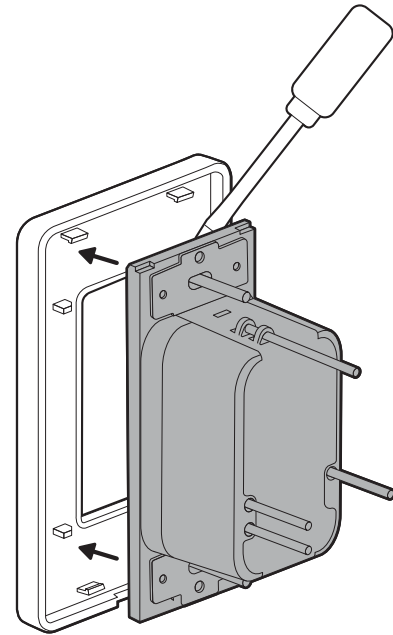
Disconnect the wires from your existing switch, then trim the exposed wire ends to 7/16 in (11 mm), if necessary.

NOTE: Ensure the ends of the wires from the wall box are straight (cut, if necessary). If you are unsure, contact a licensed electrician.



4.

Remove the switch's wall plate with a flathead screwdriver.

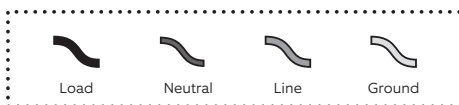
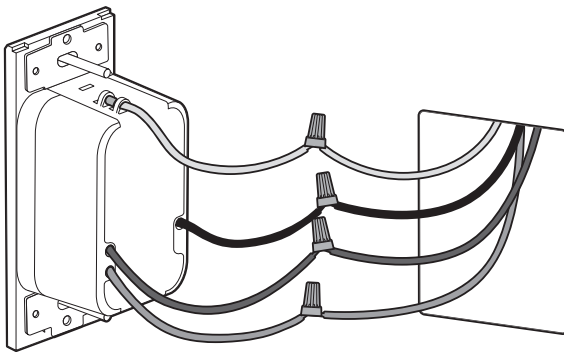


5.

Connect the wires with the included wire nuts.

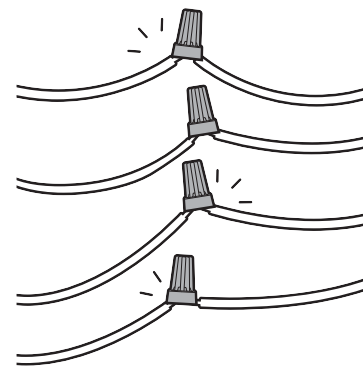
**CAUTION!**

Risk of fire. Use wires rated for at least 75°C supply connections. Use copper conductors only.



6.

Holding the wire nuts, gently pull each wire to ensure they are securely connected.

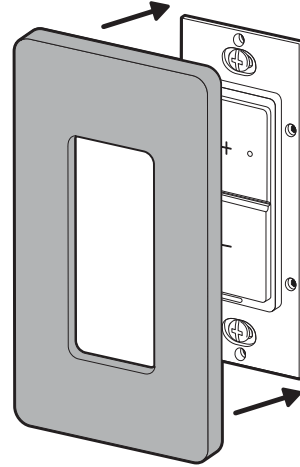
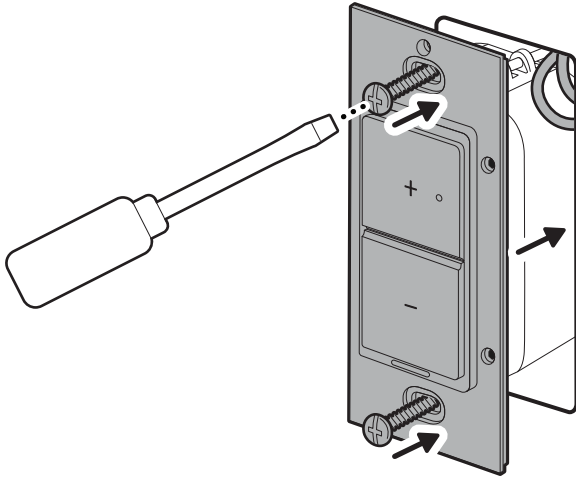


7.

Gently tuck the wires into the electrical box, secure the switch with screws, and reattach the wall plate.

**CAUTION!**

Install only in a suitable UL Listed outlet box.

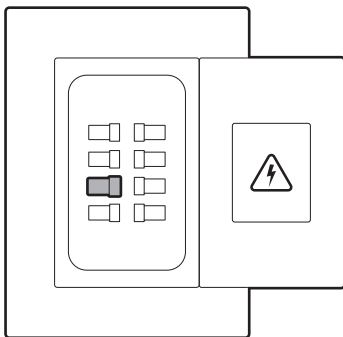


8.

Restore power at the breaker.

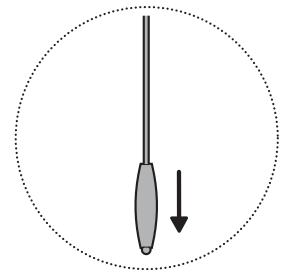
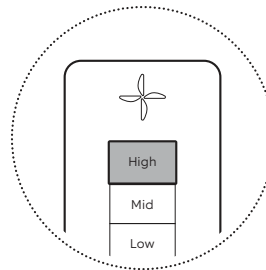
**CAUTION!**

Ensure that no bare wire is exposed outside wire nuts and verify that all wires are properly secured within the electrical box.



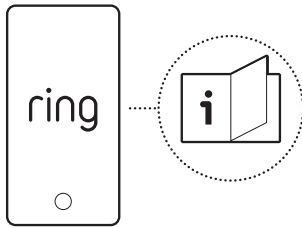
9.

Set your ceiling fan to High with your fan's remote or pull chains.



10.

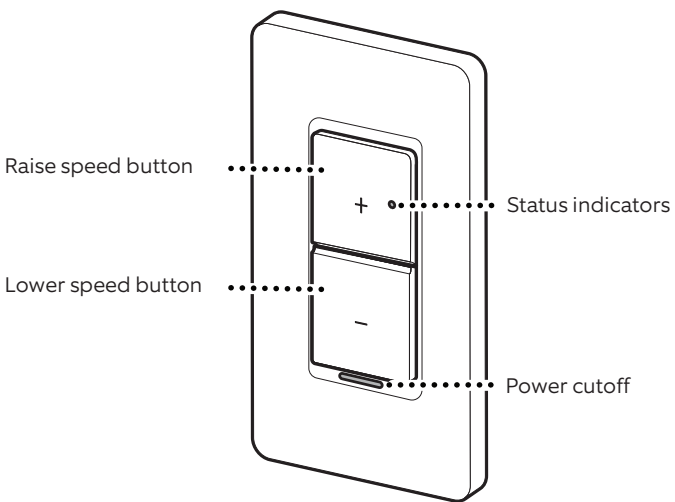
Complete setup in the Ring app.



Amazon Sidewalk-enabled device; requires Amazon Sidewalk coverage for use. Coverage may vary by location.

For Amazon Sidewalk information, visit ring.com/sidewalk

Parts overview



 ring.com/contact

 ring.com/help